

# DIN-Rail LED Dimming Driver

0~144...288W 0~12A 12~24V DC

- Dimming interface: DALI.
- PWM digital dimming, standard DALI logarithmic dimming curve.
- Dimming range: 0~100%, LED start at 0.1% possible.
- Max. current output: 12A.
- 0-10V output, DALI system compatible with 0-10V.
- Short circuit / Over load protection.
- Full protective plastic housing.
- DALI bus standard: IEC62386.
- Suitable for indoor environments.

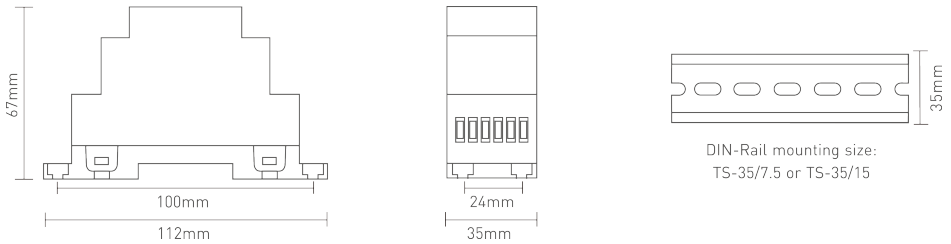


## Main Characteristics

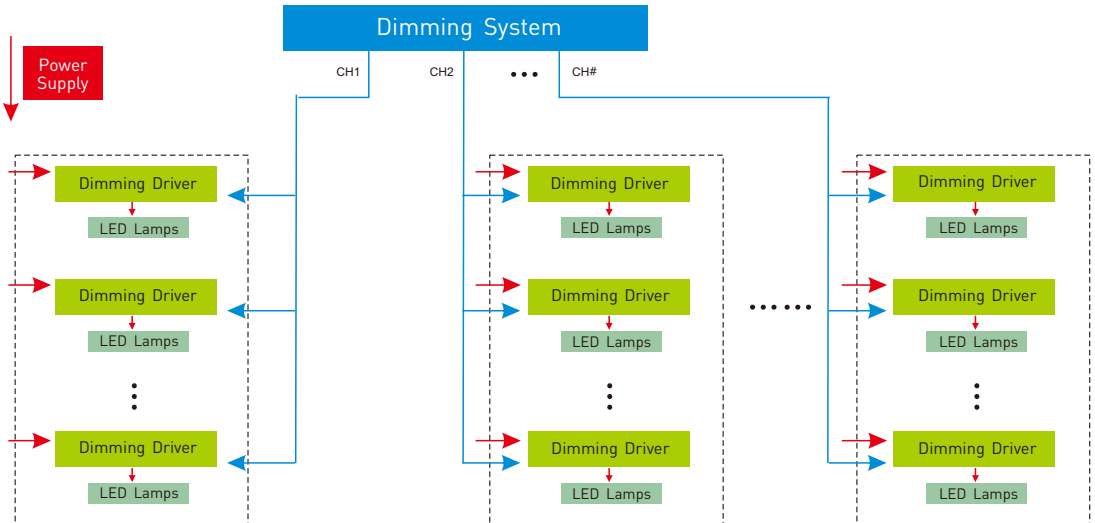
|                    |                                    |
|--------------------|------------------------------------|
| Dimming Interface: | DALI (IEC62386)                    |
| Input Voltage:     | 12~24V DC                          |
| Output Voltage:    | 12~24V DC                          |
| Output:            | 12A×1CH + 0-10V×1CH                |
| Max. Output Power: | 0-144W...288W                      |
| Dimming Range:     | 0~100%, LED start at 0.1% possible |

|                      |                   |
|----------------------|-------------------|
| Mounting:            | DIN-Rail or Screw |
| Working Temperature: | -30°C~55°C        |
| Product Size:        | L112×W35×H67(mm)  |
| Package Size:        | L114×W37×H70(mm)  |
| Weight(G.W.):        | 120g              |

## Dimensions



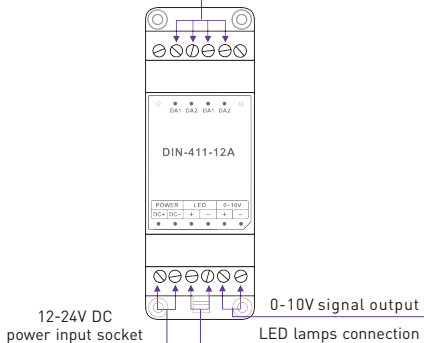
## System Connection Diagram:



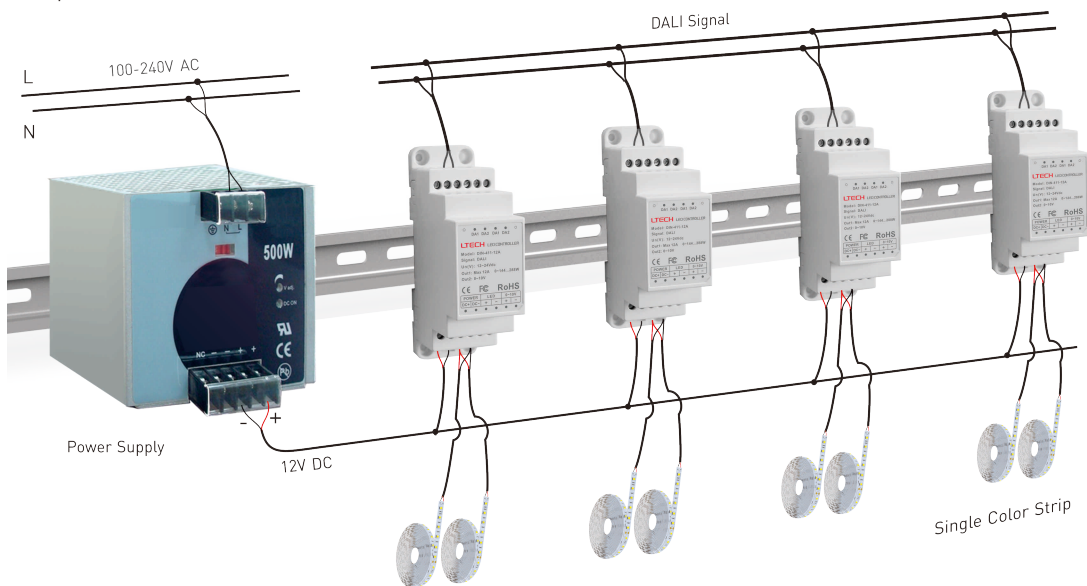


DALI bus no need distinguish plus-minus polarity.

Two groups of DALI signal socket



12V lamp connected, loads 0~144W(12V).



24V lamp connected, loads 0~288W(24V).

