



# LSX II Accessories

## P1 Desk Pad

### LSX II Accessories

Consisting of three models – the S1 (floor stand), the B1 (wall bracket) and the P1 (desk pad) – the LSX II Accessories family maximises the flexibility of LSX II, allowing for effortless integration into the listening environment whilst maximising performance. A mixture of premium materials, exquisite design and useful features come together to ensure that, whether out in the room, on a table or affixed to the wall, LSX II continues to deliver in style.

### P1 Desk Pad

Formed from high quality diecast aluminium and bonded directly to LSX II via the integrated mounting system, P1 desk pad is an ideal addition for LSX II when used as a desktop system or on a low television cabinet.



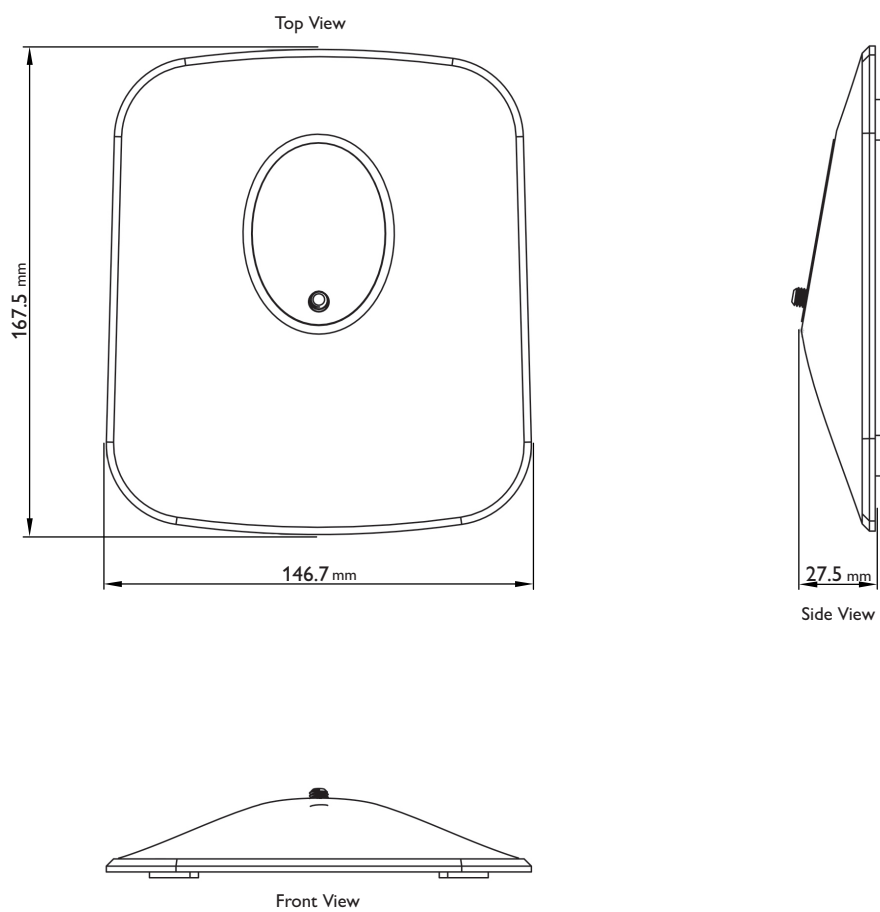
### Features:

- 1/4" screw mounting for use with LSX II
- Aluminium construction for rigidity and stability
- 10° upwards tilt
- Available finishes: Black / Silver



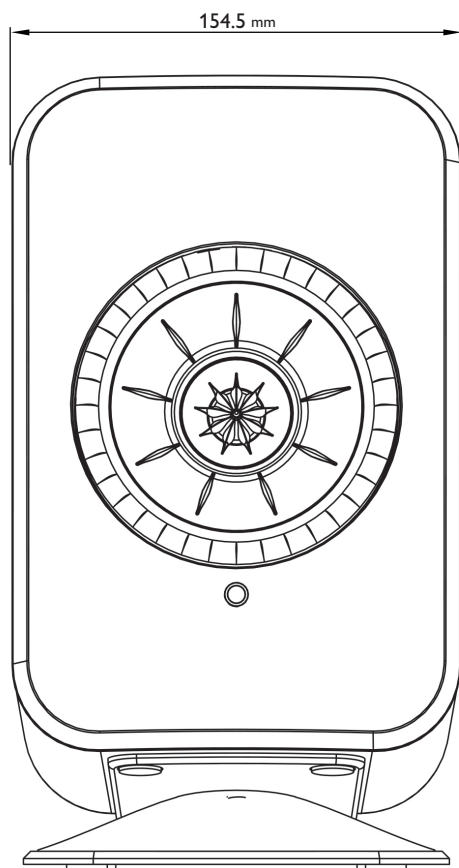


## Dimensions without LSX II speaker

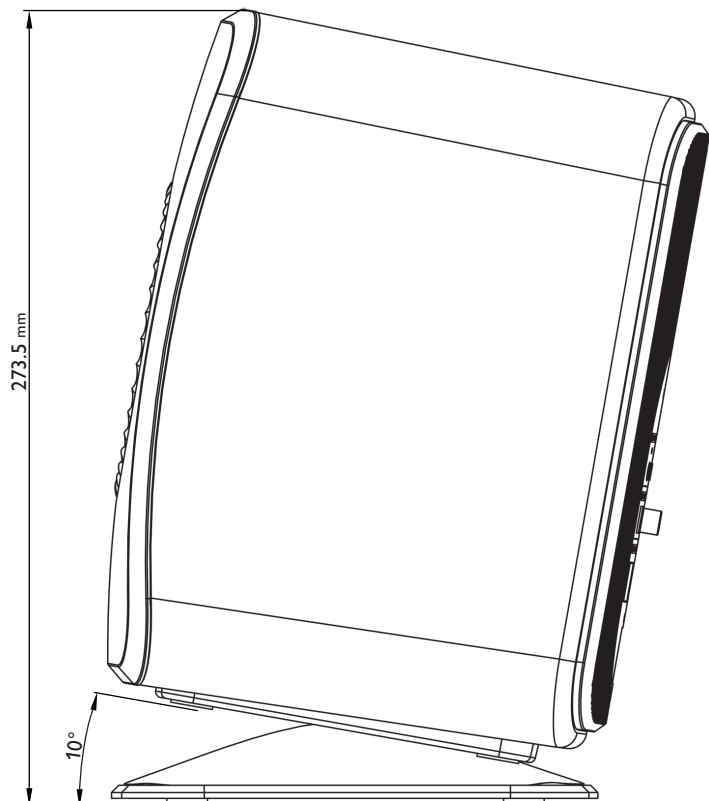




### Dimension with LSX II speaker



Front View



Side View

Visit: [KEF.com](https://www.kef.com) for more about KEF and its products.

KEF reserves the right, in line with continuing research and development, to amend or change specifications. E&OE.