

GIGABIT INTERNET OVER COAX ADAPTER



INCA 1G white SET

Article number 695020579

PRODUCT CATEGORY: 41

STATUS: AVAILABLE September 10th 2018



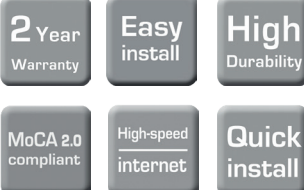
Product

GIGABIT INTERNET OVER COAX ADAPTER
INCA 1G white SET

For the expansion of the present coax network with High Speed Ethernet up to 1 Gbps. The two adapters can be used in combination with routers, gateways, ADSL and cable modems. Supports UHD and 3D video, gaming and High Speed network. The INCA 1G white is plug & play connectable to the existing coax cable. MoCA 2.0 compliant, also downwards compatible with MoCA 1.1. Suited for Smart TV, Blu-ray™ player, Xbox®, Playstation®, Apple TV®, DVR, NAS (network storage), desktop, VoIP, Video on Demand, laptop, etc. Manual included.



Properties



Certificates

Included

- Coax cable; IEC-male to IEC-female
- CAT 5E UTP cable RJ 45-RJ 45; 75 cm, color white
- Micro USB cable
- Manual
- Connection diagram

Tools

N/A

Instruction video

www.montagefilm.net

Instruction card

- www.install-your-catv.net
- <https://goo.gl/RFeBCj>

Mechanical Specifications

Dimensions hxxwx
165x250x1170 mm

Weight
0,800 kg

Colour
White

PRODUCTSHEET INCA 1G white SET

GIGABIT INTERNET OVER COAX ADAPTER

Specifications

Mechanical specifications

Cable Input	IEC-type, 75 Ohm
Loop through Output	IEC-type, 75 Ohm
Gigabit-Ethernet port	RJ 45
Dimensions	lx bxd 110x46x20 mm metal housing

Electrical specifications

Low pass	5-1250 MHz
Insertion loss	1 dB Max.
Return loss	10 dB Min.
High pass	1350-1675 MHz
Insertion loss	3 dB Max.
Return loss	10 dB Min.

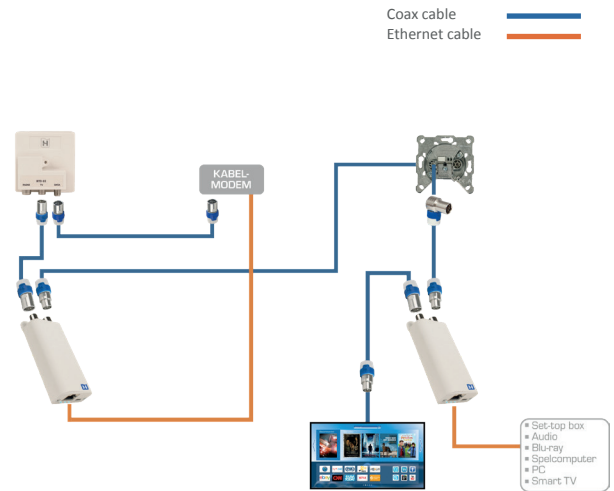
MoCA Band	D(LOW) or D(EXTD)
Channel bandwidth	50/100 MHz for MoCA 2.0
Throughput (MAC Rate)	Up to 1Gbps

MoCA Link Indicator	blue: MoCA Link Blinking blue: MoCA active
Ethernet Indicator	blue: link active Blinking blue: ethernet activity
Main input	Micro USB, 5 V DC
Power Consumption	<3 W

Regulation/Certification

CE Compliant	EMC / LVD
ROHS Compliant	

Wiring diagram



Related product - KOKA 9 Eca/20 m shop

Article number 695020554



Related product - QFC 5 shop

Article number 695021145



Related product - INCA USB shop

Article number 695020607



Contact

🏠 Pampuslaan 170
1382 JS WEESP

✉ info@hirschmann.nl

☎ NL 31 (0)294 46 25 55
BE 32 (0)2 46 13 095

🌐 www.linkedin.com/company/hirschmann-multimedia

📘 www.facebook.com/hirschmann.multimedia

📺 www.youtube.com/HirschmannMultimedia

Hirschmann Multimedia B.V.

Hirschmann Multimedia B.V. is an international knowledge company and manufacturer, located in Weesp - The Netherlands. Hirschmann Multimedia focusses on leading the market by being innovative, flexible and renewing.

Hirschmann Multimedia Products (HMP):

Hirschmann Multimedia Products provides smart multimedia solutions for your home, for coaxial installations and data networks, or access via satellite. In addition to the Dutch and Belgian market, the rest of Europe is provided with high-quality CAI/IP components through qualified sales channels.