

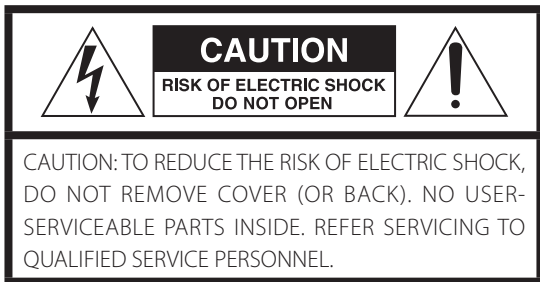
ESOTERIC

G-05

Master Clock Generator

OWNER'S MANUAL.....	3
MODE D'EMPLOI.....	15
MANUAL DEL USUARIO.....	27

IMPORTANT SAFETY INSTRUCTIONS



The lightning flash with arrowhead symbol, within an equilateral triangle, is intended to alert the user to the presence of uninsulated "dangerous voltage" within the product's enclosure that may be of sufficient magnitude to constitute a risk of electric shock to persons.



The exclamation point within an equilateral triangle is intended to alert the user to the presence of important operating and maintenance (servicing) instructions in the literature accompanying the appliance.

WARNING: TO PREVENT FIRE OR SHOCK HAZARD, DO NOT EXPOSE THIS APPLIANCE TO RAIN OR MOISTURE.

CAUTION

- DO NOT REMOVE THE EXTERNAL CASES OR CABINETS TO EXPOSE THE ELECTRONICS. NO USER SERVICEABLE PARTS ARE INSIDE.
- IF YOU ARE EXPERIENCING PROBLEMS WITH THIS PRODUCT, CONTACT THE STORE WHERE YOU PURCHASED THE UNIT FOR A SERVICE REFERRAL. DO NOT USE THE PRODUCT UNTIL IT HAS BEEN REPAIRED.
- USE OF CONTROLS OR ADJUSTMENTS OR PERFORMANCE OF PROCEDURES OTHER THAN THOSE SPECIFIED HEREIN MAY RESULT IN HAZARDOUS RADIATION EXPOSURE.

- 1) Read these instructions.
- 2) Keep these instructions.
- 3) Heed all warnings.
- 4) Follow all instructions.
- 5) Do not use this apparatus near water.
- 6) Clean only with dry cloth.
- 7) Do not block any ventilation openings. Install in accordance with the manufacturer's instructions.
- 8) Do not install near any heat sources such as radiators, heat registers, stoves, or other apparatus (including amplifiers) that produce heat.
- 9) Do not defeat the safety purpose of the polarized or grounding-type plug. A polarized plug has two blades with one wider than the other. A grounding type plug has two blades and a third grounding prong. The wide blade or the third prong are provided for your safety. If the provided plug does not fit into your outlet, consult an electrician for replacement of the obsolete outlet.
- 10) Protect the power cord from being walked on or pinched particularly at plugs, convenience receptacles, and the point where they exit from the apparatus.

11) Only use attachments/accessories specified by the manufacturer.

12) Use only with the cart, stand, tripod, bracket, or table specified by the manufacturer, or sold with the apparatus. When a cart is used, use caution when moving the cart/apparatus combination to avoid injury from tip-over.



13) Unplug this apparatus during lightning storms or when unused for long periods of time.

14) Refer all servicing to qualified service personnel. Servicing is required when the apparatus has been damaged in any way, such as power-supply cord or plug is damaged, liquid has been spilled or objects have fallen into the apparatus, the apparatus has been exposed to rain or moisture, does not operate normally, or has been dropped.

- The apparatus draws nominal non-operating power from the AC outlet with its POWER or STANDBY/ON switch not in the ON position.
- The mains plug is used as the disconnect device; the disconnect device shall remain readily operable.
- Caution should be taken when using earphones or headphones with the product because excessive sound pressure (volume) from earphones or headphones can cause hearing loss.

WARNING

Products with Class **I** construction are equipped with a power supply cord that has a grounding plug. The cord of such a product must be plugged into an AC outlet that has a protective grounding connection.

IN USA/CANADA, USE ONLY ON 120V SUPPLY.

CAUTION

- Do not expose this apparatus to drips or splashes.
- Do not place any objects filled with liquids, such as vases, on the apparatus.
- Do not install this apparatus in a confined space such as a book case or similar unit.
- The apparatus should be located close enough to the AC outlet so that you can easily reach the power cord plug at any time.
- If the product uses batteries (including a battery pack or installed batteries), they should not be exposed to sunshine, fire or excessive heat.
- CAUTION for products that use replaceable lithium batteries: there is danger of explosion if a battery is replaced with an incorrect type of battery. Replace only with the same or equivalent type.

Supplier's Declaration of Conformity

Model number: G-05

Trade name: ESOTERIC

Responsible party: 11 Trading Company, LLC

Address: 3502 Woodview Trace #200 Indianapolis, IN 46268 U.S.A.

URL: <https://11tradingcompany.com/contact-us/>

This device complies with Part.15 of FCC Rules.

Operation is subject to the following two conditions:

- 1) This device may not cause harmful interference
- 2) This device must accept any interference received, including interference that may cause undesired operation.



Information

This equipment has been tested and found to comply with the limits for a Class B digital device, pursuant to Part 15 of the FCC Rules. These limits are designed to provide reasonable protection against harmful interference in a residential installation. This equipment generates, uses, and can radiate radio frequency energy and, if not installed and used in accordance with the instructions, may cause harmful interference to radio communications. However, there is no guarantee that interference will not occur in a particular installation. If this equipment does cause harmful interference to radio or television reception, which can be determined by turning the equipment off and on, the user is encouraged to try to correct the interference by one or more of the following measures:

- Reorient or relocate the equipment and/or the receiving antenna.
- Increase the separation between the equipment and receiver.
- Connect the equipment into an outlet on a circuit different from that to which the receiver is connected.
- Consult the dealer or an experienced radio/TV technician for help.

CAUTION

Changes or modifications not expressly approved by the party responsible for compliance could void the user's authority to operate the equipment.

Model for Canada

This Class B digital apparatus complies with Canadian ICES-003.

Model for Europe



This product complies with the European Directives request, and the other Commission Regulations.

Model for UK

This product complies with the applicable UK regulations.



For European Customers

Disposal of electrical and electronic equipment and batteries and/or accumulators

- a) All electrical/electronic equipment and waste batteries/accumulators should be disposed of separately from the municipal waste stream via collection facilities designated by the government or local authorities.
- b) By disposing of electrical/electronic equipment and waste batteries/accumulators correctly, you will help save valuable resources and prevent any potential negative effects on human health and the environment.
- c) Improper disposal of waste electrical/electronic equipment and batteries/accumulators can have serious effects on the environment and human health because of the presence of hazardous substances in the equipment.
- d) The Waste Electrical and Electronic Equipment (WEEE) symbols, which show wheeled bins that have been crossed out, indicate that electrical/electronic equipment and batteries/accumulators must be collected and disposed of separately from household waste. If a battery or accumulator contains more than the specified values of lead (Pb), mercury (Hg), and/or cadmium (Cd) as defined in the Battery Directive (2006/66/EC, 2013/56/EU), then the chemical symbols **Pb, Hg, Cd** for those elements will be indicated beneath the WEEE symbol.
- e) Return and collection systems are available to end users. For more detailed information about the disposal of old electrical/electronic equipment and waste batteries/accumulators, please contact your city office, waste disposal service or the shop where you purchased the equipment.



Contents

Thank you for purchasing this ESOTERIC product.

Read this manual carefully to get the best performance from this product. After reading it, keep it in a safe place with the warranty card for future reference.

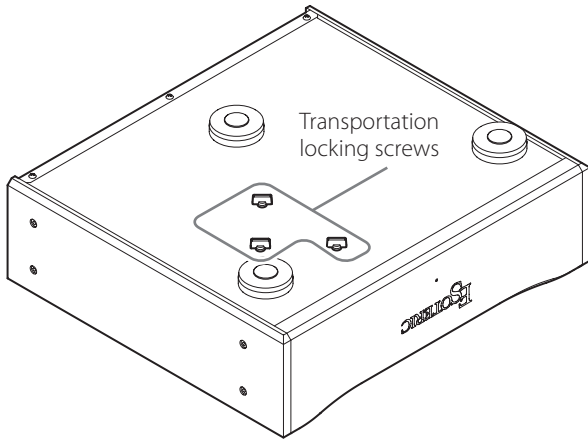
IMPORTANT SAFETY INSTRUCTIONS	3
About the transportation locking screws.....	6
Before use	7
Connections.....	8
Names and functions of parts.....	10
Basic operation	11
Troubleshooting.....	11
Maintenance	12
Specifications.....	12
Dimensional drawings.....	13

ESOTERIC is a trademark of TEAC CORPORATION, registered in the U.S. and other countries.

Other company names, product names and logos in this document are the trademarks or registered trademarks of their respective owners.

About the transportation locking screws

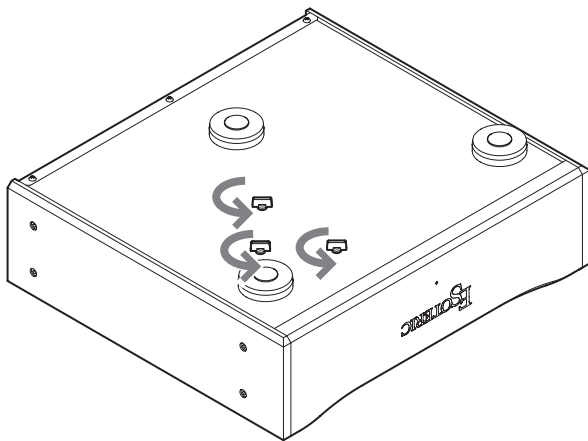
For the purpose of improving the sound quality, G-05 is structured so that the crystal oscillator (OCXO) unit attachment has some play. For this reason, before shipment from the factory, transportation locking screws have been attached through the bottom of the unit to protect the crystal oscillator (OCXO) unit from vibration during transportation.



Before installing the unit

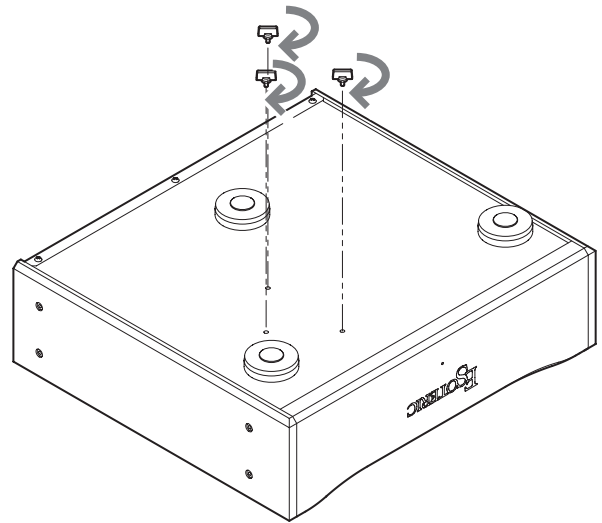
Before installing the unit, remove the three transportation locking screws.

- Save the transportation locking screws in a safe place because you will need to reattach them before transporting the unit in the future.



Before transporting the unit

Before transporting the unit, reattach the three transportation locking screws removed when the unit was installed.



Included accessories

Check to be sure the box includes all the supplied accessories shown below. Please contact the store where you purchased this product if any of these accessories are missing or have been damaged during transportation.

- Power cord × 1
- Felt pads × 3
- Owner's manual (this document) × 1
- Warranty card × 1

Note about placement

The steel cone-shaped feet are attached loosely so they effectively disperse vibrations after placement.

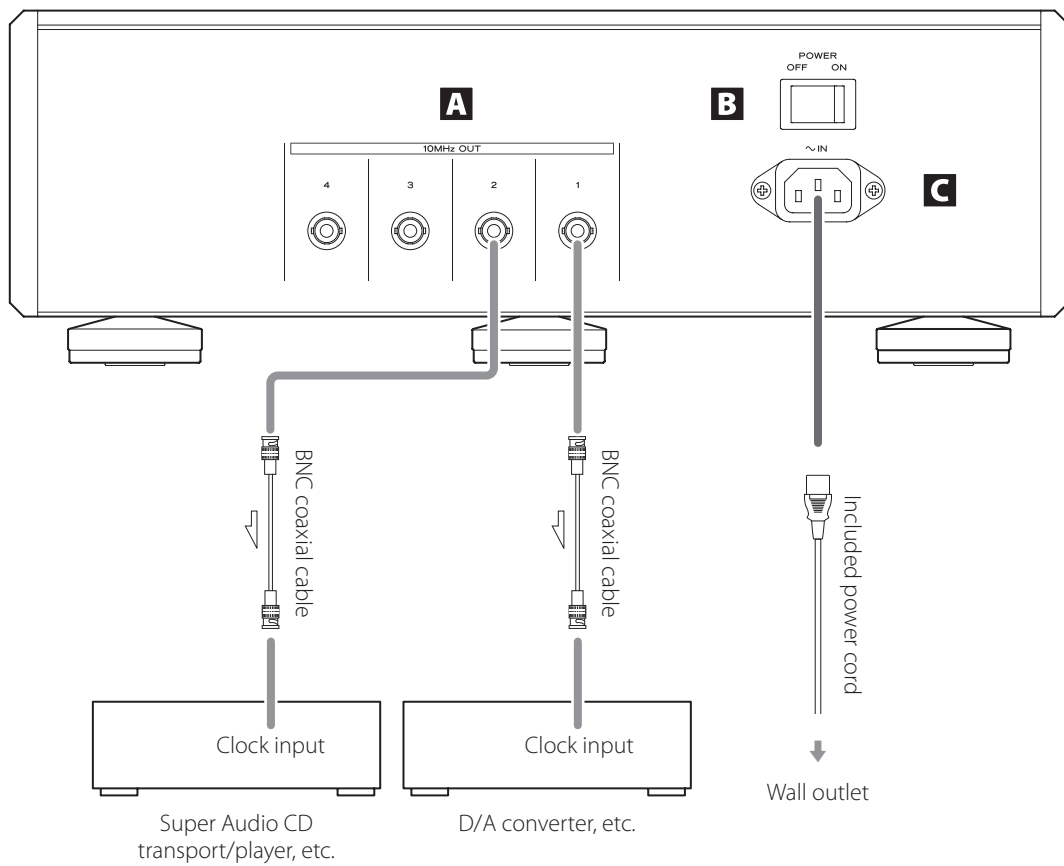
- Apply the included felt pads to the bottoms of the foot-stands to avoid scratching the surface where the unit is placed.

Precautions for use

- Do not install this unit in a location that could become hot. This includes places that are exposed to direct sunlight or near a radiator, heater, stove or other heating equipment. Moreover, do not place it on top of an amplifier or other equipment that generates heat. Doing so could cause discoloration, deformation or malfunction.
- In order to enable good heat dissipation, leave at least 20 cm (8") between this unit and walls and other equipment when installing it. If you put it in a rack, for example, leave at least 5 cm (2") open above and 10 cm (4") open behind it. Failure to provide these gaps could cause heat to build up inside and result in fire.
- Place the unit in a stable location.
- Do not place anything on top of the unit.
- Do not move the unit during use.
- Be careful to avoid injury when moving the unit due to its weight. Get someone to help you if necessary.
- The voltage supplied to the unit should match the voltage as printed on its back. If you are in any doubt regarding this matter, consult an electrician.
- Do not open the body of the unit as this might result in damage to the circuitry or cause electric shock. If a foreign object should get into the unit, contact your dealer.
- When removing the power plug from an outlet, always pull directly on the plug; never yank on the cord itself.

Precautions when making connections

- After completing all other connections, plug the power plug into a power outlet.
- Read the owner's manuals of all devices that will be connected, and follow their instructions.
- For connections other than clock sync, refer to the owner's manuals of the other devices.
- When using separate devices, such as a CD transport and a D/A converter, input the clock signal from this unit to both.



A 10MHz OUT connectors

These output 10MHz clock signals (sine wave, 0.5Vrms output level, 50Ω output impedance).

Connect these 10MHz OUT connectors to the clock input connectors of CD players, D/A converters and other digital devices that support 0.5Vrms 10MHz input.


Use commercially-available BNC coaxial cables (with 75Ω or 50Ω impedance) for connection.

B POWER switch

Use this to turn the unit on and off.

When the unit is on, the power indicator blinks or stays lit constantly.


- When the POWER switch is set to ON, the unit starts warming the crystal oscillator (OCXO) up to its operating temperature. The amount of time until the oscillator frequency stabilizes depends on the temperature of the environment.

 **Set this unit's POWER switch to OFF when you do not plan to use it for an extended amount of time.**

C Power inlet (~IN)

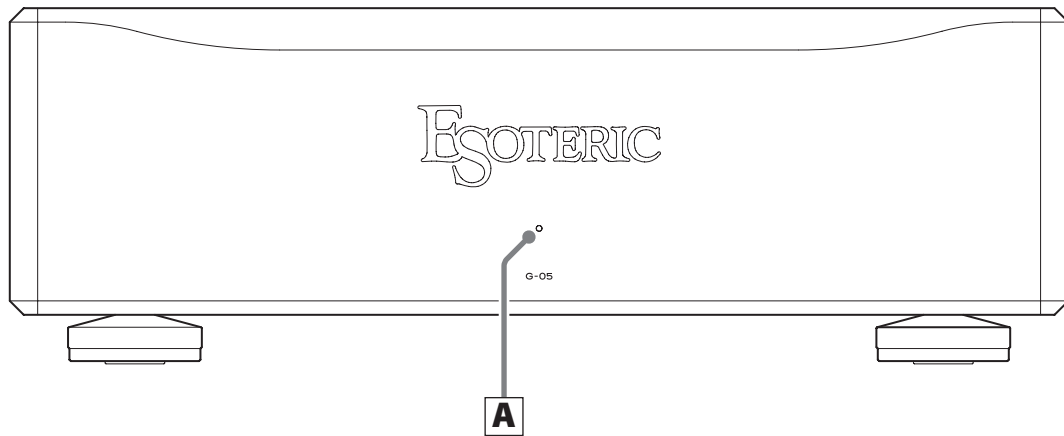
Connect the included AC power cord to this AC inlet.

After completing all other connections, plug the power plug into a power outlet.

 **Use only a genuine ESOTERIC power cord. Use of other power cords could result in fire or electric shock.**

 **Disconnect the power plug from the outlet if you will not use the unit for a long time.**

Names and functions of parts

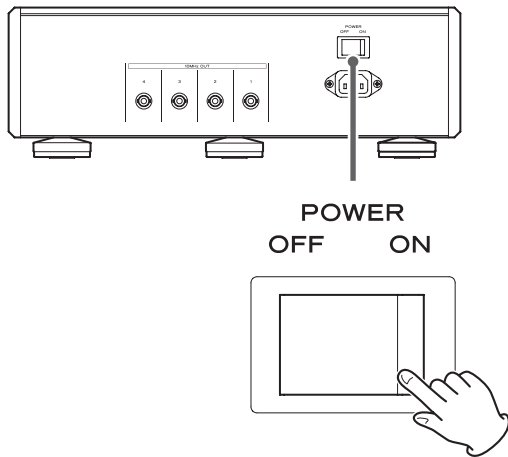


A Power indicator

This blinks or lights continuously when the unit is on, showing the clock status.

This blinks when warming up. It stops blinking and stays lit when output stabilizes.

1 Set the unit's POWER switch to ON to turn it on.



2 Start playback on the connected device after the power indicator lights.

- We recommend waiting until the oscillator stabilizes after the power is turned on.

If you experience a problem with this product, please take a moment to review the following information before requesting service. If this product still does not operate correctly, contact the retailer where you purchased it.

The unit does not turn on.

- ➔ Check that the power cord is plugged into a working power outlet.
- ➔ Check that the power cord is properly connected to this unit.

The clock output is not synchronizing another device.

- ➔ Confirm that the connected device supports 0.5Vrms 10MHz clock. Since clock signals that can be synchronized depend on how each device is connected and set, refer to the operation manuals of each device.

The power indicator never stops blinking or starts blinking rapidly.

- ➔ Contact the retailer where you purchased the unit.

Maintenance

Use a soft dry cloth to wipe the surface of the unit clean. For stubborn smudges, use a damp cloth that has been thoroughly wrung out to remove excess moisture.

- Never spray liquid directly on this unit.
- Do not wipe with chemical cleaning cloths, thinner or other chemical agents. Doing so could damage the surface.
- Avoid allowing rubber or plastic materials to touch the unit for long periods of time because they could damage the cabinet.



For safety, disconnect the power plug from the outlet before cleaning.

Specifications

Clock outputs

Output frequency	10 MHz
Frequency precision.....	within ± 0.01 ppm (when shipped new)
BNC connectors	4
Output level.....	sine wave, 0.5 ± 0.1 Vrms/ 50Ω

General

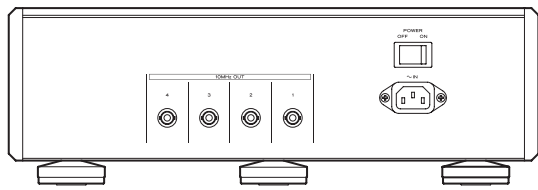
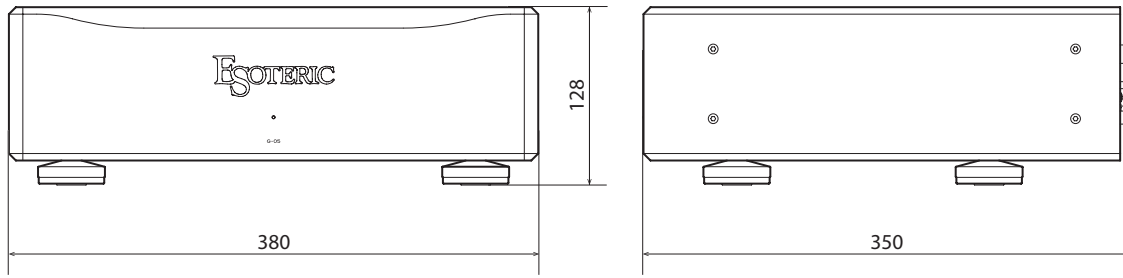
Power supply	
Model for Europe.....	AC 220–240 V, 50/60 Hz
Model for USA/Canada	AC 120 V, 60 Hz
Power consumption.....	10 W (when stable)
External dimensions (W \times H \times D, including protrusions)	
.....	380 \times 128 \times 350 mm (15" \times 5 1/8" \times 13 7/8")
Weight	10 kg (22 1/8 lb)
Operating temperature range	+5°C to +35°C

Included accessories

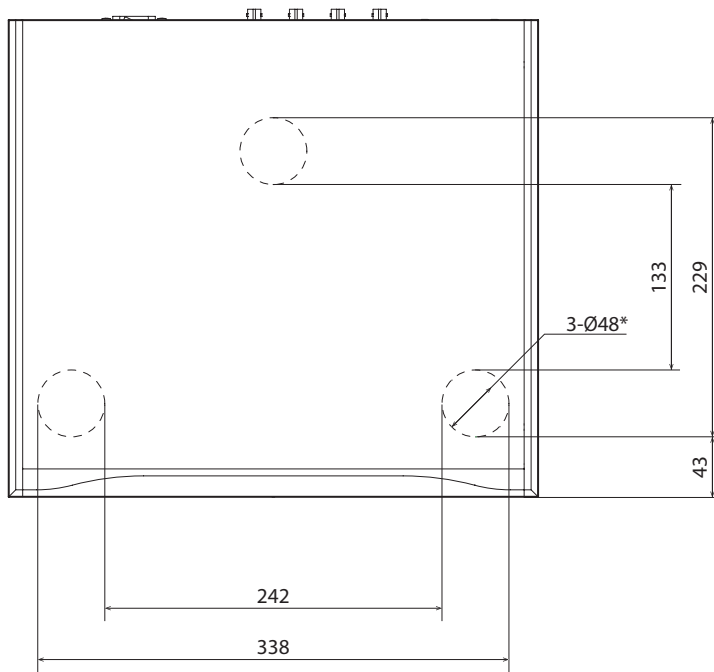
Power cord \times 1
Felt pads \times 3
Owner's manual (this document) \times 1
Warranty card \times 1

- Design and specifications are subject to change without notice.
- Weight and dimensions are approximate.
- Illustrations in this Owner's Manual might differ slightly from production models.

Dimensional drawings



Foot placement diagram



Dimensions in millimeters (mm)
*48mm diameter feet x 3

INSTRUCTIONS DE SÉCURITÉ IMPORTANTES



Le symbole d'éclair à tête de flèche dans un triangle équilatéral sert à prévenir l'utilisateur de la présence dans l'enceinte du produit d'une « tension dangereuse » non isolée d'une grandeur suffisante pour constituer un risque d'électrocution pour les personnes.



Le point d'exclamation dans un triangle équilatéral sert à prévenir l'utilisateur de la présence d'instructions importantes de fonctionnement et de maintenance (entretien) dans les documents accompagnant l'appareil.

AVERTISSEMENT : POUR PRÉVENIR LES RISQUES D'INCENDIE ET D'ÉLECTROCUTION, N'EXPOSEZ PAS CET APPAREIL À LA PLUIE NI À L'HUMIDITÉ.

ATTENTION

- NE RETIREZ PAS LES CAPOTS EXTERNES OU BOÎTIERS POUR EXPOSER L'ÉLECTRONIQUE. AUCUNE PIÈCE INTERNE N'EST RÉPARABLE PAR L'UTILISATEUR.
- SI VOUS RENCONTREZ DES PROBLÈMES AVEC CE PRODUIT, CONTACTEZ LE MAGASIN OÙ VOUS AVEZ ACHETÉ L'UNITÉ. N'UTILISEZ PAS LE PRODUIT TANT QU'IL N'A PAS ÉTÉ RÉPARÉ.
- L'UTILISATION DE COMMANDES, DE RÉGLAGES OU LE SUIVI DE PROCÉDURES AUTRES QUE CE QUI EST DÉCRIT DANS CE DOCUMENT PEUT PROVOQUER UNE EXPOSITION À UN RAYONNEMENT DANGEREUX.

- 1) Lisez ces instructions.
- 2) Conservez ces instructions.
- 3) Tenez compte de tous les avertissements.
- 4) Suivez toutes les instructions.
- 5) N'utilisez pas cet appareil avec de l'eau à proximité.
- 6) Ne nettoyez l'appareil qu'avec un chiffon sec.
- 7) Ne bloquez aucune ouverture de ventilation. Installez-le conformément aux instructions du fabricant.
- 8) N'installez pas l'appareil près de sources de chaleur telles que des radiateurs, bouches de chauffage, poêles ou autres appareils (y compris des amplificateurs) dégageant de la chaleur.
- 9) Ne neutralisez pas la fonction de sécurité de la fiche polarisée ou de terre. Une fiche polarisée a deux broches, l'une plus large que l'autre. Une fiche de terre a deux broches identiques et une troisième broche pour la mise à la terre. La broche plus large ou la troisième broche servent à votre sécurité. Si la fiche fournie n'entre pas dans votre prise, consultez un électricien pour le remplacement de la prise obsolète.

10) Évitez de marcher sur le cordon d'alimentation et de le pincer, en particulier au niveau des fiches, des prises secteur, et du point de sortie de l'appareil.

11) N'utilisez que des fixations/accessoires spécifiés par le fabricant.

12) Utilisez-le uniquement avec des chariots, socles, trépieds, supports ou tables spécifiés par le fabricant ou vendus avec l'appareil. Si un chariot est utilisé, faites attention à ne pas être blessé par un renversement lors du déplacement de l'ensemble chariot/appareil.



13) Débranchez cet appareil en cas d'orage ou de non utilisation prolongée.

14) Confiez toute réparation à des techniciens de maintenance qualifiés. Une réparation est nécessaire si l'appareil a été endommagé d'une quelconque façon, par exemple si le cordon ou la fiche d'alimentation est endommagé, si du liquide a été renversé sur l'appareil ou si des objets sont tombés dedans, si l'appareil a été exposé à la pluie ou à l'humidité, s'il ne fonctionne pas normalement, ou s'il est tombé.

- L'appareil tire un courant nominal de veille de la prise secteur quand son interrupteur POWER ou STANDBY/ON n'est pas en position ON.
- La fiche secteur est utilisée comme dispositif de déconnexion et doit donc toujours rester disponible.
- Des précautions doivent être prises en cas d'utilisation d'écouteurs ou d'un casque avec le produit car une pression sonore excessive (volume trop fort) dans les écouteurs ou dans le casque peut causer une perte auditive.

AVERTISSEMENT

Les produits ayant une construction de Classe **I** sont équipés d'un cordon d'alimentation avec une fiche de terre. Le cordon d'un tel produit doit être branché dans une prise secteur avec terre de sécurité.

AUX USA/CANADA, UTILISEZ UNIQUEMENT UNE TENSION D'ALIMENTATION DE 120 V.

ATTENTION

- N'exposez pas cet appareil aux gouttes ni aux éclaboussures.
- Ne placez pas d'objet rempli de liquide sur l'appareil, comme par exemple un vase.
- N'installez pas cet appareil dans un espace confiné comme une bibliothèque ou un meuble similaire.
- L'appareil doit être placé suffisamment près de la prise de courant pour que vous puissiez à tout moment attraper facilement la fiche du cordon d'alimentation.
- Si le produit utilise des piles/batteries (y compris un pack de batteries ou des piles installées), elles ne doivent pas être exposées au soleil, au feu ou à une chaleur excessive.
- **PRÉCAUTION** pour les produits qui utilisent des batteries remplaçables au lithium : remplacer une batterie par un modèle incorrect entraîne un risque d'explosion. Remplacez-les uniquement par un type identique ou équivalent.

Modèle pour le Canada

CET APPAREIL NUMÉRIQUE DE LA CLASSE B EST CONFORME À LA NORME NMB-003 DU CANADA



Modèle pour l'Europe



Ce produit est conforme aux directives européennes et aux autres réglementations de la Commission européenne.

Pour les consommateurs européens

Mise au rebut des équipements électriques et électroniques et des piles et/ou accumulateurs

- Tout équipement électrique/électronique et pile/accumulateur hors d'usage doit être traité séparément de la collecte municipale d'ordures ménagères dans des points de collecte désignés par le gouvernement ou les autorités locales.
- En vous débarrassant correctement des équipements électriques/électroniques et piles/accumulateurs hors d'usage, vous contribuerez à la sauvegarde de précieuses ressources et à la prévention de potentiels effets négatifs sur la santé humaine et l'environnement.
- Le traitement incorrect des équipements électriques/électroniques et piles/accumulateurs hors d'usage peut avoir des effets graves sur l'environnement et la santé humaine en raison de la présence de substances dangereuses dans les équipements.
- Le symbole de déchets d'équipements électriques et électroniques (DEEE), qui représente une poubelle à roulettes barrée d'une croix, indique que les équipements électriques/électroniques et piles/accumulateurs doivent être collectés et traités séparément des déchets ménagers.

Si une pile ou un accumulateur contient plus que les valeurs de plomb (Pb), mercure (Hg) et/ou cadmium (Cd) spécifiées dans la directive sur les piles et accumulateurs (2006/66/CE, 2013/56/UE), alors les **Pb, Hg, Cd** symboles chimiques de ces éléments seront indiqués sous le symbole DEEE.

- Des systèmes de retour et de collecte sont disponibles pour l'utilisateur final. Pour des informations plus détaillées sur la mise au rebut des vieux équipements électriques/électroniques et piles/accumulateurs hors d'usage, veuillez contacter votre mairie, le service d'ordures ménagères ou le magasin dans lequel vous avez acquis l'équipement.

Sommaire

Nous vous remercions d'avoir choisi ce produit ESOTERIC.

Lisez attentivement ce mode d'emploi pour tirer les meilleures performances de ce produit. Après l'avoir lu, gardez-le en lieu sûr avec la carte de garantie pour vous y référer ultérieurement.

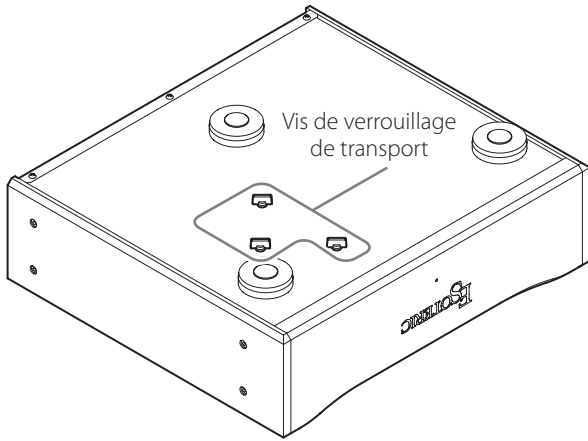
INSTRUCTIONS DE SÉCURITÉ IMPORTANTES.....	15
À propos des vis de verrouillage de transport	18
Avant l'utilisation	19
Branchements.....	20
Parties et fonctions	22
Fonctionnement de base	23
Guide de dépannage.....	23
Entretien	24
Caractéristiques techniques.....	24
Schémas avec cotes	25

ESOTERIC is a trademark of TEAC CORPORATION, registered in the U.S. and other countries.

Les autres noms de société et de produit et les logos présents dans ce document sont des marques de commerce ou déposées de leurs détenteurs respectifs.

À propos des vis de verrouillage de transport

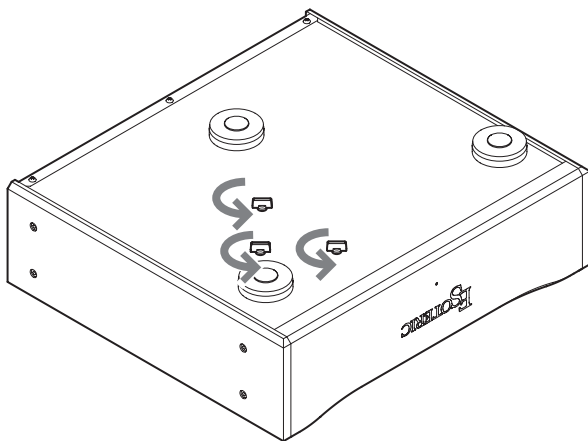
Afin d'améliorer la qualité du son, le G-05 est structuré de manière à donner du jeu à l'oscillateur à quartz thermostaté (OCXO). Pour cette raison, avant expédition depuis l'usine, des vis de verrouillage de transport ont été fixées au travers du plancher de l'unité afin de protéger l'oscillateur à quartz thermostaté (OCXO) des vibrations durant le transport.



Avant d'installer l'unit

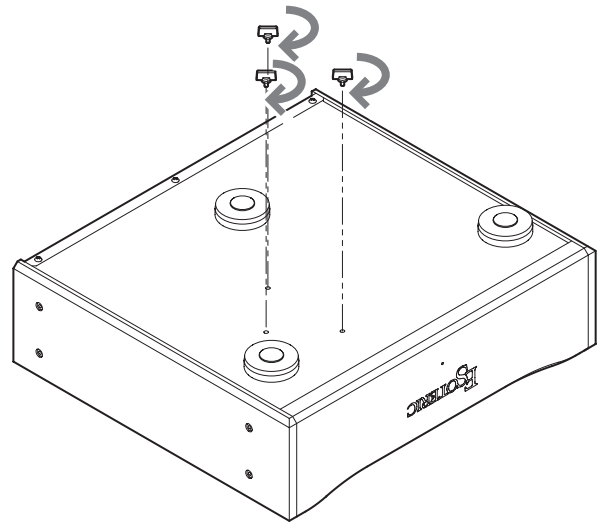
Avant d'installer l'unité, retirez les trois vis de verrouillage de transport.

- Conservez-les en lieu sûr car vous devrez les remettre avant de transporter l'unité dans le futur.



Avant de transporter l'unit

Avant de transporter l'unité, refixez les trois vis de verrouillage de transport que vous avez retirées pour installer l'unité.



Accessoires fournis

Vérifiez que vous disposez bien de tous les accessoires indiqués ci-dessous. Veuillez contacter le magasin dans lequel vous avez acheté ce produit si l'un de ces accessoires manque ou a été endommagé durant le transport.

- Cordon d'alimentation × 1
- Patins en feutre × 3
- Mode d'emploi (ce document) × 1
- Carte de garantie × 1

Note sur le placement

Les pieds coniques en acier sont fixés de manière lâche, de façon à disperser efficacement les vibrations après la mise en place.

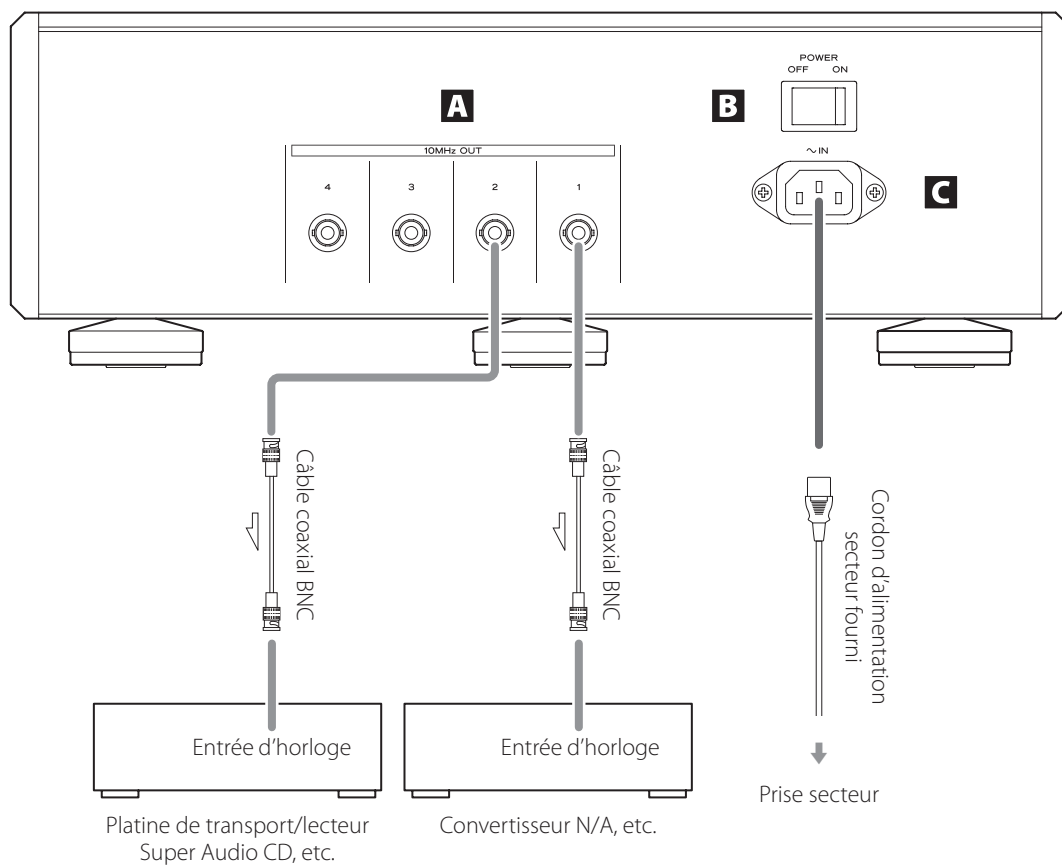
- Fixez les patins de feutre fournis sous les pieds de protection pour éviter de rayer la surface sur laquelle est placée l'unité.

Précautions d'emploi

- N'installez pas cette unité dans un lieu qui pourrait chauffer. Cela comprend les endroits exposés directement au soleil ou près d'un radiateur, d'un chauffage, d'une cuisinière ou d'autres appareils chauffants. En outre, ne la placez pas au-dessus d'un amplificateur ou autre équipement dégageant de la chaleur. Cela pourrait causer une décoloration, une déformation ou un mauvais fonctionnement.
- Afin de permettre une bonne dissipation de la chaleur, laissez au moins 20 cm entre cette unité et les murs et les autres équipements lors de l'installation.
Si vous la placez par exemple sur une étagère, laissez au moins 5 cm de libre au-dessus d'elle et 10 cm derrière.
Ne pas laisser ces espaces peut faire monter la température au risque d'entraîner un incendie.
- Placez l'unité dans un endroit stable.
- Ne placez rien sur l'unité.
- Ne déplacez pas l'unité durant l'utilisation.
- En raison du poids de l'unité, prenez garde à ne pas vous blesser quand vous la déplacez.
Faites vous aider si nécessaire.
- La tension du courant fourni à l'unité doit correspondre à la tension imprimée sur sa face arrière. Si vous avez des doutes à ce sujet, consultez un électricien.
- N'ouvrez pas le boîtier de l'unité car cela peut endommager les circuits ou causer un choc électrique. Si un objet étranger pénètre dans l'unité, consultez votre revendeur.
- Quand vous débranchez le cordon d'alimentation de la prise secteur, tirez toujours sur sa fiche, jamais sur le cordon lui-même.

Précautions lors des branchements

- Après avoir terminé tous les autres branchements, insérez la fiche du cordon d'alimentation dans une prise secteur.
- Lisez les modes d'emploi de tous les appareils qui seront connectés et suivez leurs instructions.
- Pour des branchements autres que ceux d'horloge de synchro, référez-vous aux modes d'emploi des autres appareils.
- Si vous utilisez des éléments séparés, comme une platine de transport de CD et un convertisseur N/A, envoyez le signal d'horloge de cette unité à chaque élément.



A Connecteurs de sortie 10MHz OUT

Ils produisent les signaux d'horloge à 10 MHz (onde sinusoïdale, niveau de sortie 0,5 Vrms, impédance de sortie 50 Ω).

Reliez ces connecteurs 10MHz OUT aux connecteurs d'entrée d'horloge de lecteurs de CD, convertisseurs N/A et autres appareils numériques compatibles avec une entrée 10 MHz/0,5 Vrms.


Utilisez des câbles coaxiaux BNC du commerce (d'une impédance de 75 Ω ou 50 Ω) pour la connexion.

B Interrupteur d'alimentation POWER

Utilisez-le pour allumer et éteindre l'unité.


Quand l'unité est sous tension, le voyant d'alimentation clignote ou s'allume fixement.

- À la mise sous tension avec l'interrupteur d'alimentation POWER, l'unité commence par préchauffer l'oscillateur à quartz thermostaté (Oven Controlled Crystal Oscillator ou OCXO) pour l'amener à sa température de fonctionnement. Le temps nécessaire pour que la fréquence de l'oscillateur se stabilise dépend de la température de l'environnement.

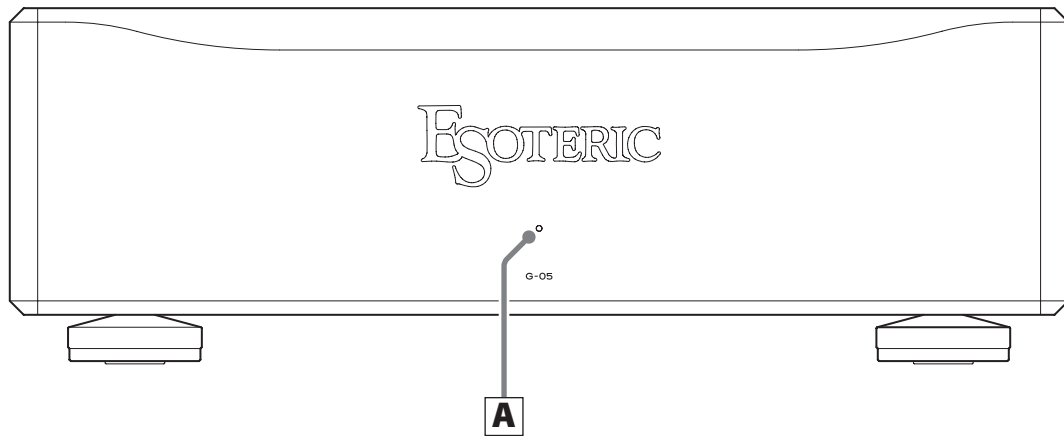
 **Basculez l'interrupteur d'alimentation POWER en position OFF si vous n'envisagez pas d'utilisation avant un long moment.**

C Prise d'entrée d'alimentation (~IN)

Branchez le cordon d'alimentation secteur fourni à cette prise. Après avoir terminé tous les autres branchements, insérez la fiche du cordon d'alimentation dans une prise secteur.

 **N'utilisez qu'un authentique cordon d'alimentation ESOTERIC. L'utilisation d'autres cordons d'alimentation peut entraîner un incendie ou un choc électrique.**

 **Débranchez le cordon de la prise secteur en cas de non-utilisation prolongée de l'unité.**

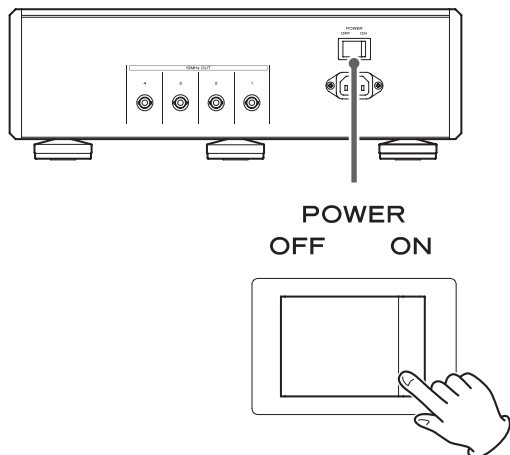


A Voyant d'alimentation

Il clignote ou s'allume fixement lorsque l'unité est sous tension, indiquant l'état de l'horloge.

Il clignote pendant la phase de préchauffage. Il cesse de clignoter et reste allumé lorsque la sortie se stabilise.

1 Appuyez sur l'interrupteur POWER de l'unité pour mettre cette dernière sous tension.



2 Lancez la lecture sur l'appareil connecté après l'allumage du voyant d'alimentation.

- Nous vous conseillons d'attendre que l'oscillateur se stabilise après la mise sous tension.

Si vous rencontrez un problème avec ce produit, veuillez prendre un moment pour lire les informations suivantes avant de solliciter une réparation.

Si ce produit ne fonctionne toujours pas correctement, contactez le revendeur chez qui vous l'avez acheté.

L'unité ne s'allume pas.

- ➔ Vérifiez que le cordon d'alimentation est branché à une prise secteur fonctionnelle.
- ➔ Vérifiez que le cordon d'alimentation est bien branché à cette unité.

La sortie d'horloge ne synchronise pas un autre appareil.

- ➔ Vérifiez que l'appareil connecté accepte l'horloge 10 MHz à 0,5 Vrms. Comme les signaux d'horloge qui peuvent être synchronisés dépendent de la façon dont chaque appareil est connecté et réglé, reportez-vous aux manuels d'utilisation des différents appareils.

Le voyant d'alimentation ne s'arrête jamais de clignoter ou commence à clignoter rapidement.

- ➔ Contactez le revendeur auprès duquel vous avez acheté l'unité.

Utilisez un chiffon sec et doux pour nettoyer la surface de l'unité. Pour les taches tenaces, utilisez un chiffon humide soigneusement essoré afin d'éliminer l'excès d'humidité.

- Ne vaporisez jamais de liquide directement sur cette unité.
- N'utilisez pas de lingettes de nettoyage imbibées de produit chimique, de diluant ou d'autres agents chimiques. Cela pourrait endommager la surface.
- Évitez un contact prolongé de l'unité avec des matériaux caoutchouteux ou plastiques car ceux-ci peuvent endommager le boîtier.



Par sécurité, débranchez le cordon d'alimentation de la prise secteur avant tout nettoyage.

Sorties d'horloge

Fréquence de sortie	10 MHz
Précision de la fréquence ... Écart de $\pm 0,01$ ppm (en sortie d'usine)	
Prises BNC	4
Niveau de sortie	Onde sinusoïdale, $0,5 \pm 0,1$ Vrms/50 Ω

Générales

Alimentation électrique

Modèle Europe	CA 220–240 V, 50/60 Hz
Modèle USA/Canada	CA 120 V, 60 Hz

Consommation électrique

10 W (une fois stable)
380 × 128 × 350 mm

Dimensions externes (L × H × P, saillies incluses)

Poids

Température de fonctionnement

Accessoires fournis

Cordon d'alimentation × 1

Patins en feutre × 3

Mode d'emploi (ce document) × 1

Carte de garantie × 1

- Conception et caractéristiques techniques sont sujettes à modifications sans préavis.
- Le poids et les dimensions sont des valeurs approchées.
- Les illustrations de ce mode d'emploi peuvent légèrement différer des modèles de production.

Schémas avec cotes

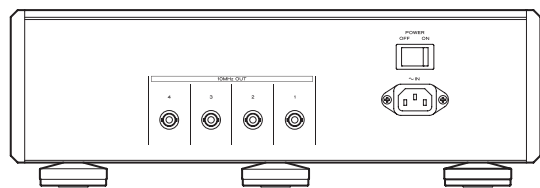
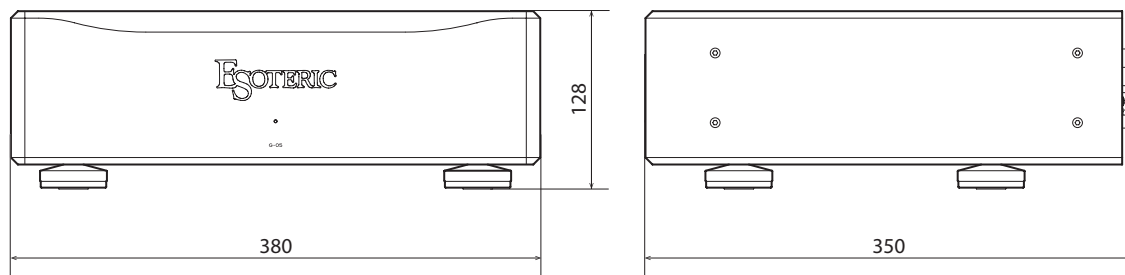
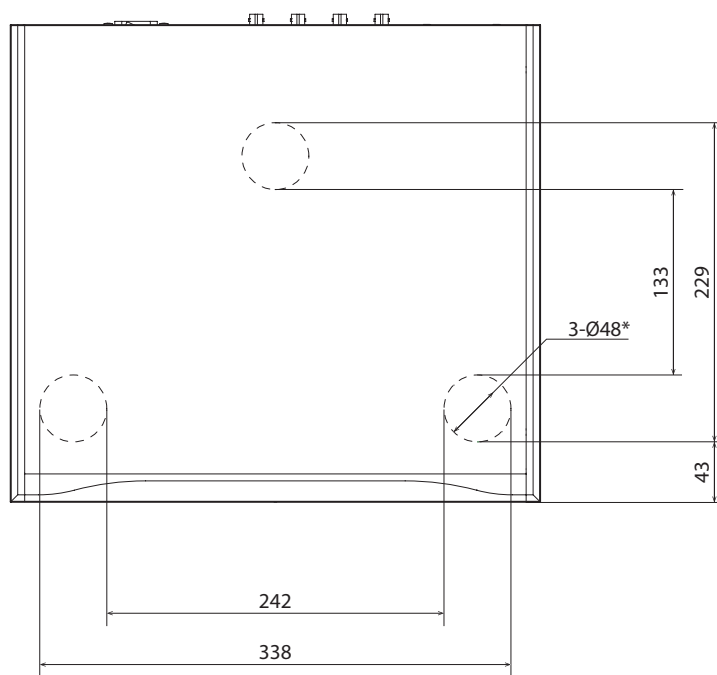


Schéma de positionnement des pieds



Les dimensions sont en millimètres (mm)
*Pieds de 48 mm de diamètre x 3

INSTRUCCIONES IMPORTANTES DE SEGURIDAD



CAUTION
RISK OF ELECTRIC SHOCK
DO NOT OPEN



PRECAUCIÓN: PARA REDUCIR EL RIESGO DE DESCARGA ELÉCTRICA, NO quite la cubierta (NI EL PANEL POSTERIOR). NO HAY PIEZAS INTERNAS QUE EL USUARIO PUEDA REPARAR. PARA REPARACIONES, REMÍTASE A UN SERVICIO TÉCNICO CUALIFICADO.



El símbolo del rayo acabado en flecha dentro de un triángulo equilátero alerta al usuario de la presencia de un "voltaje peligroso" sin aislar dentro de la carcasa del producto que puede ser de magnitud suficiente como para constituir riesgo de descarga eléctrica para las personas.



El signo de exclamación dentro de un triángulo equilátero alerta al usuario de la presencia de importantes instrucciones de funcionamiento y mantenimiento en la literatura que acompaña al aparato.

AVISO: PARA EVITAR RIESGO DE INCENDIO O DESCARGAS ELÉCTRICAS, NO EXPONGA ESTE APARATO A LA LLUVIA NI A LA HUMEDAD.

PRECAUCIÓN

- NO quite las carcasas externas ni deje al aire la electrónica. ¡EN EL INTERIOR NO HAY PIEZAS QUE EL USUARIO PUEDA MANIPULAR!
- SI EXPERIMENTA PROBLEMAS CON ESTE PRODUCTO, PÓNGASE EN CONTACTO CON EL ESTABLECIMIENTO DONDE ADQUIRIÓ LA UNIDAD PARA SOLICITAR SERVICIO TÉCNICO. NO UTILICE EL APARATO HASTA QUE HAYA SIDO REPARADO.
- EL USO DE CONTROLES, AJUSTES O PROCEDIMIENTOS QUE NO SEAN LOS ESPECIFICADOS EN ESTE MANUAL PUEDE CAUSAR EXPOSICIÓN A RADIACIONES PELIGROSAS.

- 1) Lea estas instrucciones.
- 2) Conserve estas instrucciones.
- 3) Cumpla con lo indicado en los avisos.
- 4) Siga todas las instrucciones.
- 5) No utilice este aparato cerca del agua.
- 6) Límpielo solo con un trapo seco.
- 7) No bloquee ninguna de las ranuras de ventilación. Instale este aparato de acuerdo con las instrucciones del fabricante.
- 8) No instale este aparato cerca de fuentes de calor como radiadores, calentadores, hornos u otros aparatos (incluyendo amplificadores) que produzcan calor.
- 9) No elimine el sistema de seguridad que supone el enchufe polarizado o con toma de tierra. Un enchufe polarizado tiene dos bornes, uno más ancho que el otro. Uno con toma de tierra tiene dos bornes iguales y una tercera lámina para la conexión a tierra. El borne ancho o la lámina se incluyen para su seguridad. Si el enchufe que venga con la unidad no encaja en su salida de corriente, haga que un electricista cambie su salida anticuada.

10) Evite que el cable de corriente quede de forma que pueda ser pisado o quedar retorcido o aplastado, especialmente en los enchufes, receptáculos o en el punto en el que salen del aparato.

11) Use solo accesorios / complementos especificados por el fabricante.

12) Utilice este aparato solo con un soporte, trípode o bastidor especificado por el fabricante o que se venda con el propio aparato. Cuando utilice un bastidor con ruedas, tenga cuidado al mover la combinación de aparato/bastidor para evitar que vuelque y puedan producirse daños.



13) Desconecte este aparato de la corriente durante las tormentas eléctricas o cuando no lo vaya a usar durante un periodo de tiempo largo.

14) Dirija cualquier posible reparación solo al servicio técnico oficial. Este aparato deberá ser reparado si se ha dañado de alguna forma, como por ejemplo si el cable de corriente o el enchufe están rotos, si ha sido derramado algún líquido sobre la unidad o algún objeto ha sido introducido en ella, si ha quedado expuesto a la lluvia o la humedad, si no funciona normalmente o si ha caído al suelo en algún momento.

- Este aparato libera corriente nominal no válida para el funcionamiento a través de la toma de corriente, aún cuando el interruptor de encendido y activación (POWER o STANDBY/ON) no esté en la posición de encendido (ON).
- El enchufe que se conecta a la red es el dispositivo de desconexión, por lo que deberá permanecer siempre en perfecto estado de uso.
- Deberá llevar cuidado si utiliza auriculares con este producto, ya que una excesiva presión sonora (volumen) procedente de los mismos puede causar pérdidas de audición.

AVISO

Los productos con construcción de Clase **I** están equipados con un cable de alimentación que tiene conexión de tierra. El cable de estos productos deberá conectarse a una toma de corriente que tenga conexión de protección de tierra.

EN EE. UU./CANADÁ, UTILICE SOLO ALIMENTACIÓN CON CORRIENTE DE 120 V.

PRECAUCIÓN

- No exponga este aparato a salpicaduras ni goteras.
- No coloque objetos que contengan líquidos, como por ejemplo jarrones, sobre el aparato.
- No instale este aparato en lugares cerrados tales como estanterías o similares.
- Este aparato debe situarse lo suficientemente cerca de una toma de electricidad como para poder alcanzar fácilmente el cable de corriente en cualquier momento.
- Si el producto utiliza pilas (esto incluye las pilas instaladas y los "packs" de pilas), se evitará su exposición directa al sol, al fuego o a cualquier otra fuente de calor excesivo.
- PRECAUCIÓN con los productos que emplean baterías de litio reemplazables: existe peligro de explosión si la batería se reemplaza por otra de tipo incorrecto. Reemplácela sólo por otra igual o de tipo equivalente.

Declaración de conformidad del suministrador



Número de modelo: G-05

Marca comercial: ESOTERIC

Parte responsable: 11 Trading Company, LLC

Dirección: 3502 Woodview Trace #200 Indianapolis, IN 46268 U.S.A.

URL: <https://11tradingcompany.com/contact-us/>

Este dispositivo cumple con el apartado 15 de las Normas de la FCC.

Su funcionamiento está sujeto a las dos siguientes condiciones:

- 1) Este dispositivo no puede causar interferencias perjudiciales
- 2) Este dispositivo debe aceptar cualquier interferencia recibida, incluidas interferencias que puedan causar anomalías de funcionamiento.

Información

Se ha comprobado que este equipo cumple con los límites establecidos para los dispositivos digitales de Clase B, de acuerdo con el apartado 15 de las Normas de la FCC. Estos límites están diseñados para proporcionar una protección razonable contra interferencias perjudiciales en instalaciones residenciales. Este equipo genera, utiliza y puede irradiar energía de radiofrecuencia y, si no se instala y se utiliza de acuerdo con las instrucciones, puede causar interferencias perjudiciales en las comunicaciones por radio. Sin embargo, no se puede garantizar que dichas interferencias no se produzcan en instalaciones particulares. Si este equipo causa interferencias perjudiciales en la recepción de radio o televisión, que se comprueban apagando y encendiendo el equipo, se recomienda al usuario que intente corregirla mediante una o varias de las siguientes medidas:

- Reoriente o recolocque el equipo y/o la antena receptora.
- Aumente la separación entre el equipo y el receptor.
- Conecte el equipo a una toma de electricidad situada en un circuito eléctrico diferente al del receptor.
- Consulte al distribuidor o solicite ayuda a un técnico de radio/TV con experiencia.

PRECAUCIÓN

Cualquier cambio o modificación efectuada en este equipo que no haya sido expresamente aprobada por la parte responsable del cumplimiento de los requisitos exigidos podría invalidar el derecho del usuario a utilizar el equipo.


Modelo para Europa



Este producto cumple con las exigencias de las directivas europeas y con los reglamentos de la Comisión Europea.

Para consumidores europeos

Deshacerse de aparatos eléctricos, electrónicos, pilas/baterías y acumuladores

- a) Todos los aparatos eléctricos y electrónicos, y pilas/baterías y acumuladores gastados, deben ser eliminados separados del resto de basura común y únicamente en los "puntos limpios" o bajo los procedimientos especificados por el gobierno o autoridades municipales locales.
- b) Con la eliminación correcta de los equipos eléctricos y electrónicos, y de pilas/baterías y acumuladores gastados, estará ayudando a conservar recursos muy valiosos y a evitar los posibles efectos negativos en la salud humana y en el medio ambiente.
- c) La eliminación incorrecta de los equipos eléctricos y electrónicos, y pilas/baterías y acumuladores, puede producir efectos muy dañinos en el medio ambiente y en la salud humana a causa de las sustancias peligrosas que pueden encontrarse en estos equipos.
- d) El símbolo de Eliminación de Aparatos Eléctricos y Electrónicos (WEEE en inglés), identificado por cubos de basura con ruedas tachados, indican que los equipos eléctricos y electrónicos, y las pilas/baterías y acumuladores, deben ser eliminados de forma totalmente independiente con respecto a la basura doméstica.
Si una pila/batería o un acumulador contienen más cantidad de los valores especificados de plomo (Pb), mercurio (Hg), y/o cadmio (Cd) según está definido en la Directiva relativa a las pilas (2006/66/CE, 2013/56/UE), entonces los símbolos químicos correspondientes a estos elementos estarán indicados debajo del símbolo WEEE.

- e) Existen sistemas para la eliminación y recogida a disposición del usuario final. Si necesita más información sobre cómo deshacerse de aparatos eléctricos y electrónicos antiguos, así como de pilas/baterías y acumuladores, póngase en contacto con su ayuntamiento, con la correspondiente empresa del servicio de recogida de residuos o con el establecimiento donde adquirió ese aparato.

Índice

Gracias por adquirir este producto ESOTERIC.

Lea detenidamente este manual para obtener el mejor rendimiento de este producto. Después de leerlo, guárdelo en un lugar seguro, junto con la tarjeta de la garantía, para futuras consultas.

INSTRUCCIONES IMPORTANTES DE SEGURIDAD	27
Acerca de los tornillos de bloqueo para el transporte	30
Antes de su utilización	31
Conexiones	32
Nombres y funciones de las partes	34
Funcionamiento básico	35
Solución de problemas	35
Mantenimiento	36
Especificaciones	36
Dibujos con las dimensiones	37

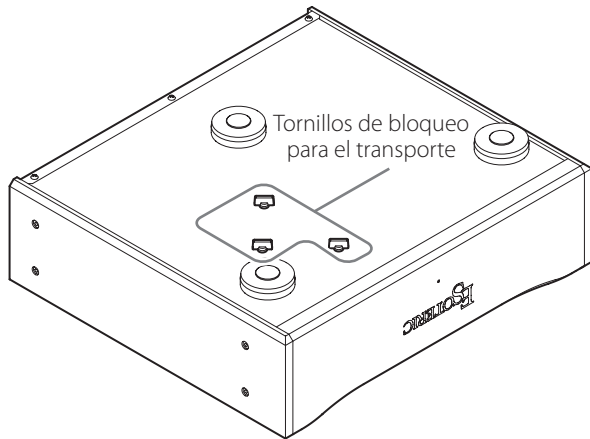
ESOTERIC is a trademark of TEAC CORPORATION, registered in the U.S. and other countries.

Otros nombres de compañías, de productos y los logos que aparecen en este documento son marcas comerciales o marcas comerciales registradas de sus respectivos propietarios.

Acerca de los tornillos de bloqueo para el transporte

Con el fin de mejorar la calidad del sonido, el G-05 está estructurado de modo que el montaje del oscilador de cristal (OCXO) tiene algo de holgura.

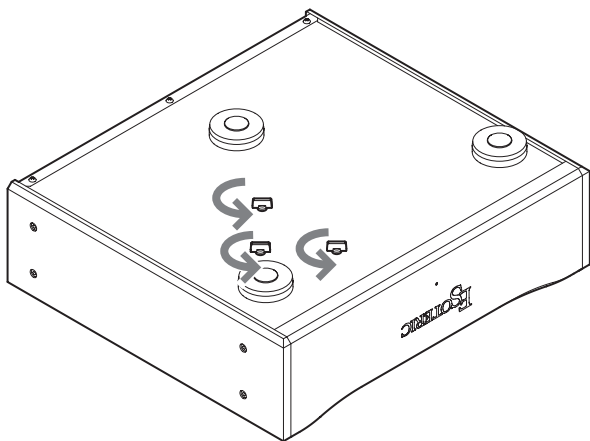
Por este motivo, antes de salir de fábrica, se han colocado tornillos de bloqueo para el transporte a través de la parte inferior de la unidad para proteger el conjunto del oscilador de cristal (OCXO) de vibraciones durante el transporte.



Antes de instalar la unidad

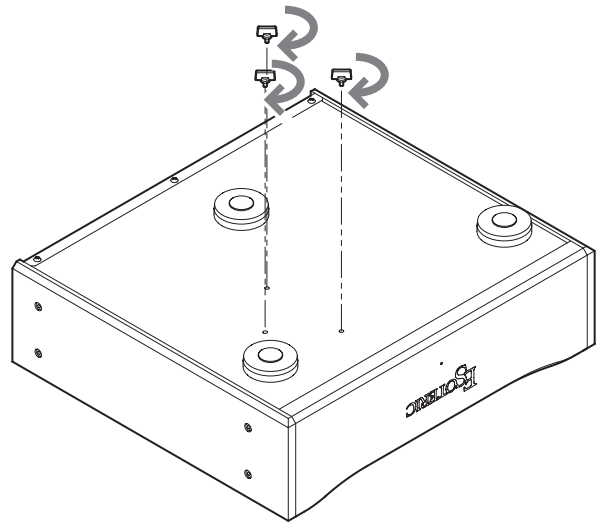
Antes de instalar la unidad, quite los tornillos de bloqueo para el transporte.

- Guarde los tornillos de bloqueo para el transporte en un lugar seguro porque necesitará volver a colocarlos antes de transportar la unidad en el futuro.



Antes de transportar la unidad

Antes de transportar la unidad, vuelva a colocar los tres tornillos de bloqueo para el transporte que quitó cuando instaló la unidad.



Accesorios incluidos

Compruebe que todos los accesorios enumerados a continuación están incluidos en la caja. Por favor, póngase en contacto con el establecimiento donde adquirió este producto si falta cualquiera de estos accesorios o si alguno ha sufrido desperfectos durante el transporte.

- Cable de corriente × 1
- Almohadillas de fieltro × 3
- Manual del usuario (este documento) × 1
- Tarjeta de garantía × 1

Nota sobre la colocación

Las patas de acero en forma de cono están acopladas sin apretar para que dispersen eficazmente las vibraciones después de la colocación.

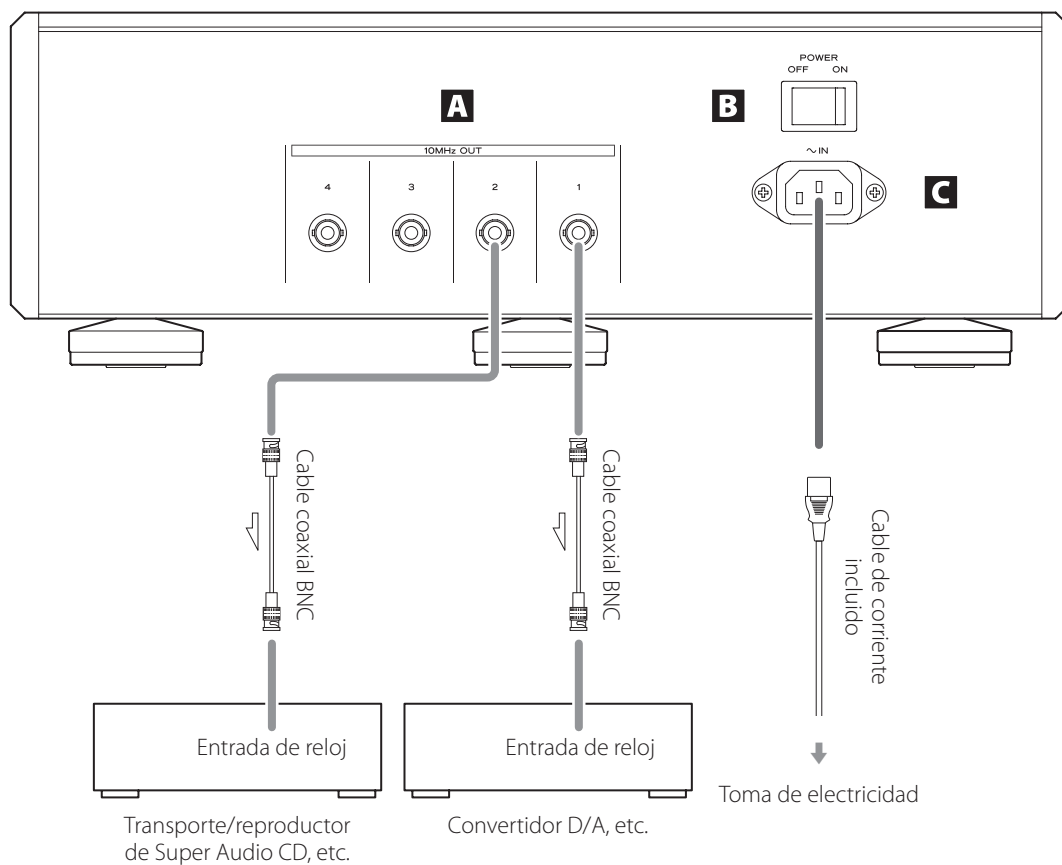
- Coloque en la parte inferior de los soportes de las patas las almohadillas de fieltro incluidas para evitar rayar la superficie sobre la que se ponga la unidad.

Precauciones de uso

- No instale esta unidad donde pueda calentarse. Esto incluye lugares que estén expuestos a la luz solar directa o cercanos a un radiador, calefactor, estufa o cualquier otro aparato de calefacción. Tampoco coloque esta unidad encima de un amplificador u otro equipo que genere calor. Si lo hace, esta unidad podría decolorarse, deformarse o sufrir una avería.
- Para permitir una buena disipación del calor, deje al menos 20 cm (8 pulgadas) entre esta unidad y las paredes u otros componentes del equipo cuando la instale.
Si la coloca en un rack, por ejemplo, deje libres al menos 5 cm (2 pulgadas) por encima de la unidad y 10 cm (4 pulgadas) por detrás.
Si no deja estos espacios libres, el calor puede acumularse en su interior y provocar fuego.
- Coloque la unidad en un lugar estable.
- No coloque nada encima de esta unidad.
- No mueva la unidad durante su utilización.
- Mueva la unidad con cuidado para evitar lesiones, ya que pesa bastante.
Pida a alguien que le ayude si es necesario.
- El voltaje suministrado a la unidad deberá ser el mismo que está impreso en su parte posterior. Si tiene dudas al respecto, consulte a un electricista.
- No abra la carcasa de la unidad porque podría causar daños en los circuitos o una descarga eléctrica. En caso de que se introduzca un objeto extraño en la unidad, contacte con su distribuidor.
- Cuando desenchufe el cable de corriente de la toma de electricidad, tire siempre directamente del conector; nunca tire del cable.

Precauciones al realizar las conexiones

- Termine todas las conexiones antes de enchufar el cable de corriente en una toma de electricidad.
- Lea los manuales de instrucciones de todos los dispositivos que se van a conectar y siga sus indicaciones.
- Para las conexiones que no sean de sincronización de reloj, consulte los manuales de instrucciones de los demás dispositivos.
- Cuando utilice dispositivos independientes, como un transporte de CD y un convertidor D/A, introduzca la señal de reloj desde esta unidad en ambos.



A Terminales 10MHz OUT

Emiten señales de reloj de 10 MHz (onda senoidal, nivel de salida 0,5 Vrms, impedancia de salida 50 Ω).

Conecte estos terminales 10MHz OUT a los terminales de entrada de reloj de reproductores de CD, convertidores D/A u otros dispositivos digitales que admitan entrada de 10 MHz a 0,5 Vrms.


Utilice cables coaxiales BNC (con impedancia de 75 Ω o 50 Ω) de los disponibles en establecimientos comerciales para la conexión.

B Interruptor POWER

Se utiliza para encender y apagar la unidad.


Cuando se enciende la unidad, el indicador de alimentación parpadea o permanece iluminado constantemente.


- Cuando el interruptor POWER se pone en ON, la unidad comienza a calentar el oscilador de cristal (OCXO) hasta alcanzar su temperatura de funcionamiento. La cantidad de tiempo que ha de transcurrir hasta que la frecuencia del oscilador se estabilice dependerá de la temperatura del entorno.

 **Ponga el interruptor POWER de esta unidad en OFF cuando no vaya a utilizarla durante un periodo de tiempo prolongado.**

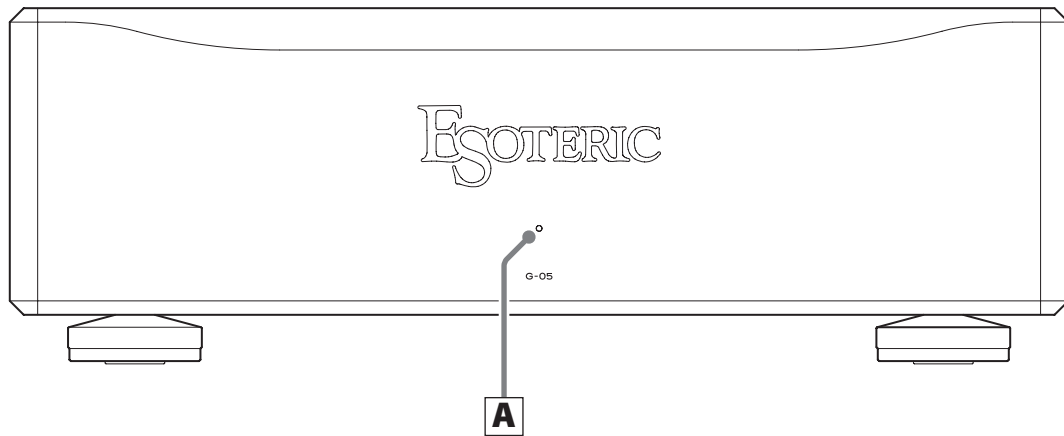
C Entrada para el cable de corriente (~IN)

Conecte en esta entrada el cable de corriente alterna (CA) incluido. Termine todas las conexiones antes de enchufar el cable de corriente en una toma de electricidad.

 **Utilice solamente un cable de corriente ESOTERIC original. El uso de otros cables de corriente puede provocar fuego o descargas eléctricas.**

 **Desenchufe el cable de corriente de la toma de electricidad si no va a utilizar la unidad durante un largo periodo de tiempo.**

Nombres y funciones de las partes

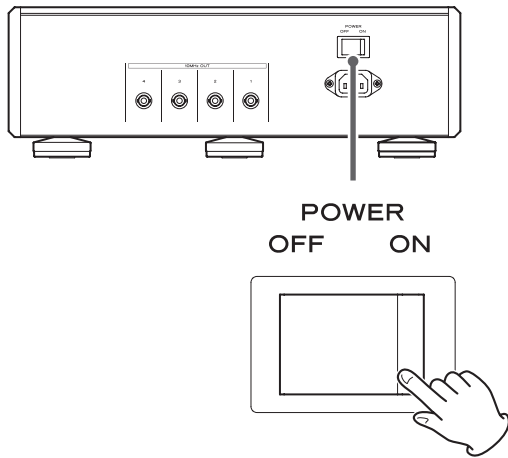


A Indicador de alimentación

Parpadea o luce de forma continua cuando se enciende la unidad, mostrando el estado de reloj.

Parpadea durante el calentamiento. Deja de parpadear y permanece iluminado cuando la salida se estabiliza.

1 Ponga el interruptor POWER de esta unidad en ON para encenderla.



2 Comience la reproducción en el dispositivo conectado después de que se ilumine el indicador de alimentación.

- Es recomendable esperar hasta que el oscilador se estabilice después de haber encendido la alimentación.

Si tiene un problema con este producto, por favor dedique un momento a revisar la información que le proporcionamos a continuación antes de solicitar servicio técnico.

Si aun así este producto no funciona correctamente, póngase en contacto con el distribuidor donde lo compró.

La unidad no se enciende.

- ➔ Compruebe que el cable de corriente está enchufado en una toma de electricidad que funciona.
- ➔ Compruebe que el cable de corriente está correctamente conectado a esta unidad.

La salida de reloj no está sincronizando otro dispositivo.

- ➔ Confirme que el dispositivo conectado admite reloj de 10 MHz a 0,5 Vrms.
Dado que las señales de reloj que pueden ser sincronizadas dependen de cómo esté conectado y configurado cada dispositivo, consulte los manuales de instrucciones de cada dispositivo.

El indicador de alimentación nunca deja de parpadear o comienza a parpadear rápidamente.

- ➔ Póngase en contacto con el establecimiento donde compró la unidad.

Utilice un paño suave y seco para limpiar la superficie de la unidad. Para manchas difíciles, use un paño húmedo que haya sido bien escurrido para eliminar el exceso de líquido.

- Nunca pulverice líquido directamente sobre esta unidad.
- No utilice gamuzas ni paños impregnados con productos químicos, ni disolvente u otras sustancias químicas, ya que pueden dañar la superficie de la unidad.
- Evite que materiales de goma o de plástico estén en contacto con la unidad durante largos períodos de tiempo, ya que pueden dañar la carcasa.



Por seguridad, desenchufe el cable de corriente de la toma de electricidad antes de proceder a la limpieza.

Salidas de reloj

Frecuencia de salida	10 MHz
Precisión de frecuencia	dentro de $\pm 0,01$ ppm (cuando sale de fábrica nuevo)
Terminales BNC	4
Nivel de salida	onda senoidal, $0,5 \pm 0,1$ Vrms/50 Ω

General

Alimentación

Modelo para Europa	CA 220–240 V, 50/60 Hz
Modelo para EE. UU./Canadá	CA 120 V, 60 Hz

Consumo de energía

Dimensiones externas (ancho \times alto \times profundo, salientes incluidos)
380 \times 128 \times 350 mm (15 \times 5 1/8 \times 13 7/8 pulgadas)

Peso

Margen de temperatura de funcionamiento

Accesorios incluidos

Cable de corriente \times 1

Almohadillas de fieltro \times 3

Manual del usuario (este documento) \times 1

Tarjeta de garantía \times 1

- El diseño y las especificaciones están sujetos a cambios sin previo aviso.
- El peso y las dimensiones son aproximados.
- Las ilustraciones de este "Manual del usuario" pueden diferir ligeramente de los modelos de producción.

Dibujos con las dimensiones

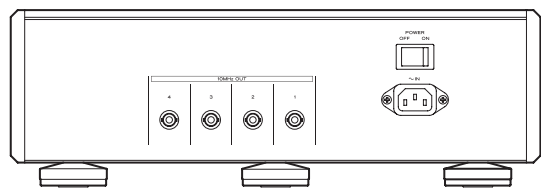
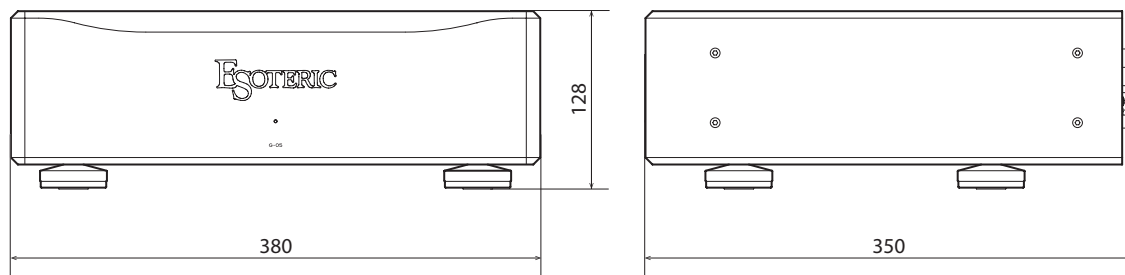
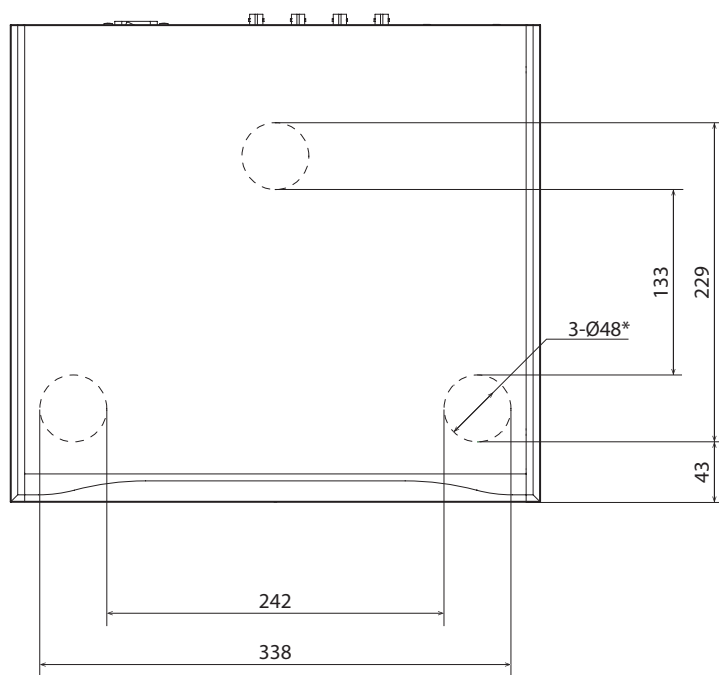


Diagrama de colocación de las patas



Dimensiones en milímetros (mm)
* 3 patas de 48 mm de diámetro

ESOTERIC

ESOTERIC COMPANY

1-47 Ochiai, Tama-shi, Tokyo 206-8530, Japan

Phone: +81-42-356-9156

This product has a serial number located on the rear panel. Please write it here and retain this for your records.

Model name: G-05

Serial number _____

0723-MA-3738A