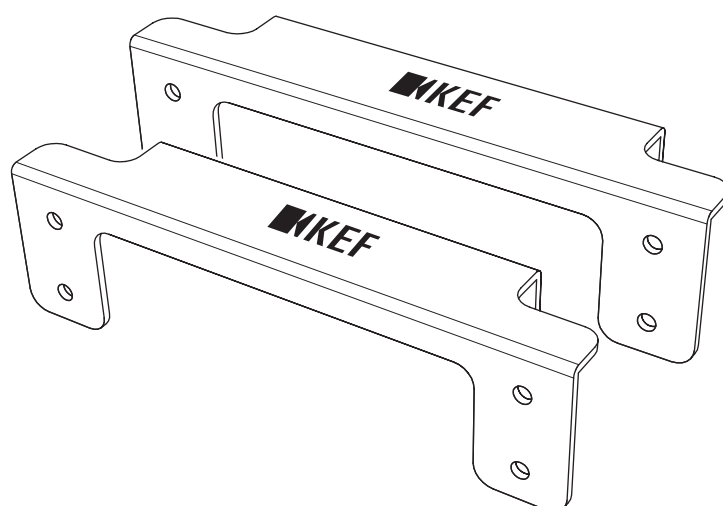




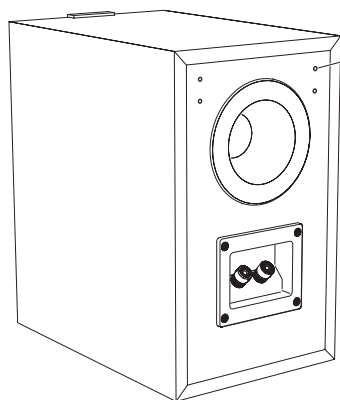
OBSESSED WITH HIGH RESOLUTION



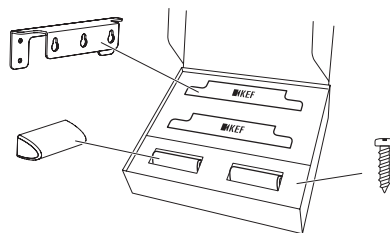
Installation and Speaker Placement Guide

B2 Wall Bracket
(for Q150 & Q350)

Installation Instructions



Pre-drilled holes
(Use provided template to locate
the holes)

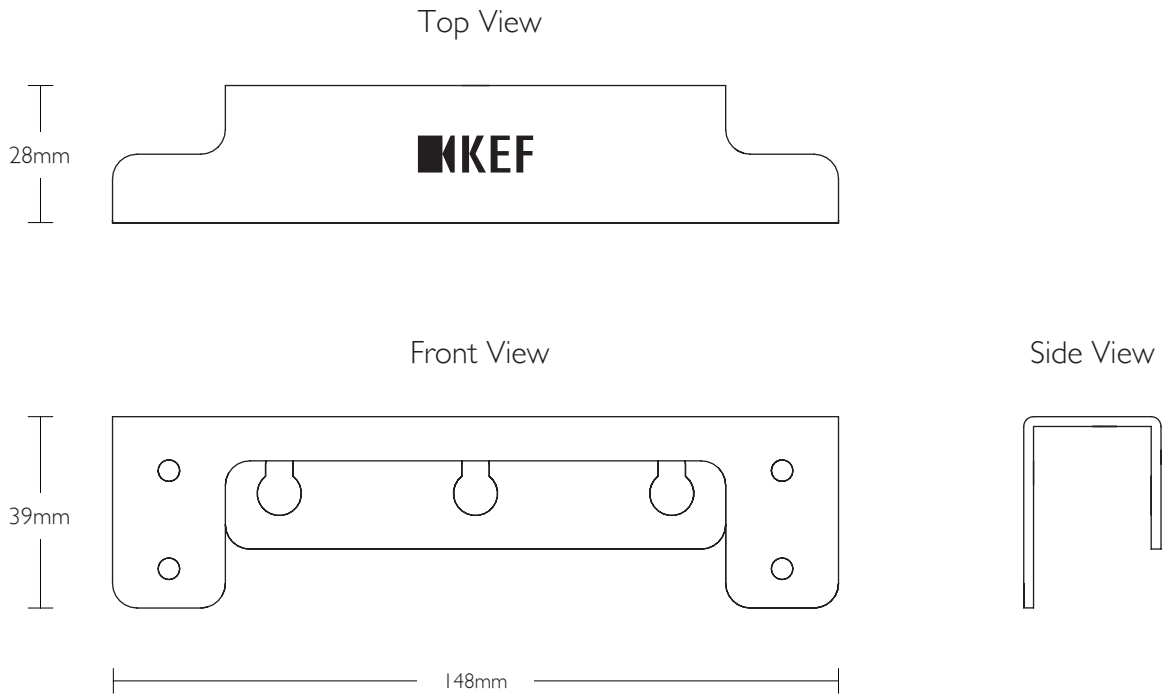


* Speaker not included

<p>1</p> <p>Q150/Q350 template</p>	<p>3</p>
<p>2</p> <p>x4</p>	

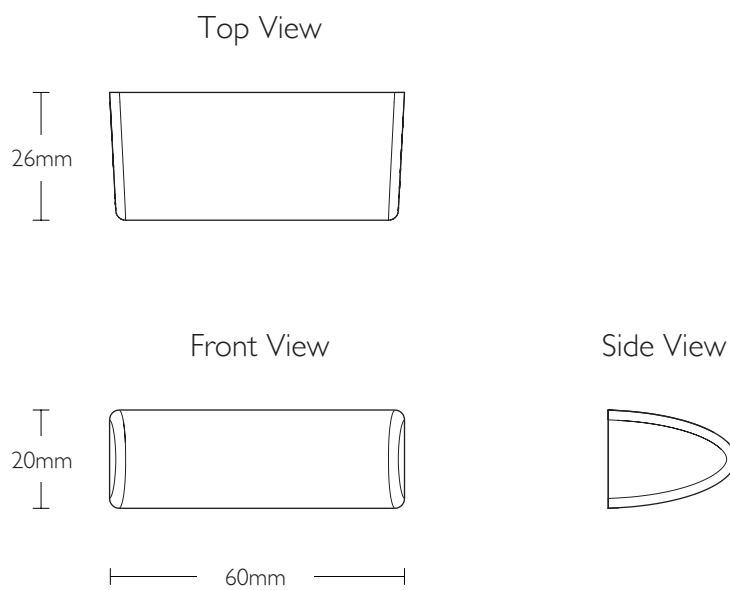
Dimensions

Bracket



Weight per piece: 0.33kg

Rubber

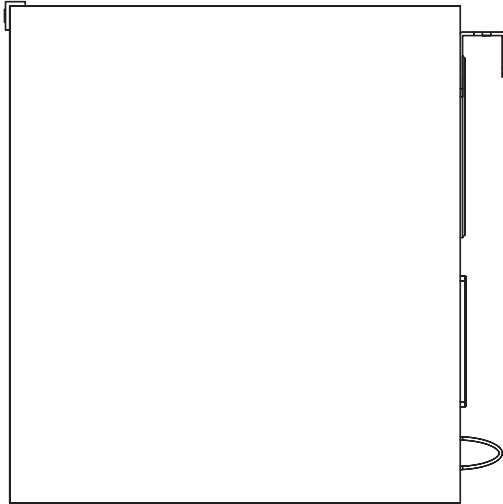


Weight per piece: 32g

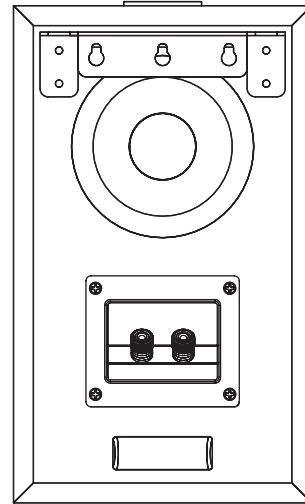
Q150/Q350 Bookshelf Speaker Placement with Wall Bracket

Q150

Side View

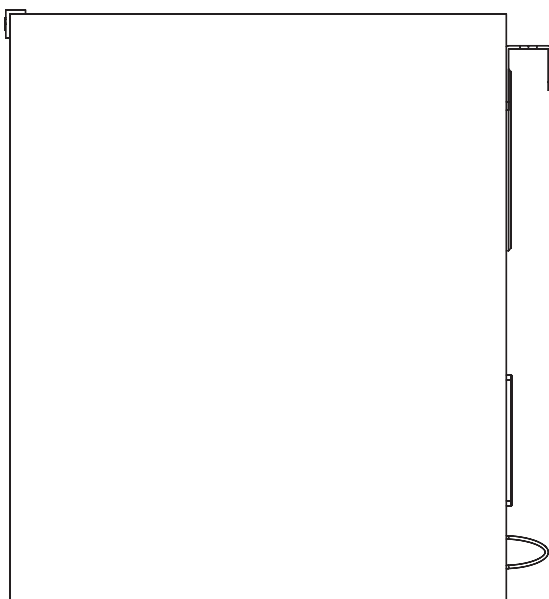


Back View



Q350

Side View



Back View

