

800 Diamond

802 Diamond

### **Welcome and thank you for choosing**

**Bowers & Wilkins.** Our founder, John Bowers, believed that imaginative design, innovative engineering and advanced technology were keys that could unlock the enjoyment of audio in the home. His belief is one that we continue to share and inspires every product we design.

The 800 Series Diamond speakers are very high performance products that reward thoughtful installation, so we would suggest that you take some time to read this manual before you begin the installation process. **Continue to page 4 →**

### **Bienvenido a Bowers & Wilkins. Gracias por elegir**

**Bowers & Wilkins.** John Bowers, nuestro fundador, estaba firmemente convencido de que el diseño imaginativo, la ingeniería innovadora y la tecnología avanzada eran las claves a la hora de llevar el disfrute del sonido a la intimidad del hogar. Una creencia que seguimos compartiendo y que inspira todos y cada uno de los productos que diseñamos.

Las cajas acústicas de la Serie 800 Diamond son productos de muy altas prestaciones que agradecen una instalación a conciencia, por lo que le sugerimos que se tome su tiempo para leer este manual antes de iniciar el proceso de instalación. **Continúa en la página 19 →**

### **Bienvenue et merci d'avoir choisi Bowers et**

**Wilkins.** Lorsque John Bowers a créé sa société, il savait déjà qu'un design imaginatif, une conception innovante et une technologie avancée seraient les clés du plaisir de l'écoute de la musique chez soi. C'est cette philosophie qui, aujourd'hui, continue de nous inspirer pour la conception de chaque nouvel appareil.

Les enceintes 800 Series Diamond sont des modèles à très hautes performances, nécessitant une installation soignée ; aussi nous suggérons vous de prendre le temps de lire ce manuel avant d'en commencer l'installation. **Suite page 9 →**

### **Benvenuti e grazie per aver scelto un prodotto**

**Bowers & Wilkins.** Il nostro fondatore, John Bowers, era convinto che design attraente, capacità d'innovare e tecnologie all'avanguardia fossero fattori vincenti per la riproduzione audio domestica. Le sue idee sono ancor oggi condivise da noi tutti e fonte d'ispirazione per ogni nuovo modello che progettiamo.

I modelli della Serie 800 Diamond sono diffusori di altissime prestazioni che meritano di essere installati in maniera scrupolosa. Vi suggeriamo pertanto di leggere attentamente questo manuale prima di iniziare.

**Continua a pagina 24 →**

### **Willkommen bei Bowers & Wilkins.**

Der Firmengründer John Bowers war der Meinung, dass ein wunderschönes Design, eine innovative Konstruktion und ausgeklügelte Technologien die Schlüssel zu Audio-Entertainment der Extraklasse in Ihrem Zuhause sind. Wir teilen seine Meinung und jedes von uns entwickelte Produkt basiert darauf.

Die Lautsprecher der 800 Serie Diamond sind sehr leistungsstarke Produkte, deren Installation gut durchdacht werden muss. Wir empfehlen daher, sich ein wenig Zeit zu nehmen und diese Bedienungsanleitung vor der Installation zu lesen.

**Fortsetzung auf Seite 14 →**

### **Welkom en dank u voor het kiezen van Bowers**

**& Wilkins.** Onze oprichter John Bowers, was ervan overtuigd dat een fantasievol ontwerp, innovatieve techniek en moderne technologie de sleutels vormden tot muziekbeleving thuis. Het is deze overtuiging waar we nog steeds van uitgaan en die de inspiratie vormt voor elk product dat we ontwerpen.

De 800 Serie Diamond luidsprekers zijn zeer hoogwaardige producten die een zorgvuldige installatie verdienen en daarom raden we u aan dat u de tijd neemt om deze handleiding te lezen voordat u aan het installeren begint. **Lees verder op pagina 29 →**

Добро пожаловать и благодарим вас за приобретение продукта компании Bowers & Wilkins.

Наш основатель, Джон Бауэрс, верил в то, что творческий подход в проектировании, новаторская конструкция и передовые технологии смогут открыть людям путь к подлинному звучанию в доме. Мы продолжаем разделять его веру, и она вдохновляет нас при проектировании всех новых продуктов.

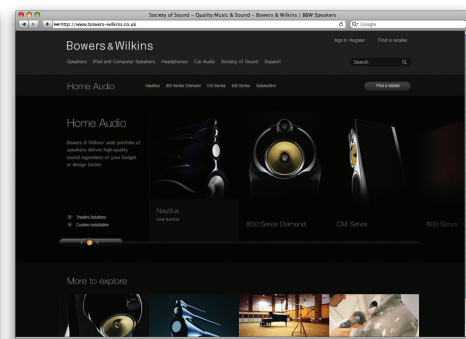
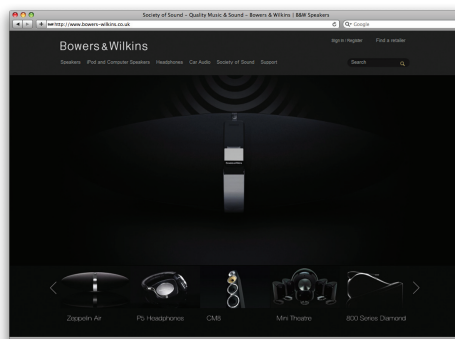
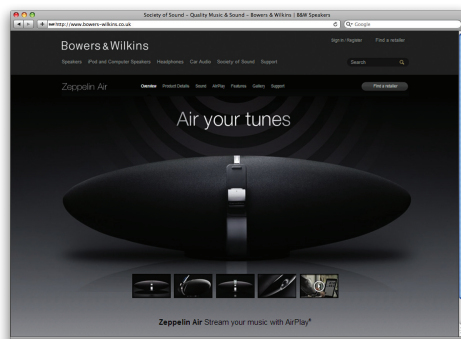
Акустические системы Серии 800 Diamond – это продукт очень высокого качества, который заслуживает хорошо продуманной инсталляции, поэтому мы рекомендуем вам уделить некоторое время на прочтение этого Руководства перед тем как начать процесс установки. **Продолжение на стр. 34** →

欢迎并感谢你选购 Bowers & Wilkins 产品。我们的创办人 John Bowers 先生相信充满想象的设计、创新的工程和先进的技术是开启家庭音响娱乐大门的重要元素。我们依然坚持着他的信念，并赋予我们所有产品设计灵感。

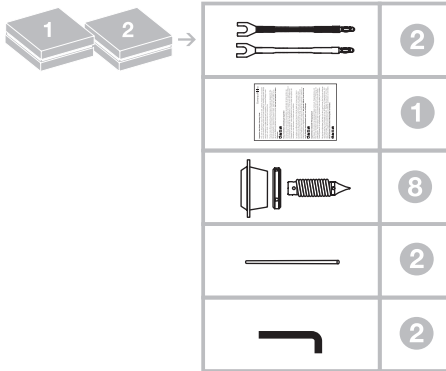
800 Diamond 系列扬声器是一款功能卓越的产品，并深入考虑到它的安装，因此我们建议在开始安装过程前，请花一些时间阅读本手册。 **第 39 页(续)** →

Bowers & Wilkins 製品をお買い上げいただき、ありがとうございます。B&Wの創業者である John Bowers は、創意に富んだデザインと革新的な工業技術、そして先進技術が、家庭でもオーディオを十分に楽しむ鍵であると信じていました。現在でも彼の信念はB&Wで共有されており、この信念はB&Wが設計するすべての製品に命を吹き込んでいます。

800 ダイヤモンド・シリーズは入念な設置・設定に値する非常に高性能なスピーカーです。スピーカーを設置・設定する前にこのマニュアルをよく読んでください。 **44ページに続く** →



## 1. Unpacking Your Speakers



The 800 Diamond and 802 Diamond are very heavy and we strongly suggest that they are unpacked in the room in which they are to be used by two people working together. It is also a sensible precaution to remove jewellery to negate the risk of scratching the speakers' surface finish.

The table above illustrates the component parts that are packed with the 800 Diamond and 802 Diamond. In the unlikely event that anything is missing please contact the retailer from whom you purchased the speakers.



All grilles attach magnetically. When fitting the midrange grille, rotate it to find the alignment with strongest pull.

Tweeter diaphragms are very delicate and easily damaged. Any mishandling of the tweeter grille close to the unit may result in the grille being attracted into the diaphragm. For this reason, the tweeter grille is supplied ready fitted and we recommend that you leave it in place.

The speakers are shipped with roller-glide feet fitted to their undersides to aid manoeuvring them close to their final positions. However, thanks to the extreme weight of the speakers, it is possible for the roller-glides themselves to leave marks in vulnerable floor surfaces. It is advisable therefore to protect the floor using an intermediate layer of carpet or floor tiles, for example, as the speaker is moved.

Once the speaker is close to its final position, the roller-glides can be removed and the adjustable spike or rubber feet fitted. This is described in Section 3.

### Environmental Information

  All Bowers & Wilkins products are designed to comply with international directives on the Restriction of Hazardous Substances (RoHS) in electrical and electronic equipment and the disposal of Waste Electrical and Electronic Equipment (WEEE). These symbols indicate compliance and that the products must be appropriately recycled or processed in accordance with these directives. Consult your local waste disposal authority for guidance.

## 2. Positioning your 800 Diamond or 802 Diamond

### General Guidelines

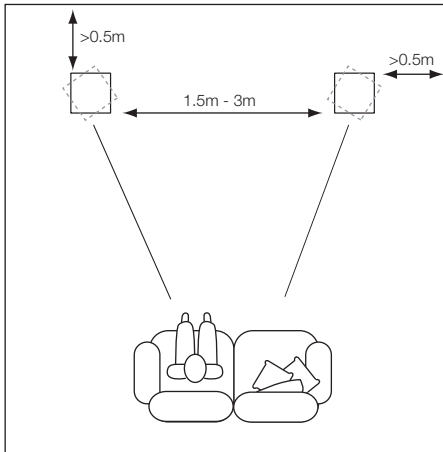
In either stereo or home theatre installations, try to ensure that the immediate surroundings of each speaker are similar in acoustic character. For example, if one speaker is adjacent to bare walls while the other is adjacent to soft furnishings and curtains, both the overall sound quality and the stereo image are likely to be compromised.

The location of room boundaries fundamentally affects the sound of a speaker. As more surfaces come into close proximity, the speaker's bass and lower midrange will become more prominent. At the same time, the speaker's stereo image is likely to become less focussed and portray less depth. The aim when positioning speakers is to find a happy medium between domestic constraints, tonal balance and stereo image quality. Re-visiting and adjusting the position of your speakers following initial installation will probably further improve the sound quality and is usually worthwhile.

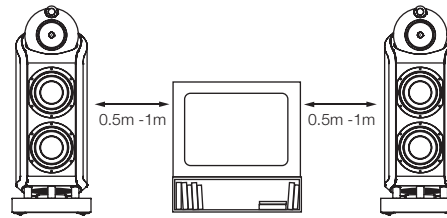
The 800 Diamond and 802 Diamond have an optimum vertical listening window which is designed to cover the average ear height range of seated listeners, between 0.9m and 1.2m. If you have very low seating, the 800 Diamond and 802 Diamond adjustable feet enable a small degree of vertical tilt should this be required. See Section 3.



## 3. Installing and Adjusting The Feet

**Stereo Audio Systems**

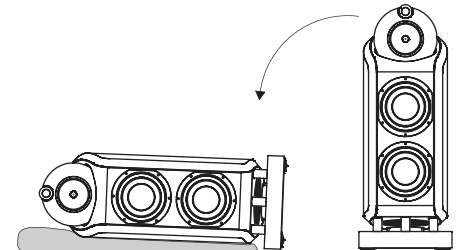
To begin with, the speakers should be positioned between 1.5m and 3m apart and a similar distance away from the listening position. The speakers should be at least 0.5m away from the back wall, and at least 0.5m away from any side walls. It may help the stereo image clarity if the speakers are each angled inward towards the listening position, especially if they are relatively far apart. The diagram above illustrates speaker positioning for stereo audio systems.

**Multi-channel Audio-visual Systems**

If the speakers are to be used for the front channels in a home theatre system they should be placed closer together than for stereo audio because the surround channels tend to widen the stereo image. Positioning the speakers within approximately 0.5m of the sides of the video screen will also help keep the sound image in scale with the visual image. As with conventional stereo positioning, the speakers should ideally be at least 0.5m away from any side walls. The diagram above illustrates speaker positioning for multi-channel audio-visual systems.

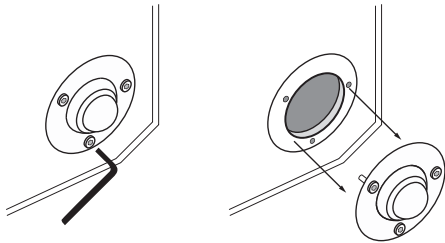
**Stray Magnetic Fields**

The speaker drive units create stray magnetic fields that extend beyond the boundaries of the cabinet. We recommend you keep magnetically sensitive articles (CRT television and computer screens, computer discs, audio and video tapes, swipe cards and the like) at least 0.5m from the speaker. Plasma, LCD and OLED screens are not affected by magnetic fields.



With the speaker close to its final position, the roller-glides can be removed and the adjustable spike or rubber feet fitted. This is described in the following paragraphs and illustrations.

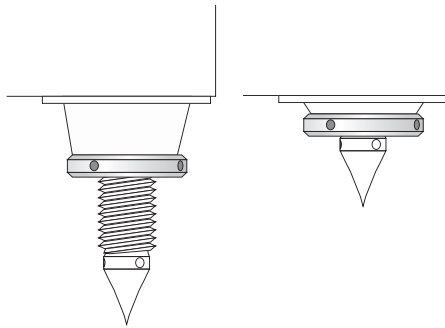
Using a second person to help, gently lay the speaker on its side as illustrated above. Ensure that the surface it lies on will not damage its finish. Despite the fact that it is compliantly mounted and moves a little, the speaker can be handled by gripping its "head" unit. Take care not to touch the drive units while handling the speaker.



Using the TORX driver supplied in the accessory kit, unscrew and remove the four roller-glides as illustrated above. Retain the roller-glides for use should the speaker be moved and re-installed in the future. Once the roller-glides have been removed the supplied adjustable feet may be fitted in their place.

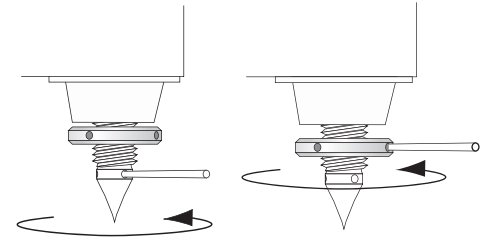
The adjustable feet incorporate a floor spike at one end and a rubber pad at the other end and can be installed with either towards the floor. The spikes are designed to pierce carpet and rest on the floor beneath, both to protect the carpet from indentation and to provide the speaker with a solid foundation. We recommend for optimum performance that the spikes are used but if the nature of the floor precludes their use they can be reversed to present rubber pads to the floor.

*Note: Spike feet can still be used on delicate non-carpeted floors by standing the spikes on coins.*



The adjustable feet are attached to the underside of the speaker via conical threaded bosses that can be fitted in either a protruding or in-set orientation to provide height adjustment, see illustrations above. The height adjustment enables the speaker to be installed with up to 8° downward or upward tilt if required by fitting the bosses the opposite way round front and rear. If you do not intend to tilt the speakers fit all the bosses in-set.

Screw the feet into the bosses, with the spikes or the rubber pads exposed as desired, leaving just enough thread to fit the locking rings. Fit, but do not tighten, the locking rings.

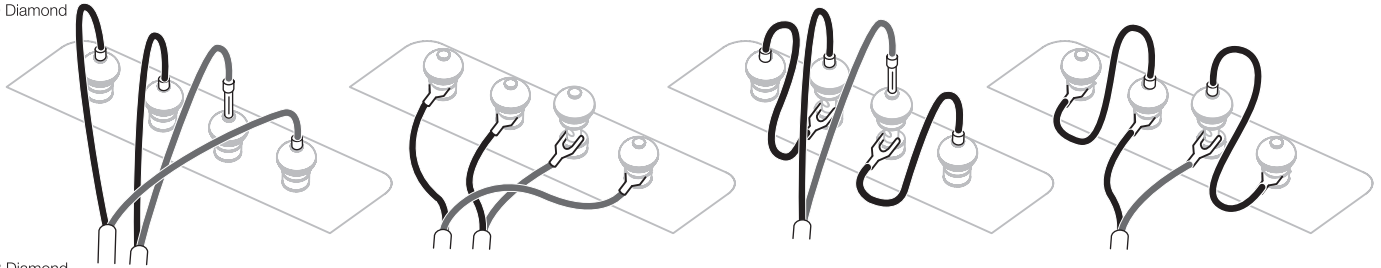


With the adjustable feet fitted the speaker can be carefully returned upright. Take care not to allow the entire weight of the speaker to rest at an angle on one or two feet as it is turned. Also take care that careless handling of the speaker with spikes fitted does not cause injury.

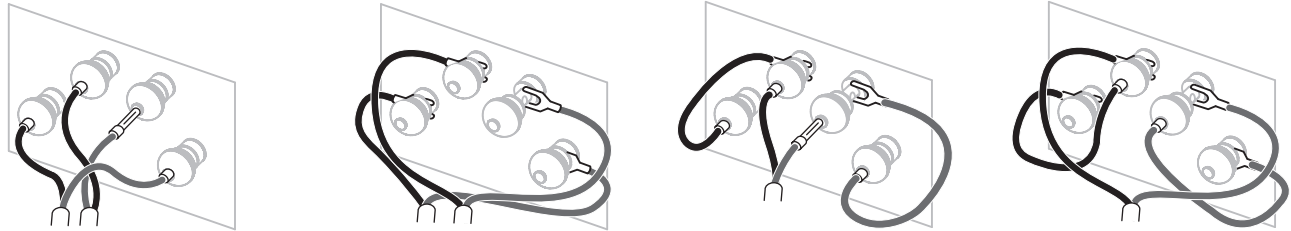
Once the speaker is upright, adjust the feet using the tommy-bar supplied to give the amount of tilt required and to take up any rocking as illustrated above. Finally, tighten the locking ring against the boss, again using the tommy-bar as illustrated above.

## 4. Connecting

800 Diamond



802 Diamond



All connections should be made with the audio equipment switched off.

The 800 Diamond and 802 Diamond speaker terminals accept a variety of cable terminations: 4mm banana plugs, 6mm and 8mm (1/4 in and 5/16 in) spades, or bare wires up to 4mm (5/32 in) diameter.



### Important Safety Notice

In certain countries, notably those in Europe, the use of 4mm banana plugs is considered a potential safety hazard, because they may be inserted into the holes of unshuttered mains supply sockets. In order to comply with European CENELEC safety regulations, the 4mm holes in the ends of the terminals are blocked by plastic pins. If you are using the products in any country where these conditions apply, you should ensure that any banana plugs cannot be used in an unsafe manner by children or other uninformed persons.

Ask your dealer for advice when selecting speaker cable. Keep its total impedance below the maximum recommended in the speaker specification and use a low inductance cable to avoid attenuation of high frequencies.

There are two pairs of terminals at the back of each speaker that enable bi-wiring (left). For conventional, single wire connection, fit the supplied link wires to join the like polarity terminals together (right).

Ensure that the positive terminals on the speaker (with red ring) are connected to the positive output terminal on the amplifier and the negative terminals on the speaker (with black ring) are always connected to the negative output terminal on the amplifier. Incorrect connection will not result in damage but will cause poor stereo imaging and loss of bass. Always screw the terminal caps down fully to prevent rattles.

*Note: Bi-wiring separates the signal paths to each section of the speaker and can improve both stereo imaging and detail resolution. It also enables the use of different types of cable for each frequency band.*

*Bi-amplification goes a stage further and involves the use of two independent power amplifier channels for each speaker. This is not the same as a fully "active" drive as the speaker's internal passive crossover is still used. If bi-amplification is employed, ensure that each amplifier channel has the same gain, otherwise the speaker's tonal balance will be distorted.*

*Check also the absolute polarity of the amplifiers. Some amplifiers invert the signal, and their use in combination with non-inverting types will result in a distorted frequency response. If you have a mixture of inverting and non-inverting amplifiers, reverse the polarity of the speaker connections from the inverting amplifier.*

*Bear in mind that, even though midrange and, even more so, tweeter drivers can (and only need to) handle less continuous power than bass drivers, the amplifier feeding them needs to have an adequate voltage swing in order to supply the short-term high-frequency peaks in music without distortion. A high voltage capability implies high power, so it is not particularly desirable to have a lower powered amplifier feeding the midrange and tweeter than is used for bass drivers.*

## 5. Fine Tuning

Before fine tuning, double check that all the connections in the installation are correct and secure.

Moving the speakers further from the walls will reduce the general level of bass. Space behind the speakers also helps to create an impression of depth. Conversely, moving the speakers closer to the walls will increase the level of bass and potentially reduce the impression of depth.

If the bass is uneven with frequency, it is usually due to the excitation of resonance modes in the room. Even small changes in the position of the speakers or the listeners can have a profound effect on how these resonances affect the sound. Try positioning the speakers along a different wall. Even moving large items of furniture can have an effect.

If the sound is too harsh, increase the amount of soft furnishing in the room (for example, use heavier curtains), or reduce it if the sound is dull and lifeless. Test for flutter echoes by clapping your hands and listening for rapid repetitions. Reduce flutter echoes by the use of irregular shaped surfaces such as bookshelves and large pieces of furniture.

For the most discerning listening, remove the bass and midrange grilles by gripping around their edges and gently pulling them away from the cabinet.

## 6. Running In

The performance of your speakers may change subtly during the initial listening period. If they have been stored in a cold environment, the damping compounds and suspension materials of the drive units will take some time to recover their correct mechanical properties. The drive unit suspensions will also loosen up during the first hours of use. The time taken for the speakers to achieve their intended performance will vary depending on previous storage conditions and how it is used. As a guide, allow up to a week for the temperature effects to stabilise and 15 hours of average use for the mechanical parts to attain their intended design characteristics.

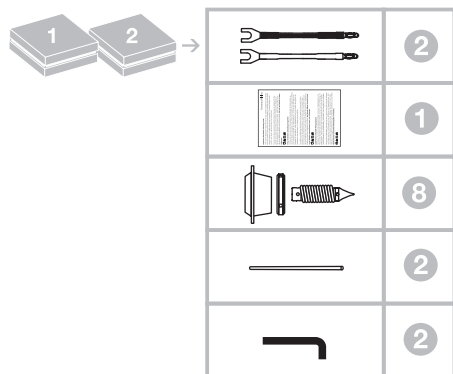
Longer run-in periods (as long as a month) are also sometimes reported and there is evidence to suggest that these have little to do with speakers changing and more to do with listeners becoming familiar with the new sound. This is especially so with highly revealing speakers such as the 800 Series Diamond, where there may be a significant increase in the amount of musical detail compared with what listeners have previously been used to.

## 7. Aftercare

800 Series Diamond cabinet surfaces will usually only require dusting. We recommend you use the cloth supplied with the product. If you wish to use an aerosol or other cleaner, apply the cleaner onto the cloth, not directly onto the product and test a small area first, as some cleaning products may damage some of the surfaces. Avoid products that are abrasive, or contain acid, alkali or anti-bacterial agents. Do not use cleaning agents on the drive units. Avoid touching the drive units as damage may result.

Whenever Bowers & Wilkins speakers are finished in real wood, the finest veneers are selected and treated with an ultra-violet resistant lacquer to minimise changes in colour over time. Nevertheless, like all natural materials, the veneer will respond to its environment and a degree of colour change is to be expected. Colour differences may be rectified by exposing all the veneer surfaces equally and evenly to sunlight until the colour is uniform. This process can take several days or even weeks, but may be accelerated by careful use of an ultra-violet lamp. Wood veneered surfaces should also be kept away from direct sources of heat such as radiators and warm air vents in order to minimise the possibility of the wood veneer cracking.

## 1. Déballage de vos enceintes acoustiques



Les 800 Diamond et 802 Diamond sont très lourdes, et nous vous conseillons de les déballer dans la pièce où elles doivent être installées, par deux personnes simultanément. Nous vous recommandons également d'ôter tout bijou susceptible de rayer la finition des enceintes.

Le tableau ci-dessus énumère tous les éléments contenus dans l'emballage avec les 800 Diamond ou 802 Diamond. Au cas fort peu probable où un de ces éléments serait manquant, veuillez contacter immédiatement le revendeur auprès duquel vous avez acheté les enceintes.

Les grilles frontales sont fixées par des aimants. Lors de la fixation de la grille du médium, tournez-la pour trouver l'attraction magnétique la plus forte.

Les diaphragmes des tweeters sont fragiles et peuvent facilement être endommagés. Une fausse manœuvre lors de la mise en place de leur grille pourrait se traduire par un contact involontaire entre celle-ci et le diaphragme. C'est pourquoi la grille du tweeter est livrée déjà en place, et nous vous recommandons de la laisser toujours en place.

## 2. Installation de vos 800 Diamond ou 802 Diamond

Les enceintes sont livrées avec des pieds à roulettes qui facilitent leur installation à leur position définitive. Cependant, compte tenu du poids très élevé des enceintes, il reste possible que ces roulettes laissent des marques sur les revêtements de sol les plus fragiles. Nous vous conseillons donc de protéger le sol, en utilisant une plaque de moquette ou un tapis intermédiaire, ou des patins, par exemple, lors des déplacements de chaque enceinte.

Une fois chaque enceinte installée dans sa position finale, ces pieds à roulettes peuvent être retirés pour la fixation des pieds caoutchouc ou pointes définitifs. Ceci est décrit dans la Section 3.

### Information concernant l'environnement



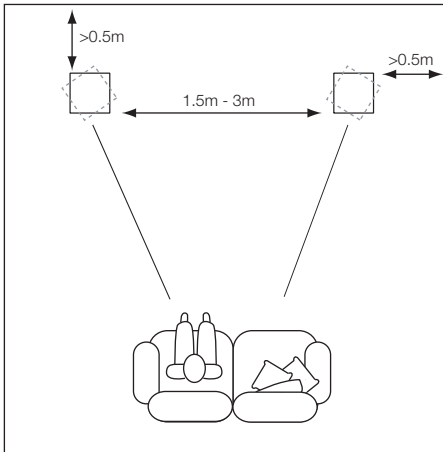
Tous les produits Bowers & Wilkins sont fabriqués avec le respect des directives internationales concernant la restriction sur l'utilisation de substances dangereuses Restriction of Hazardous Substances (RoHS) dans les équipements électriques et électroniques, et sur leur mode de traitement Waste Electrical and Electronic Equipment (WEEE). Ces symboles indiquent leur compatibilité totale, et la possibilité de leur recyclage ou traitement dans le respect de ces directives. Consultez le service de récupération des déchets dans votre zone géographique pour de plus amples informations.

### Règles générales

Dans toute installation stéréo ou Home Cinema, il convient de faire en sorte que l'environnement acoustique de chaque enceinte soit le plus homogène possible. Par exemple, si une enceinte se trouve près d'une baie vitrée très réfléchissante, et l'autre, au contraire, près d'un meuble très absorbant, la qualité sonore générale tout comme l'image stéréo risquent fort d'être compromis.

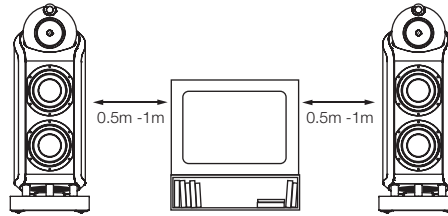
La présence de résonances de salle affecte le son d'une enceinte acoustique. Plus une surface importante se trouve à proximité de celle-ci, plus le grave et le bas-médium risquent de devenir proéminents. Parallèlement, l'image stéréo devient moins bien focalisée et présente moins de profondeur. L'idéal, lors de l'installation des enceintes acoustiques, consiste à trouver le meilleur compromis entre les contraintes domestiques, l'équilibre des timbres et la qualité de l'image stéréo. Essayer différentes positions et régler soigneusement la position des enceintes lors de l'installation initiale permet certainement d'en améliorer notablement la qualité sonore, et s'avère toujours très utile.

Les 800 Diamond et 802 Diamond ont une fenêtre verticale d'écoute optimale, conçue pour s'adapter à une hauteur d'oreille moyenne des auditeurs assis comprise entre 0,9 et 1,2 m. Si vous êtes assis plus bas, le réglage des pieds des 800 Diamond et 802 Diamond permet de les basculer très légèrement si nécessaire. Voir la Section 3.



#### Systèmes audio stéréo

Pour débiter, les enceintes doivent être séparées de 1,5 m à 3 m, avec une distance d'écoute similaire. Les enceintes doivent être éloignées du mur arrière d'au moins 0,5 m, tout comme des murs latéraux. L'image stéréo peut être améliorée en orientant chaque enceinte vers la zone centrale d'écoute, surtout si elles sont éloignées l'une de l'autre et de cette zone d'écoute. Les schémas ci-dessus illustrent des types d'installation pour les systèmes audio stéréo.

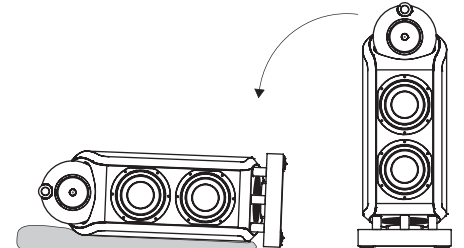


#### Systèmes audiovisuels multicanal

Si les enceintes sont utilisées comme enceintes principales avant dans une installation Home Cinema, elles doivent être plus rapprochées l'une de l'autre que dans le cas d'une installation stéréo, ceci parce que les canaux Surround ont tendance à élargir la scène sonore. Placez les enceintes approximativement à 0,5 m des côtés de l'écran vidéo, afin de conserver un bon rapport entre l'image sonore et celle visible sur l'écran. Comme précédemment, les enceintes doivent de préférence être éloignées d'au moins 0,5 m des murs latéraux. Le schéma ci-dessus illustre une installation pour les systèmes audiovisuels.

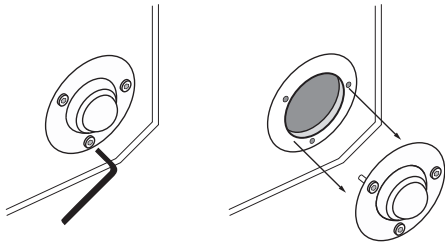
#### Champs magnétiques

Les haut-parleurs dans les enceintes génèrent des champs magnétiques qui dépassent largement le volume de l'enceinte. Nous vous recommandons donc de tenir éloignés tous les objets sensibles aux champs magnétiques (télévisions à tube cathodique, moniteurs informatiques, disques durs des ordinateurs, cassettes et bandes audio et vidéo, cartes magnétiques, etc.) d'au moins 0,5 m des enceintes acoustiques. Les écrans plasma, LCD et OLED ne sont pas affectés par ces champs magnétiques.



Une fois les enceintes installées à leur position finale, les pieds-roulettes peuvent être retirés et les pieds caoutchouc ou les pointes fixés. Cette procédure est décrite dans les paragraphes et illustrations suivants.

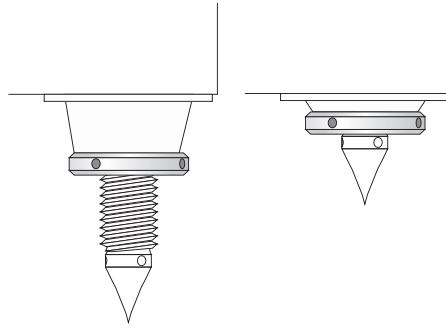
Avec l'aide d'une seconde personne, posez doucement l'enceinte sur le côté comme illustré ci-dessus. Assurez-vous que la surface sur laquelle elle repose ne risque pas de l'endommager. Bien qu'elle soit volontairement montée de manière souple et bouge donc un peu, l'enceinte peut être saisie par sa "tête". Veuillez surtout à ne pas toucher les haut-parleurs lorsque vous manipulez l'enceinte.



En utilisant le tournevis TORX fourni dans le kit d'accessoires, dévissez puis ôtez les quatre pieds-roulettes comme illustré ci-dessus. Conservez-les soigneusement, pour les réutiliser si vous devez déplacer et réinstaller les enceintes dans le futur. Une fois ces pieds-roulettes retirés, les pieds définitifs peuvent être mis en place.

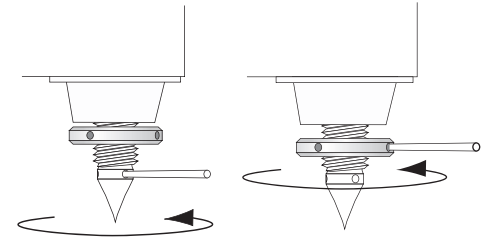
Les pieds réglables proposent une pointe à une extrémité, et un patin de caoutchouc à l'autre extrémité, chacun pouvant être choisi pour être en contact avec le sol. Les pointes sont conçues pour transpercer la moquette et assurer une assise très stable sur le sol proprement dit, tout en évitant toute dégradation de la moquette par déplacement de l'enceinte. Nous recommandons d'utiliser les pointes, mais la nature de certains sols nécessitera l'utilisation des patins en caoutchouc, utilisables en retournant simplement chaque pied.

*Note : les pointes peuvent également être utilisées sur des sols fragiles, non recouverts de moquette, en plaçant une pièce métallique sous chaque pointe.*



Les pieds réglables sont fixés sous l'enceinte via des filetages coniques, qui peuvent être montés en saillie ou en affleurement, comme illustré ci-dessus, afin d'assurer le réglage en hauteur correct. Ce réglage permet de pencher l'enceinte jusqu'à 8° d'inclinaison, en modifiant le mode d'installation entre les pieds avant et les pieds arrière. Si vous ne souhaitez pas bénéficier de cette inclinaison, montez tous les pieds en affleurement.

Vissez les pieds dans leur logement, avec les pointes ou les patins caoutchouc exposés, comme désiré, en laissant suffisamment de filetages pour utiliser les anneaux de verrouillage. Enfilez, mais ne serrez pas, ces anneaux de verrouillage.

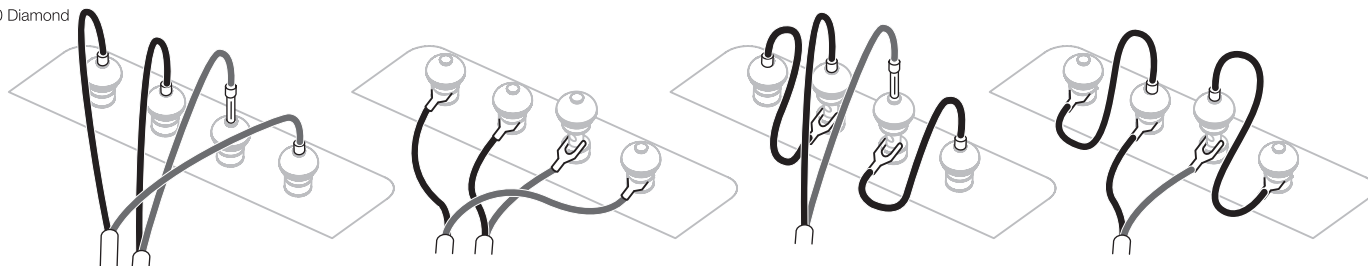


Une fois les quatre pieds fixés, l'enceinte peut être reposée sur ceux-ci, en procédant très soigneusement. Évitez notamment que tout le poids de l'enceinte ne repose que sur un ou sur deux des pieds pendant son basculement. Assurez-vous également qu'aucune pointe ne puisse causer de blessure pendant cette opération.

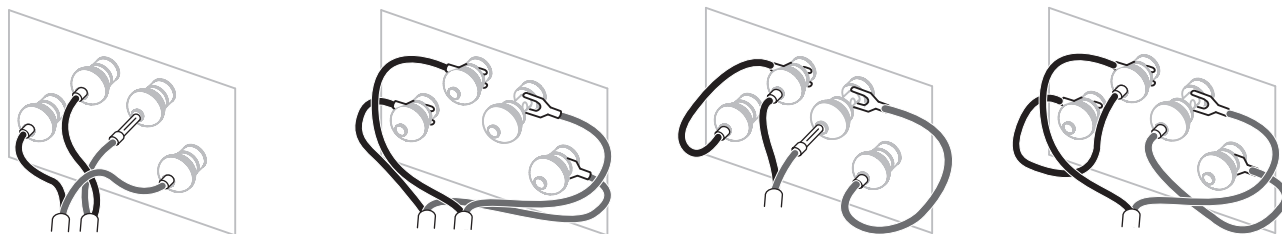
Une fois l'enceinte redressée, réglez la hauteur de chaque pied en utilisant la clé-levier fournie pour obtenir l'angle de basculement souhaité, et pour éviter toute instabilité de l'enceinte, comme illustré ci-dessus. Enfin, vissez toutes les bagues de verrouillage contre les filetages, en utilisant de nouveau la clé-levier fournie, comme illustré ci-dessus.

## 4. Branchement

800 Diamond



802 Diamond



Les branchements ne doivent être effectués qu'avec tous les appareils audio éteints.

Les prises de branchement des 800 Diamond et 802 Diamond acceptent une grande variété de terminaisons de câbles : prises banane 4 mm, fourches 6 mm et 8 mm, ou fil nu jusqu'à 4 mm de diamètre.



### Note importante concernant la sécurité

Dans certains pays, notamment en Europe, l'utilisation de fiches banane est considérée comme un risque potentiel d'électrocution, parce que de telles prises peuvent être insérées dans des prises d'alimentation secteur murales non protégées. Afin de satisfaire aux normes de sécurité européennes CENELEC, les trous de 4 mm de ces prises sont donc bloqués par des bouchons en plastique. Si vous utilisez ces prises dans des pays où cette norme de sécurité s'applique, vous devez absolument vous assurer que les fiches banane ne pourront pas être utilisées de manière dangereuse, notamment par des enfants ou des personnes non informées.

Demandez conseil à votre revendeur pour le choix des câbles de liaison enceintes. Conservez toujours une impédance totale inférieure au maximum recommandé dans les spécifications de l'enceinte et utilisez un câble de faible capacitance pour éviter une atténuation des plus hautes fréquences.

Il y a deux paires de prises à l'arrière de chaque enceinte, afin de permettre le bi-câblage. Pour une liaison conventionnelle avec un seul câble (illustration de gauche), utilisez les câbles fournis permettant de relier les prises de même polarité sur l'enceinte (illustration de droite).

Assurez-vous que les prises positives de l'enceinte (avec l'anneau rouge) sont bien branchées sur les prises de sortie positives de l'amplificateur, et les prises négatives de l'enceinte (avec l'anneau noir) sont bien branchées sur les prises de sortie négatives de l'amplificateur. Une intervention ne produira aucun dommage, mais entraînera une mauvaise image stéréo et une perte de grave. Toujours visser complètement les prises afin d'éviter toute vibration.

*Note : le bi-câblage permet de séparer le trajet du signal pour les deux sections principales de l'enceinte, ce qui peut améliorer simultanément l'image stéréo et la résolution des détails. Cela permet également d'utiliser deux types de câbles différents pour chaque bande de fréquences.*

*La bi-amplification va encore plus loin, nécessitant l'utilisation de deux canaux d'amplification de puissance indépendants pour chaque enceinte. Il ne s'agit pas encore d'une véritable enceinte "active", puisque le filtre passif interne à l'enceinte est encore utilisé. Si vous choisissez une bi-amplification, assurez-vous que le gain de chaque amplificateur est bien identique, sous peine de détériorer l'équilibre tonal de l'enceinte ou même d'engendrer de la distorsion.*

*Vérifiez également la polarité absolue des amplificateurs. Certains amplificateurs inversent en effet la polarité du signal, et leur utilisation avec un second amplificateur non-inverseur entraînera des distorsions dans la réponse en fréquence totale. Si vous utilisez deux amplificateurs de phase contraire, inversez simplement la polarité du câble sur l'amplificateur inverseur.*

*N'oubliez jamais que dans le médium et, encore plus, dans l'aigu, les haut-parleurs (et donc surtout les tweeters) peuvent supporter moins de puissance continue que les haut-parleurs de grave. L'amplificateur utilisé doit donc fournir une tension adéquate, correspondant aux crêtes instantanées que les haut-parleurs peuvent réellement supporter sur programme musical, sans distorsion. Cependant, une tension élevée implique une puissance élevée, et il n'est pas forcément conseillé d'utiliser un amplificateur de puissance plus faible pour le médium et pour l'aigu que pour les haut-parleurs de grave.*



## 5. Réglage fin

Avant de peaufiner les réglages, vérifiez une dernière fois que tous les branchements de l'installation sont corrects et de bonnes qualités.

Eloigner les enceintes des murs de la pièce se traduit généralement par une réduction du niveau général du grave. Un bon espace derrière les enceintes permet de plus d'accroître l'impression de profondeur sonore. Inversement, le rapprochement des enceintes des murs de la pièce aura pour effet d'augmenter le niveau de grave perçu et de diminuer la profondeur de l'image sonore.

Si le grave semble variable en fonction de la fréquence, cela est généralement dû à l'excitation de certaines fréquences en fonction des modes de résonance de la pièce d'écoute. En déplaçant même légèrement les enceintes dans la pièce, on peut obtenir de très nettes améliorations face à ces résonances. Vous pouvez également tenter de disposer les enceintes le long d'un autre mur de la pièce. Le fait de déplacer les meubles les plus gros peut également avoir des effets très sensibles.

Si le son vous semble trop dur, augmentez le nombre de meubles et éléments amortissants dans la pièce (par exemple, utilisez un ou plusieurs tapis ou rideaux épais). Inversement, réduisez le nombre d'éléments amortissants si le son vous paraît voilé ou trop manquant de vivacité. Testez la réverbération excessive en frappant dans vos mains, et en écoutant particulièrement les répétitions rapides de sons. Vous pouvez réduire ce phénomène d'échos en multipliant les surfaces irrégulières, avec par exemple une bibliothèque ou des meubles importants.

Pour une écoute encore plus précise, retirez les grilles de protection des haut-parleurs médium et grave en les prenant par leurs angles et en tirant très doucement vers l'avant.

## 6. Rodage

Les performances de vos enceintes acoustiques peuvent changer subtilement après les premières périodes d'écoute. Si elles ont été stockées dans un environnement froid, leurs composants d'amortissement et les suspensions demanderont un certain délai avant de récupérer leurs propriétés mécaniques normales. La suspension du haut-parleur se libérera également après les premières heures d'utilisation. Le temps nécessaire pour que les enceintes acoustiques acquièrent leurs conditions optimales de fonctionnement dépend de leurs conditions de stockage et de la manière dont elles sont utilisées. Comme guide, prévoyez une semaine pour que les effets de la température se stabilisent, et une quinzaine d'heures d'utilisation moyenne pour que les parties mécaniques atteignent leurs caractéristiques de fonctionnement prévues.

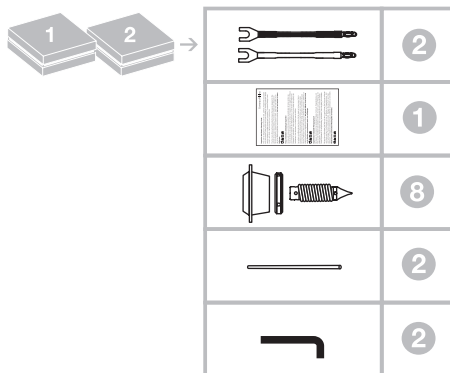
Des périodes de rodage plus longues (supérieures à un mois) sont parfois signalées, mais il semble évident que cela est plus dû à la nécessité de se familiariser avec les nouvelles enceintes, pour les auditeurs habitués à un son différent. Ceci est spécialement sensible avec des enceintes comme celles de la gamme 800 Series Diamond, capables de fournir une quantité et une qualité de détails musicaux bien supérieures aux modèles que leurs utilisateurs utilisaient précédemment.

## 7. Entretien

Les surfaces du coffret des enceintes 800 Series Diamond ne requièrent normalement qu'un dépoussiérage. Nous vous recommandons d'utiliser le chiffon fourni avec l'appareil. Si vous souhaitez utiliser un aérosol ou un produit d'entretien, appliquez-le sur le chiffon et non directement sur l'appareil, puis testez d'abord ses effets sur une petite surface, certains produits pouvant endommager les surfaces. Évitez tout produit abrasif, ou contenant de l'acide, de l'ammoniaque, ou des agents anti-bactériens. Ne jamais utiliser de produits d'entretien sur les haut-parleurs. Évitez de toucher les haut-parleurs, car vous pourriez les endommager définitivement.

Lorsque les enceintes Bowers & Wilkins utilisent un placage bois véritable, les plus fins vernis sont utilisés et bénéficient d'un traitement avec une laque résistante aux ultra-violets, afin de réduire les modifications de teinte avec le temps. Cependant, comme avec tous les matériaux naturels, qui réagissent à leur environnement, des modifications de teinte sont possibles. Ces différences de teintes peuvent être rectifiées en exposant toutes les surfaces du bois de manière égale à la lumière du soleil, jusqu'à ce que la teinte redevienne uniforme. Cette procédure peut prendre plusieurs jours, voire plusieurs semaines, mais peut être accélérée en utilisant une lampe ultra-violette. Les placages de bois naturel doivent être éloignés des sources de chaleur comme les radiateurs ou l'air chaud soufflant, afin de minimiser autant que possible les craquelures du bois.

## 1. Auspacken der Lautsprecher



Die 800 Diamond und die 802 Diamond sind sehr schwer und wir empfehlen, sie in dem Raum, in dem sie später stehen werden, mit zwei Personen auszupacken. Um ein Zerkratzen der Lautsprecheroberfläche zu vermeiden, ist Schmuck vorher abzunehmen.

Der Abbildung oben können Sie entnehmen, welches Zubehör zum Lieferumfang der 800 Diamond und der 802 Diamond gehört. Sollte der unwahrscheinliche Fall eintreten, dass ein Teil fehlt, so setzen Sie sich bitte zunächst mit dem Fachhändler in Verbindung, bei dem Sie die Lautsprecher gekauft haben.

Alle Grills werden magnetisch befestigt. Drehen Sie den Grill für den Mitteltöner beim Anbringen, um dadurch die richtige Ausrichtung zu finden.

Die Hochtönmembranen sind sehr empfindlich und können daher leicht beschädigt werden. Jeder falsche Handgriff am Hochtongrill kann dazu führen, dass der Grill in die Membran gedrückt wird. Aus diesem Grund ist er bereits am Hochtöner befestigt und wir empfehlen, ihn dort zu lassen.

## 2. Positionierung Ihrer 800 Diamond bzw. 802 Diamond

Die Lautsprecher werden mit Rollen geliefert, die am Lautsprecherboden befestigt sind. Dadurch können Sie sie in die Nähe ihrer endgültigen Position bringen. Jedoch kann es aufgrund des hohen Gewichts der Lautsprecher sein, dass auch die Rollen Spuren auf empfindlichen Böden hinterlassen. Daher sollten Sie den Boden während des Transports beispielsweise durch Unterlegen von Teppichschichten oder Bodenfliesen schützen.

Befindet sich der Lautsprecher in der Nähe seines endgültigen Platzes, so können die Rollen entfernt und die einstellbaren Spikes oder Gummifüße angebracht werden. Weitere Informationen hierzu erhalten Sie in Kapitel 3.

### Umweltinformation



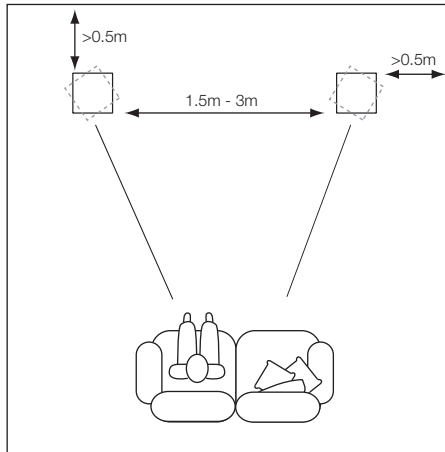
Bowers & Wilkins-Produkte entsprechen den internationalen Richtlinien über die Beschränkung der Verwendung bestimmter gefährlicher Stoffe in Elektro- und Elektronikgeräten (Restriction of Hazardous Substances (kurz RoHS genannt)) und über Elektro- und Elektronik-Altgeräte (Waste Electrical and Electronic Equipment (WEEE)). Die Symbole stehen für deren Einhaltung und besagen, dass die Produkte ordnungsgemäß recycelt oder diesen Richtlinien entsprechend entsorgt werden müssen.

### Allgemeine Hinweise

Achten Sie in Stereo- und Heimkinoinstallationen darauf, dass die akustischen Eigenschaften in unmittelbarer Umgebung der Lautsprecher gleich sind. Befindet sich beispielsweise ein Lautsprecher in der Nähe einer kahlen Wand, während der andere Lautsprecher von weichen Einrichtungsgegenständen und Vorhängen umgeben ist, so werden die Klangqualität insgesamt und das Stereo-Klangbild immer einen Kompromiss darstellen.

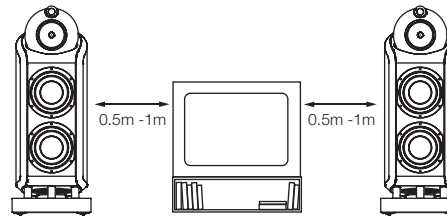
Die Position der Raumgrenzen hat einen erheblichen Einfluss auf den Klang eines Lautsprechers. Je mehr Oberflächen sich in nächster Nähe der Lautsprecher befinden, desto stärker ist die Wirkung der Tieftönen und der tiefen Mitteltonfrequenzen. Gleichzeitig ist das Stereo-Klangbild des Lautsprechers weniger fokussiert und vermittelt weniger Tiefe. Das Ziel bei der Positionierung der Lautsprecher besteht darin, trotz bestimmter Bedingungen im Raum eine möglichst gute klangliche Balance und ein möglichst gutes Stereo-Klangbild zu erzielen. Die Position Ihrer Lautsprecher nach der ersten Installation zu optimieren macht in der Regel Sinn und führt zu einer verbesserten Klangqualität.

Die 800 Diamond und die 802 Diamond haben ein optimales vertikales Hörfenster, wenn die durchschnittliche Ohrhöhe des sitzenden Hörers zwischen 0,9 und 1,2 m liegt. Sitzen Sie sehr tief, so kann, falls erforderlich, der vertikale Neigungswinkel der 800 Diamond und der 802 Diamond dank der einstellbaren Füße geringfügig verändert werden.



#### Stereo-Audiosysteme

Zunächst sind die Lautsprecher in einem Abstand von 1,5 bis 3,0 m in zwei Ecken eines gleichseitigen Dreiecks zu platzieren, das an der dritten Ecke durch die Hörposition vervollständigt wird. Der Mindestabstand zur Rückwand und zu den Seitenwänden sollte 0,5 m betragen. Stehen die Lautsprecher relativ weit auseinander, so kann die Qualität des Stereo-Klangbildes verbessert werden, indem die Lautsprecher nach innen in Richtung Hörposition geneigt werden. Die Abbildung oben zeigt die Lautsprecherpositionierung in Audio-Stereosystemen.

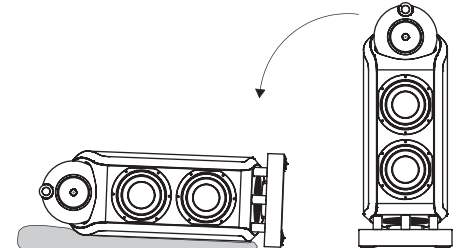


#### Mehrkanal-A/V-Systeme

Werden die Lautsprecher für die Frontkanäle eines Heimkinosystems genutzt, so sollten die Lautsprecher näher zusammengestellt werden als bei 2-Kanal-Audiosystemen, da die Surroundkanäle zu einer Erweiterung des Klangbildes führen. Eine Positionierung der Lautsprecher innerhalb von ungefähr 0,5 m zu den Seiten des Bildschirms ist darüber hinaus sehr hilfreich, um das Klangbild optimal an das visuelle Bild anzupassen. Wie bei der Positionierung in konventionellen Stereosystemen sollten die Lautsprecher einen Abstand von ungefähr 0,5 m zu den Seitenwänden haben. Die Abbildung oben zeigt die Lautsprecherpositionierung in Mehrkanal-A/V-Systemen.

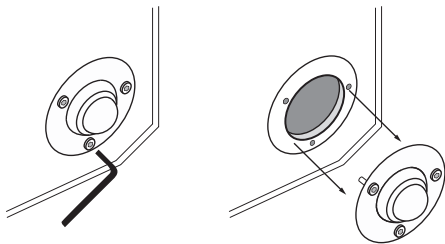
#### Magnetische Streufelder

Die Lautsprecherchassis erzeugen ein magnetisches Streufeld, das über die Gehäusegrenzen hinaus reicht. Daher empfehlen wir, einen Mindestabstand von 0,5 m zwischen magnetisch empfindlichen Artikeln (CRT-Fernsehgeräten, Computerbildschirmen, Discs, Audio- und Videobändern, Scheckkarten usw.) und Lautsprechern zu bewahren. Magnetische Streufelder haben keinen Einfluss auf Plasma-, LCD- und OLED-Bildschirme.



Befindet sich der Lautsprecher in der Nähe seiner endgültigen Position, können die Rollen entfernt und die einstellbaren Spikes bzw. GummifüÙe angebracht werden. Dies ist in den folgenden Abschnitten beschrieben und in den folgenden Abbildungen dargestellt.

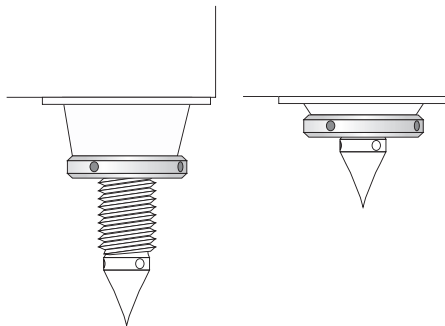
Legen Sie den Lautsprecher zu zweit auf die Seite (siehe oben). Stellen Sie sicher, dass die Lautsprecheroberfläche durch den Boden nicht verkratzt wird. Scheuen Sie sich nicht, den Lautsprecher zur Positionierung an der leicht beweglichen „Kopf“-einheit anzupacken. Berühren Sie die Chassis nicht, während Sie den Lautsprecher bewegen.



Verwenden Sie den beiliegenden Torx-Schlüssel, um die 4 Rollen wie in der Abbildung oben dargestellt zu entfernen. Bewahren Sie die Rollen für einen späteren Transport des Lautsprechers auf. Sind die Rollen entfernt worden, so können sie durch die zum Lieferumfang gehörenden einstellbaren Füße ersetzt werden.

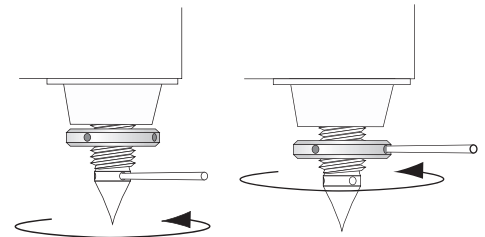
Die einstellbaren Füße besitzen an einem Ende einen Spike und am anderen Ende eine Gummiunterlage. Nutzen Sie die Variante, die für Ihren Boden am besten geeignet ist. Die Spikes sind für Teppich gedacht, durch den sie sich hindurchbohren und auf der Bodenoberfläche aufliegen. Dadurch wird der Teppich nicht eingedrückt und der Lautsprecher stabil aufgestellt. Um eine optimale Performance zu gewährleisten, empfehlen wir, die Spikes zu nutzen. Sind diese jedoch für den Boden ungeeignet, so können die Gummiunterlagen eingesetzt werden.

*Hinweis: Die Spikes können auch auf empfindlichen Böden ohne Teppich verwendet werden, wenn die Spikes auf Münzen gestellt werden.*



Die einstellbaren Füße werden über Gewinde an der Lautsprecherunterseite befestigt, wobei die Gewinde zur Höheneinstellung nach außen oder nach innen zeigen können (siehe Abbildung oben). Der Lautsprecher kann um bis zu 8° nach oben oder nach unten geneigt werden, wenn die Gewinde entweder vorne oder hinten nach außen zeigen. Soll kein Neigungswinkel eingestellt werden, so bringen Sie alle Gewinde so an, dass sie nach innen zeigen.

Schrauben Sie die Füße in die Gewinde ein (wobei je nach Bedarf entweder die Spikes oder die Gummi Füße zum Aufstellen genutzt werden können). Lassen Sie genügend Platz für die Sicherungsringe und bringen Sie diese an, ohne sie jedoch festzuziehen.

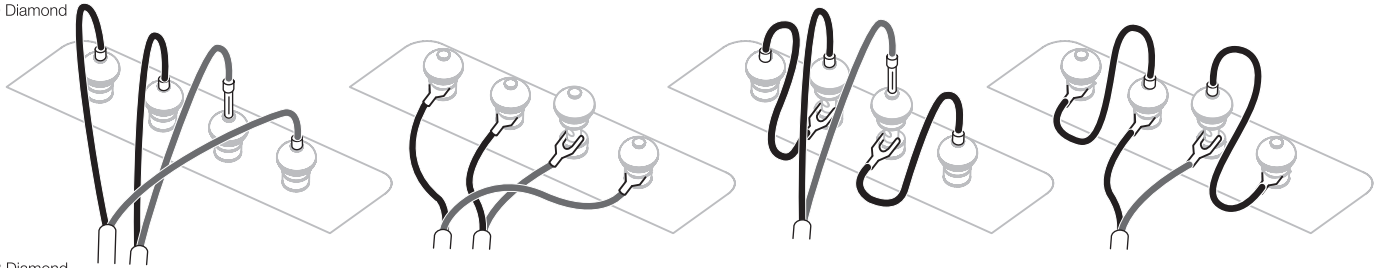


Sind die einstellbaren Füße am Lautsprecher angebracht, kann der Lautsprecher vorsichtig aufrecht hingestellt werden. Stellen Sie sicher, dass nach dem Umdrehen nicht das gesamte Gewicht des Lautsprechers in einem Winkel auf einem Fuß oder zwei Füßen lastet. Achten Sie ferner darauf, dass es beim Umdrehen nicht zu Verletzungen durch die Spikes kommt.

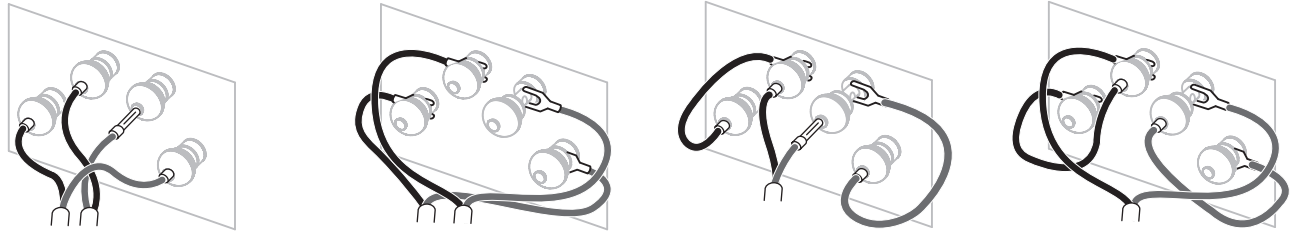
Ist der Lautsprecher aufgestellt, stellen Sie die Füße mit dem beiliegenden Stift dem gewünschten Neigungswinkel entsprechend ein (siehe oben), so dass der Lautsprecher anschließend stabil auf dem Boden steht. Zum Schluss ziehen Sie den Sicherungsring ebenfalls mit dem Stift gegen das Gewinde fest (siehe oben).

## 4. Anschließen

800 Diamond



802 Diamond



Beim Anschließen sollten alle Audiogeräte abgeschaltet sein.

Die Lautsprecherklemmen bieten eine Reihe von Anschlussmöglichkeiten – so können 4-mm-Bananenstecker, 6-mm- und 8-mm-Kabelschuhe sowie blanke Drähte bis zu einem Durchmesser von 4 mm angeschlossen werden.



### Wichtiger Sicherheitshinweis

In einigen, hauptsächlich europäischen Ländern wird die Verwendung von 4-mm-Bananensteckern als mögliches Sicherheitsrisiko betrachtet, da sie in die Löcher nicht gesicherter Netzsteckdosen gesteckt werden könnten. Um den europäischen CENELEC-Sicherheitsvorschriften zu entsprechen, sind die 4-mm-Löcher in den Enden der Anschlussklemmen mit Kunststoffstiften gesichert. Setzen Sie den Lautsprecher in einem dieser Länder ein, sollten Sie sicherstellen, dass die Bananenstecker nicht unsachgemäß von Kindern oder anderen nicht informierten Personen genutzt werden.

Lassen Sie sich bei der Auswahl der Lautsprecherkabel von Ihrem autorisierten Fachhändler beraten. Die Gesamtimpedanz sollte unterhalb der in den Technischen Daten angegebenen maximalen Kabelimpedanz liegen. Insbesondere sollte das zum Hochtöner führende Kabel eine geringe Induktivität besitzen, da sehr hohe Töne sonst gedämpft werden.

An der Lautsprecherrückseite befinden sich jeweils zwei Paar Anschlussklemmen, wodurch Bi-Wiring möglich ist (links). Im konventionellen Betrieb bringen Sie die beiliegenden Kabelbrücken an, um die Anschlussklemmen gleicher Polarität miteinander zu verbinden.

Stellen Sie sicher, dass die positiven (mit einem roten Ring gekennzeichneten) Anschlussklemmen am Lautsprecher mit dem positiven Ausgang am Verstärker und die negativen (mit einem schwarzen Ring gekennzeichneten) Anschlussklemmen mit dem negativen Ausgang am Verstärker verbunden werden. Ein nicht korrektes Anschließen der Kabel führt zwar nicht zu Beschädigungen, kann aber eine Verschlechterung des Klangbildes und Bassverluste mit sich bringen. Schrauben Sie die Kappen der Lautsprecherklemmen fest zu, um Geräusche zu vermeiden.

*Hinweis: Durch das Bi-Wiring werden die Signalwege jeder Lautsprechersektion getrennt. Dadurch kann sowohl das Stereo-Klangbild als auch die Detailauflösung verbessert werden. Ferner kann dadurch für jedes Frequenzband das optimale Kabel eingesetzt werden.*

*Bi-Amping geht noch einen Schritt weiter. Hier werden 2 separate Endstufenkanäle für jeden Lautsprecher genutzt. Jedoch ist dies kein komplett aktives System, da die interne passive Frequenzweiche des Lautsprechers immer noch genutzt wird. Beim Bi-Amping muss die Verstärkerleistung auf allen Kanälen gleich sein, um einen ausgewogenen Klang zu gewährleisten. Vergewissern Sie sich, dass die Polarität für jede Lautsprecher-/Verstärkerverbindung phasengleich ist. Einige Verstärker kehren das Signal um. Bei einer Kombination von invertierenden und nicht-invertierenden Verstärkern sollte die Polarität der Anschlüsse von jedem invertierenden Verstärker zum Lautsprecher umgekehrt werden.*

*Zwar stellen Mitteltöner und insbesondere der Hochtöner nicht so hohe Ansprüche an den Verstärker wie Basschassis, doch sollten Sie auch hier auf eine ausreichende Ausgangsleistung des Verstärkers achten, um bei kurzzeitigen Anhebungen der hohen Frequenzen in bestimmten Musikpassagen eine verzerrungsfreie Wiedergabe zu gewährleisten. Generell sollte zum Antrieb von Mittel- und Hochtöner eine ebenso leistungsstarke Endstufe eingesetzt werden wie für die Basschassis.*

Vergewissern Sie sich vor der Feinabstimmung Ihres Systems noch einmal, dass alle Verbindungen richtig hergestellt wurden und alle Kabel ordnungsgemäß angeschlossen sind.

Ein größerer Abstand zwischen Lautsprechern und Wänden führt zu einer Reduzierung des Bassniveaus. Auch der Raum hinter den Lautsprechern schafft einen Eindruck der Tiefe. Umgekehrt wird das Bassniveau erhöht und der Eindruck der Tiefe möglicherweise reduziert, wenn die Lautsprecher näher an die Wände gestellt werden.

Steht das Bassniveau nicht im Einklang mit der Frequenz, so ist dies auf starke Resonanzen im Raum zurückzuführen. Selbst kleinste Änderungen bei der Lautsprecherpositionierung bzw. in der Hörposition können eine erhebliche Wirkung auf die wahrgenommene Klangqualität haben. So ändert sich die Klangqualität beispielsweise, wenn Sie die Hörposition verändern oder die Lautsprecher an eine andere Wand gestellt werden. Auch das Vorhandensein großer Möbelstücke und deren Position können erhebliche Auswirkungen haben.

Ist der Klang zu schrill, hilft die Verwendung weicher Einrichtungsgegenstände (wie z. B. schwerer Vorhänge). Umgekehrt sollte man bei dumpfem, leblosem Klang die Verwendung solcher Einrichtungsgegenstände auf ein Minimum reduzieren. In einigen Räumen treten Flatterechos – also Echos, die zwischen parallelen Wänden mehrfach hin und her reflektiert werden – auf. Flatterechos können den Klang der Lautsprecher im Raum verfälschen. Prüfen Sie den Raum auf Mehrfachechos, indem Sie in die Hände klatschen. Flatterechos können durch unregelmäßig geformte Oberflächen wie Regale oder große Möbelstücke reduziert werden.

Der anspruchsvolle Hörer sollte die Grills von Tief- und Mitteltönern entfernen, indem er die Kanten umfasst und sie vorsichtig vom Gehäuse wegzieht.

In der Einlaufphase gibt es feine Unterschiede in der Wiedergabequalität des Lautsprechers. Wurde er in einer kühlen Umgebung gelagert, so wird es einige Zeit dauern, bis die Dämpfungskomponenten und die für die Aufhängung der Chassis eingesetzten Werkstoffe ihre optimalen mechanischen Eigenschaften besitzen. Die Aufhängung der Chassis wird mit den ersten Betriebsstunden beweglicher. Die Zeit, die der Lautsprecher benötigt, um seine maximale Leistungsfähigkeit zu entwickeln, schwankt abhängig von den vorherigen Lager- und Einsatzbedingungen. Grundsätzlich kann man sagen, dass es eine Woche dauert, bis sich die Lautsprecher nach Temperatureinwirkungen stabilisiert haben. 15 Betriebsstunden sind erforderlich, bis die mechanischen Teile ihre Funktion, wie bei der Konstruktion festgelegt, erfüllen können.

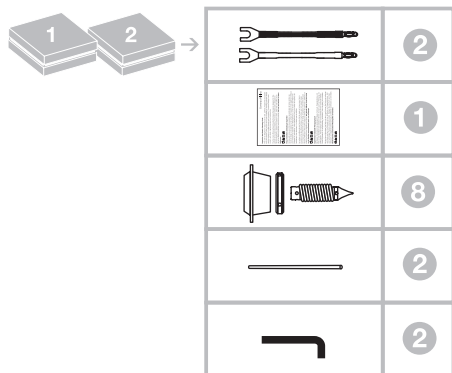
Jedoch ist uns schon von längeren Einlaufphasen (bis zu einem Monat) berichtet worden. Man kann aber davon ausgehen, dass dieser Eindruck eher mit dem Hörer zu tun hat, der aufgrund der hochwertigen Klangqualität dieser Lautsprecher jetzt Details wahrnimmt, die vorher nicht zu hören waren. Der Klang mag ihm zunächst vielleicht etwas hart erscheinen. Aber nach geraumer Zeit wird er weicher, ohne dabei an Detailtreue zu verlieren.

Die Gehäuseoberflächen der Lautsprecher der 800 Serie Diamond müssen in der Regel nur abgestaubt werden. Wir empfehlen, dazu das dem Produkt beiliegende Tuch zu nutzen. Bei Verwendung eines Aerosol- oder sonstigen Reinigers sprühen Sie diesen zunächst auf das Tuch, nicht direkt auf das Gerät. Testen Sie zunächst an einer kleinen, unauffälligen Stelle, da einige Reinigungsprodukte die Oberflächen beschädigen. Verwenden Sie keine scharfen bzw. säure- oder alkalihaltigen oder antibakteriellen Produkte. Verwenden Sie für die Chassis keine Reinigungsmittel. Vermeiden Sie es, die Lautsprecherchassis zu berühren, da dies zu Beschädigungen führen kann.

Wird für das Gehäuse von Bower & Wilkins-Lautsprechern Echtholz furniert, so werden nur die feinsten Furniere ausgewählt und zum Schutz gegen UV-Licht mit einem Speziallack behandelt. Auf diese Weise werden im Laufe der Zeit auftretende Farbveränderungen minimiert. Bitte berücksichtigen Sie aber, dass Holz ein Naturwerkstoff ist, der auf die Einflüsse der Umgebung reagiert, so dass kleine Veränderungen in der Regel nicht ausbleiben. Sie können Farbunterschiede ausgleichen, indem Sie alle Furnieroberflächen gleichmäßig dem Sonnenlicht aussetzen, bis die Farbe wieder einheitlich ist. Dieser Prozess kann mehrere Tage oder sogar Wochen dauern, lässt sich aber durch den vorsichtigen Einsatz einer UV-Lampe beschleunigen. Halten Sie darüber hinaus, um Rissen vorzubeugen, einen ausreichenden Abstand zu direkten Wärmequellen wie Heizkörpern und Warmluftventilatoren.

## 1. Desembalaje de sus Cajas Acústicas

## 2. Colocación de sus 800 Diamond o 802 Diamond



La 800 Diamond y la 802 Diamond son muy pesadas, por lo que recomendamos fervientemente que sean desembaladas por dos personas en la sala en la que vayan a ser instaladas. También es recomendable despojarse de anillos, brazaletes, relojes etc. para evitar el riesgo de que se produzcan rasguños en el acabado de la superficie de las cajas acústicas.

La tabla superior muestra los componentes que acompañan a la 800 Diamond y la 802 Diamond en su correspondiente embalaje. En el caso poco probable de que falte algo, le rogamos que contacte con el detallista donde adquirió las citadas cajas acústicas.

Todas las rejillas están fijadas magnéticamente. Cuando coloque la rejilla del altavoz de medios, gírela para encontrar la alineación que proporcione la fijación más sólida.

Los diafragmas de los tweeters son muy delicados y fáciles de dañar. Cualquier manejo incorrecto de la rejilla protectora en las cercanías del tweeter puede tener como resultado que la misma sea atraída hacia el diafragma del citado transductor. Por esta razón, la rejilla del tweeter se suministra ya fijada y le recomendamos que la deje en su lugar.

Las cajas acústicas se suministran de serie con ruedas deslizantes en su base para ayudar a maniobrarlas con el fin de acercarlas a sus posiciones finales. No obstante, como consecuencia del elevado peso de las cajas acústicas es posible que las mencionadas ruedas dejen marcas en suelos de superficie vulnerable. Asimismo, también es recomendable proteger el suelo utilizando una capa intermedia de, por ejemplo, alfombra o azulejos cuando la caja acústica es desplazada.

Una vez que la caja acústica esté cerca de su posición final, pueden retirarse las ruedas deslizantes y colocar en su lugar las puntas de desacople metálicas o pies de goma suministrados de origen. Esto se describe en la Sección 3.

### Información Relativa a la Protección del Medio



#### Ambiente

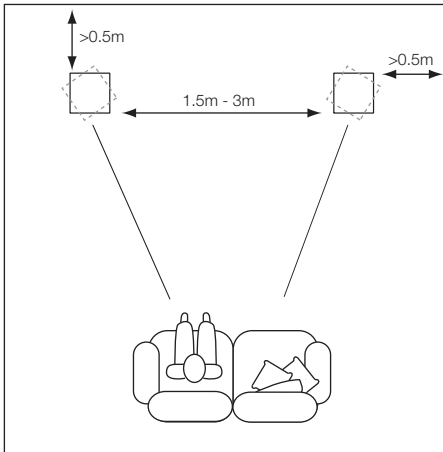
Todos los productos B&W han sido diseñados para satisfacer la normativa internacional relativa a la Restricción del Uso de Sustancias Peligrosas (RoHS) en equipos eléctricos y electrónicos y la eliminación de Residuos Referentes a Equipos Eléctricos y Electrónicos (WEEE). El símbolo con el cubo de la basura indica el pleno cumplimiento de estas directrices y que los productos correspondientes deben ser reciclados o procesados adecuadamente en concordancia con las mismas.

### Directrices Generales

Tanto en instalaciones estereofónicas como de Cine en Casa, intente asegurar que el entorno inmediato de cada caja acústica posea un carácter acústico similar. Por ejemplo, si una pared está muy cerca de paredes desnudas mientras que la otra está cerca de mobiliario blando y cortinas, tanto la calidad sonora global como la imagen estereofónica quedarán seriamente comprometidas.

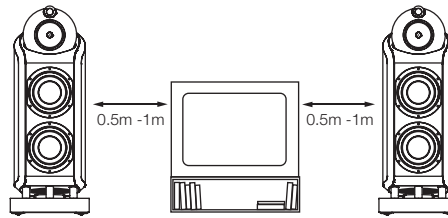
La ubicación de los límites de la sala afecta de manera fundamental al sonido de una caja acústica. Cuantas más superficies haya próximas entre sí, los medios y los graves de la caja acústica se harán más prominentes. Al mismo tiempo, la imagen estereofónica proporcionada por la caja acústica tiende a ser menos focalizada y a restituir el sonido con menos profundidad. El objetivo a la hora de colocar cajas acústicas es encontrar un punto intermedio acertado entre restricciones domésticas, balance tonal y calidad de la imagen estereofónica. Es probable que la revisión y el reajuste de la posición de sus cajas acústicas una vez realizada la instalación inicial mejore adicionalmente la calidad sonora, además de tratarse de una práctica absolutamente recomendable.

La 800 Diamond y la 802 Diamond tienen una ventana de escucha vertical óptima que ha sido diseñada para cubrir el rango de alturas del oído promedio de oyentes sentados (es decir entre 0'9 y 1'2 metros). Si está sentado en una posición muy baja, los pies ajustables de la 800 Diamond y la 802 Diamond permiten una ligera inclinación vertical para el caso de que la misma sea necesaria. Ver Sección 3.



#### Sistemas de Audio Estereofónico

Para empezar, las cajas acústicas deberían colocarse separadas entre sí de 1'5 a 3 metros y a una distancia similar del punto de escucha de escucha. Las cajas deberían separarse aproximadamente 0'5 metros de la pared posterior y al menos 0'5 metros de cualquier pared lateral. Puede ser beneficioso para la claridad de la imagen estereofónica que cada caja acústica esté ligeramente orientada hacia la posición de escucha, en especial si una está relativamente lejos de la otra. El dibujo superior ilustra la colocación de las cajas acústicas en sistemas de audio estereofónico.

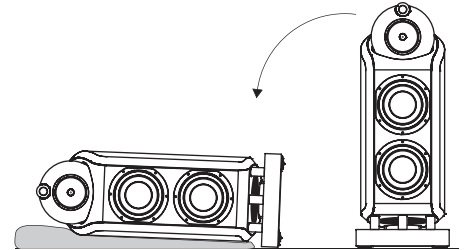


#### Sistemas Audiovisuales Multicanal

Si las cajas acústicas van a ser utilizadas para los canales frontales (principales) de un sistema de Cine en Casa, deberían estar más cerca entre sí que en un equipo de audio de dos canales porque los canales de sonido envolvente tienden a ensanchar la imagen sonora. La colocación de las cajas acústicas a unos 0'5 metros de distancia de cada lado de la pantalla de visualización también ayudará a que la imagen del sonido envolvente esté proporcionada con respecto a la imagen visual. Al igual que sucede con el posicionado en sistemas estereofónicos convencionales, idealmente las cajas acústicas deberían estar separadas unos 0'5 metros de cualquier pared lateral. El dibujo superior ilustra la colocación de las cajas acústicas en sistemas audiovisuales multicanal.

#### Campos Magnéticos Parásitos

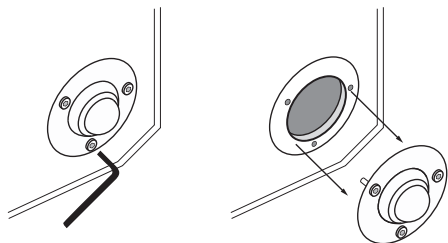
Los altavoces de las cajas acústicas crean campos magnéticos parásitos que se extienden más allá de las fronteras físicas del recinto. Es por ello que le recomendamos que aleje todos aquellos objetos magnéticamente sensibles (pantallas de televisor y ordenador basadas en tubos de rayos catódicos, discos de ordenador, cintas de audio y vídeo, tarjetas con banda magnética y cosas por el estilo) al menos 0'5 metros de la caja acústica. Las pantallas de LCD, OLED y de plasma no son afectadas por los campos magnéticos.



Con la caja acústica cerca de su posición final, las ruedas deslizantes pueden ya ser retiradas para colocar en su lugar las puntas de desacoplo o los pies de goma suministrados de serie. Esto se describe en las líneas que siguen.

Con la ayuda de una segunda persona, incline cuidadosamente la caja acústica para que descance sobre uno de sus lados tal y como se muestra en el dibujo superior. Asegúrese de que la superficie sobre la que descance la caja no dañe el acabado de esta última. Pese al hecho de que la caja acústica ha sido montada con las máximas garantías y se mueve muy poco, debería manipularse manteniendo bien sujeto su "cabezal". Cuando manipule la caja acústica, procure no tocar los altavoces.

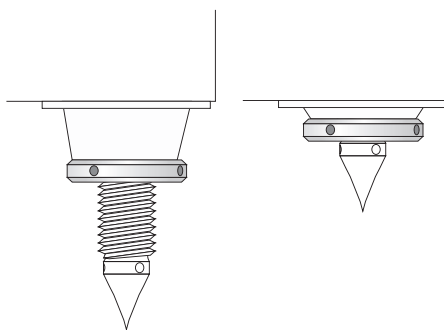




Utilizando la llave TORX suministrada de serie con el kit de accesorios, afloje y retire las cuatro ruedas deslizantes tal y como se muestra en el dibujo superior. Guarde las ruedas giratorias para el caso de que la caja acústica tuviera que ser desplazada de nuevo y reinstalada en el futuro. Una vez retiradas las ruedas giratorias, podrá colocar las puntas de desacoplo ajustables en su lugar.

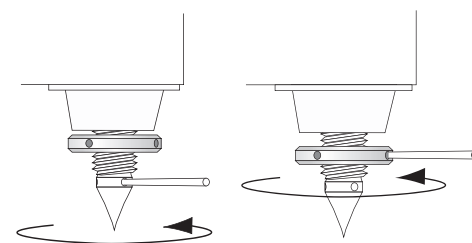
Los pies ajustables incorporan una punta en un extremo y un taco de goma en el otro y pueden ser instalados con la caja descansando sobre el suelo. Las puntas de desacoplo están diseñadas para perforar alfombras y descansar sobre el suelo que hay debajo tanto para proteger la alfombra de daños importantes como para proporcionar un fundamento sólido a la caja acústica. Para conseguir unas prestaciones óptimas, recomendamos utilizar las puntas de desacoplo aunque si la naturaleza del suelo desaconseja su empleo deberían invertirse para que presentaran al suelo los tacos de goma.

*Nota: Las puntas de desacoplo metálicas pueden seguir siendo utilizadas en suelos delicados sin alfombra haciéndolas descansar sobre monedas.*



Los pies ajustables se fijan en la cara inferior de la caja acústica mediante cabezales cónicos enroscables que pueden colocarse orientados bien hacia fuera bien hacia dentro con el fin de facilitar el ajuste de la altura; ver al respecto los dibujos superiores. El ajuste de la altura permite instalar, en caso de que así se requiera, la caja acústica con una inclinación de 8 grados hacia arriba haciendo colocando los cabezales frontales hacia fuera y los posteriores hacia dentro. Si no tiene intención de inclinar las cajas acústicas, coloque todos los cabezales hacia dentro.

Enrosque los pies en los cabezales, con las puntas de desacoplo o los tacos de goma expuestos en función de sus necesidades, dejando únicamente el espacio suficiente para colocar los anillos de fijación. Coloque, pero sin sujetarlos firmemente, los anillos de fijación.

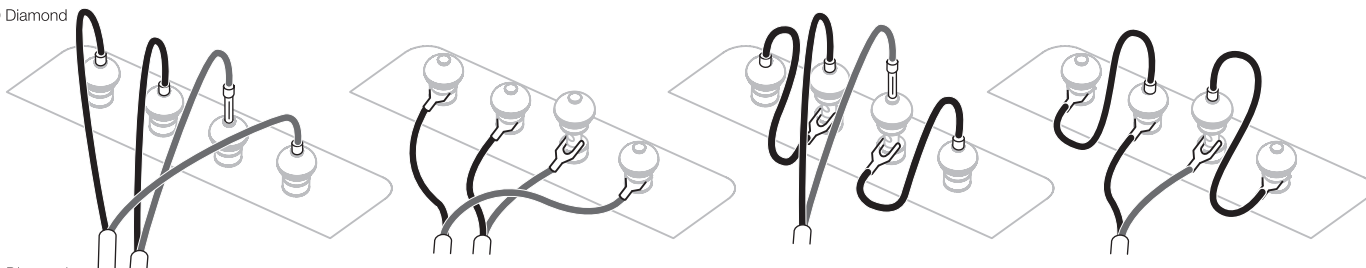


Con los pies ajustables colocados en su lugar, la caja acústica ya puede colocarse cuidadosamente en posición vertical. Procure que la totalidad del peso de la caja acústica no descansa inclinada sobre uno o dos pies cuando sea colocada en posición vertical. Asimismo, procure que un manejo poco cuidadoso de la caja acústica con las puntas de desacoplo ya montadas pueda dañarle.

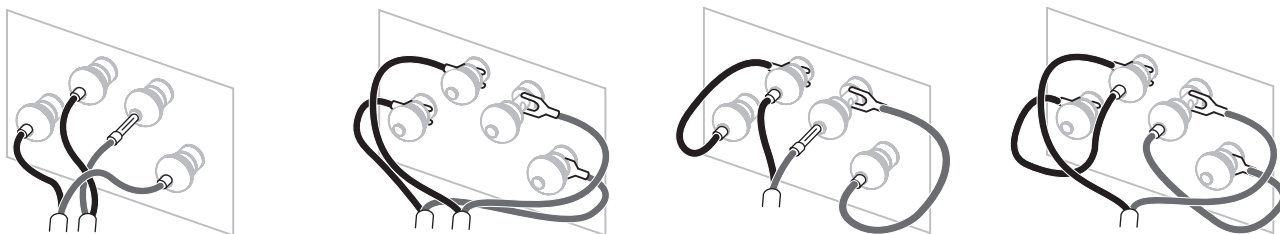
Una vez que la caja acústica esté en posición vertical, ajuste los pies utilizando la palanca de mano para proporcionar la cantidad de inclinación requerida y solventar cualquier desequilibrio tal y como se muestra en el dibujo superior. Ya para finalizar, fije firmemente el anillo contra el cabezal, de nuevo utilizando la palanca de mano, tal y como se muestra en el dibujo superior.

## 4. Conexión

800 Diamond



802 Diamond



Todas las conexiones deberían realizarse con todos los componentes del equipo de audio desconectados.

Los terminales de conexión de la 800 Diamond y la 802 Diamond aceptan una extensa variedad de terminaciones del cable: clavijas de tipo banana de 4 mm, cuchillas planas ("spades") de 6 y 8 mm o cables pelados de hasta 4 mm de diámetro.

### Noticia Importante Relacionada con la Seguridad



En ciertos países, sobre todo en Europa, las clavijas de tipo banana de 4 mm son consideradas como potencialmente peligrosas en términos de seguridad porque pueden ser insertadas por error en los orificios de tomas de corriente eléctrica no protegidas. Con el fin de satisfacer la normativa europea de seguridad CENELEC, los orificios de 4 mm situados en los extremos de los terminales están bloqueados por patillas de plástico. Si usted va a utilizar los productos en algún país en el que se aplique dicha normativa, asegúrese de que las clavijas de tipo banana no puedan ser empleadas de manera no segura por niños u otras personas no informadas.

Consulte a su distribuidor para que le aconseje a la hora de elegir el cable de conexión. Mantenga siempre la impedancia total por debajo del máximo recomendado en las características técnicas y utilice un cable de baja inductancia para evitar que se produzcan atenuaciones en las frecuencias más altas.

En la parte posterior de la caja acústica hay dos pares de terminales de conexión para facilitar el bicableado. Para realizar una conexión convencional en monocableado, coloque los puentes suministrados de serie de tal modo que los terminales positivos y los terminales negativos estén unidos entre sí (es decir, positivo a positivo y negativo a negativo).

Asegúrese de que los terminales positivos de la caja acústica (anillo de color rojo) son conectados al terminal de salida positivo del amplificador y que los terminales negativos de la caja acústica (anillo de color negro) son conectados al terminal de salida negativo del amplificador. Una conexión incorrecta podría tener como resultado una imagen sonora pobre y una pérdida de graves. Fije siempre firmemente los terminales los terminales de conexión para evitar que vibren.

*Nota: El bicableado separa los trayectos de señal correspondientes a cada sección de la caja acústica y puede mejorar tanto la imagen estereofónica como la resolución de los detalles.*

*La bi-amplificación va un estadio más allá e implica el uso de dos canales de amplificación de potencia independientes para cada caja acústica. No es lo mismo que un sistema cien por cien "activo" por cuanto se sigue utilizando el filtro divisor de frecuencias pasivo de la caja. En el caso de que se utilice la bi-amplificación, asegúrese de que cada canal de amplificación tenga la misma ganancia, ya que en caso contrario el balance tonal de la caja acústica sería distorsionado.*

*Compruebe también la polaridad absoluta de los amplificadores. Algunos amplificadores invierten la señal y su empleo con otros de tipo no inversor provocaría distorsiones en la respuesta en frecuencia. En caso de que tenga una combinación de amplificadores inversores y no inversores, invierta la polaridad de las conexiones de la caja acústica correspondientes al amplificador inversor.*

*Tenga en mente que aunque los altavoces de medios y, sobre todo, los de agudos pueden (y sólo necesitan) manejar una potencia continua inferior que los de graves, el amplificador que los alimenta necesita disponer de un margen de tensión adecuado para que pueda atender sin distorsión los picos de alta frecuencia presentes en la música. Una elevada capacidad de manejo de tensión implica una potencia elevada, por lo que no resulta recomendable tener para medios y agudos un amplificador menos potente que el que ataca los altavoces de graves.*

## 5. Ajuste Fino

Antes de proceder al ajuste fino del sonido, verifique cuidadosamente que todas las conexiones de la instalación sean correctas y seguras.

Cada vez que aleje las cajas acústicas de las paredes, el nivel general de graves se reducirá. El espacio situado detrás de las cajas también contribuye a crear una sensación aural de profundidad. Por el contrario, si acerca las cajas acústicas a las paredes el nivel de graves aumentará a la vez que es posible que se reduzca la sensación de profundidad.

Si la respuesta en graves no es uniforme con la frecuencia, lo más probable es que se deba a la excitación de modos de resonancia en la sala de escucha. Incluso pequeños cambios en la posición de las cajas acústicas o los oyentes pueden tener un profundo efecto en la manera en que dichas resonancias afectan al sonido. Intente colocar las cajas acústicas a lo largo de una pared diferente. El cambio de posición de muebles y objetos de gran tamaño presentes en la sala también puede modificar el sonido.

Si el sonido es demasiado brillante (léase chillón), el aumento de la cantidad de materiales blandos (generalmente fonoabsorbentes) presentes en la sala (utilice, por ejemplo, cortinas más pesadas) puede ayudar a equilibrarlo. Por el contrario, si se reduce la presencia de los citados materiales se conseguirá incrementar el nivel de brillo de un sonido apagado y carente de vida. Compruebe si en la sala de escucha hay ecos flotantes situándose de pie en el centro de la misma, aplaudiendo rápidamente y escuchando a continuación para detectar si se producen repeticiones rápidas de los aplausos. Para reducir dichos ecos, coloque objetos de forma irregular o superficies no reflectantes (como por ejemplo tapetes, cuadros o estanterías repletas de libros) en el suelo o en una de las paredes afectadas.

Para los más puristas, un buen consejo consiste en quitar las rejillas de protección de los altavoces de medios y graves sujetándolas por su contorno y retirándolas cuidadosamente del recinto.

## 6. Rodaje

Las prestaciones de sus cajas acústicas pueden cambiar de manera sutil durante el período de escucha inicial. Si han estado almacenadas en un ambiente frío, tanto los materiales absorbentes y de amortiguamiento acústico como los que forman parte de los sistemas de suspensión de los diferentes altavoces tardarán cierto tiempo en recuperar sus propiedades mecánicas correctas. Las suspensiones de los altavoces también se relajarán durante las primeras horas de uso. El tiempo que las cajas acústicas necesiten para alcanzar las prestaciones para las que fueron diseñadas variará en función de las condiciones de almacenamiento previas de las mismas y de cómo se utilicen. A modo de guía, deje transcurrir una semana para la estabilización térmica de las cajas y unas 15 horas de uso en condiciones normales para que las partes mecánicas de las mismas alcancen las características de funcionamiento para las que fueron diseñadas.

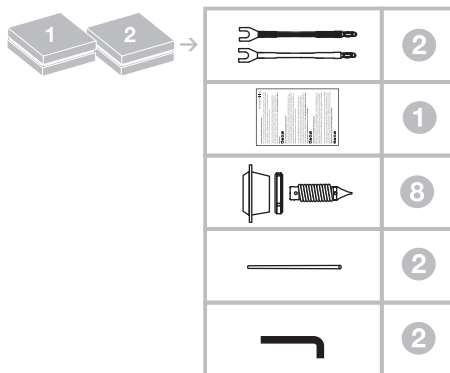
No obstante, hay constancia de períodos de rodaje más largos (del orden de un mes) y las evidencias suficientes para sugerir que ello tiene poco que ver con cambios en las cajas acústicas y bastante con la adaptación del usuario al nuevo sonido proporcionado por las mismas. Esto resulta bastante cierto en cajas acústicas con un elevado poder resolutivo, como por ejemplo las de la Serie 800 Diamond, hasta el punto de que puede producirse un aumento significativo del nivel de detalle en comparación con el que los usuarios estaban acostumbrados a percibir.

## 7. Cuidado y Mantenimiento

Por norma general, las superficies del recinto de las cajas acústicas de la Serie 800 Diamond sólo requieren que de cuando en cuando se les quite el polvo, para lo que le recomendamos que utilice la gamuza suministrada de serie con las mismas. Si desea utilizar un limpiador de tipo aerosol o de otro tipo, aplíquelo en la gamuza de limpieza, nunca directamente sobre el producto. Pruebe primero con un área pequeña, ya que algunos productos de limpieza pueden dañar algunas de las superficies. Evite utilizar productos abrasivos o que contengan ácido, álcalis o agentes antibacterianos. No utilice productos de limpieza en los altavoces. Asimismo, evite tocar los transductores ya que podría dañarlos.

Sean cuales sean las cajas acústicas Bowers & Wilkins terminadas en madera auténtica que usted posea, tenga en cuenta que en todos los casos se han seleccionado las mejores chapas disponibles a la vez que las mismas han sido tratadas con lacas resistentes a la radiación ultravioleta con el fin de minimizar posibles cambios de color a lo largo del tiempo. Aún así, y como es norma en todos los materiales naturales, cada tipo de chapa responderá a su entorno, por lo que es de esperar que se produzcan ciertos cambios de color. Las diferencias de color pueden ser rectificadas exponiendo por igual y de manera uniforme todas las superficies de madera a la luz solar hasta que el color sea uniforme. Este proceso puede tardar varios días o incluso semanas en completarse, aunque puede ser acelerado mediante el empleo cuidadoso de una lámpara ultravioleta. Asimismo, las superficies chapadas en madera noble deberían mantenerse alejadas de fuentes directas de calor tales como radiadores y salidas de aire caliente con el fin de evitar posibles agrietamientos en las mismas.

## 1. Togliere dall'imballo i diffusori



I diffusori 800 Diamond e 802 Diamond sono molto pesanti: vi suggeriamo vivamente di essere in almeno due persone a compiere il lavoro e di farlo direttamente nel locale dove verranno impiegati. Inoltre prima di iniziare è buona precauzione levarsi orologi da polso, braccialetti, anelli, etc. per evitare di graffiare le superfici dei mobili.

La tabella sopra riportata elenca gli accessori che accompagnano i diffusori 800 Diamond e 802 Diamond. Nel caso mancasse qualche elemento, contattate il rivenditore dove avete effettuato l'acquisto.

Tutte le griglie sono fissate tramite magneti. Quando posizionate la griglia del midrange, ruotatela fino a trovare il punto in cui la forza magnetica risulti maggiore.

Le membrane dei tweeter sono molto delicate ed è facile danneggiarle. Muovendo la griglia del tweeter vicino ad esso, questa potrebbe venir attratta verso la cupola e rovinarla. Per questo motivo la griglia viene fornita montata e vi raccomandiamo di lasciarla sempre installata.

## 2. Posizionamento dei diffusori 800 Diamond o 802 Diamond

I diffusori vengono spediti con dei piedini scorrevoli a sfera installati sul fondo, atti a facilitarne gli spostamenti verso la posizione finale. Tuttavia, considerato il notevole peso, le sfere possono lasciare dei segni su pavimenti particolarmente delicati (ad esempio parquet). Si consiglia quindi di proteggere il pavimento ponendo sotto di esse un piccolo tappeto o dei feltri prima di muovere il diffusore.

Una volta portato il diffusore in prossimità della posizione definitiva, le sfere possono essere tolte ed al loro posto installati dei piedini di gomma o delle punte regolabili. Questa operazione è descritta al Paragrafo 3.

### Informazioni per l'ambiente



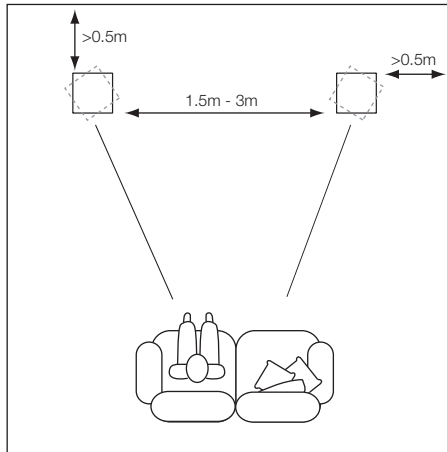
Tutti i prodotti Bowers & Wilkins sono realizzati in conformità alle normative internazionali sulla limitazione delle sostanze pericolose (RoHS) e sullo smaltimento delle apparecchiature elettriche ed elettroniche (WEEE). I simboli raffigurati indicano la compatibilità con le normative e che il prodotto deve essere riciclato e smaltito in ottemperanza alle direttive. Fare riferimento alle indicazioni dell'autorità del vostro Paese per lo smaltimento di questi prodotti.

### Linee guida

Sia negli impianti stereo che in quelli home theatre, cercate di assicurarvi che l'ambiente nelle immediate vicinanze di ciascuno dei diffusori abbia caratteristiche acustiche il più possibile uguali. Ad esempio, se uno dei due si trova vicino a delle pareti lisce e l'altro in prossimità di tende o morbidi divani in tessuto, tanto la qualità sonora nel suo insieme, quanto l'immagine stereofonica rischiano di venir compromesse.

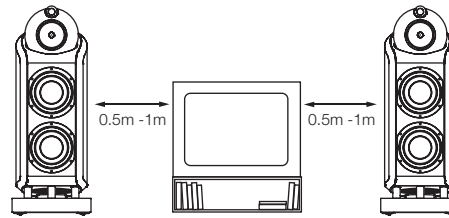
Il suono di un diffusore è fortemente condizionato dalla posizione. Più verrà a trovarsi in prossimità delle pareti, più la gamma bassa e medio-bassa risulteranno in evidenza. Allo stesso tempo poi l'immagine stereo rischia di apparire meno focalizzata e caratterizzata da una minor profondità. La collocazione ad angolo rappresenta quindi la situazione peggiore. Nel posizionare un diffusore è necessario trovare un buon equilibrio tra le esigenze domestiche e quelle dei diffusori relativamente al bilanciamento tonale ed alla riproduzione dell'immagine. Rivedere e correggere la collocazione dei diffusori nei giorni successivi alla loro prima installazione probabilmente potrà migliorarne la resa e si dimostra in genere un'operazione molto utile.

I modelli 800 Diamond e 802 Diamond hanno una finestra verticale d'ascolto ottimale compresa tra 0,9 e 1,2 m, corrispondenti all'altezza media dell'orecchio di una persona seduta. Se la vostra posizione d'ascolto risultasse particolarmente bassa, potrebbe rendersi necessario regolare i piedini dei diffusori per inclinarli di qualche grado. Vedi Paragrafo 3.



#### Impianti stereo

Inizialmente i diffusori dovrebbero essere posizionati ad una distanza tra loro compresa tra 1,5 e 3 m ed alla stessa distanza rispetto al punto d'ascolto. Inoltre dovrebbero venir collocati ad almeno 0,5 m dalla parete di fondo ed altrettanto da quella laterale. Orientare il frontale verso il punto d'ascolto può risultare utile per migliorare l'immagine, specialmente se i diffusori si trovano molto distanti tra loro. La figura sopra riprodotta illustra il posizionamento in un impianto stereo.

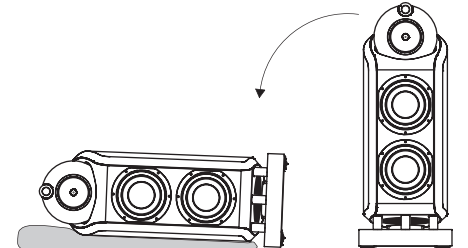


#### Impianti audio-video multicanale

Se i diffusori vengono utilizzati quali canali frontali di un sistema home theatre dovrebbero essere posizionati più vicini tra loro rispetto ad un impianto stereo in quanto i canali surround tendono ad allargare l'immagine. Collocare i diffusori a circa 0,5 m dai bordi dello schermo video poi aiuta a mantenere l'immagine sonora in scala con le proporzioni di quanto riprodotto visivamente. Come nel caso degli impianti stereo, anche in questo caso i diffusori dovrebbero trovarsi idealmente ad almeno 0,5 m sia dalla parete di fondo, sia da quella laterale. La figura sopra riprodotta illustra il posizionamento in un impianto audio-video multicanale.

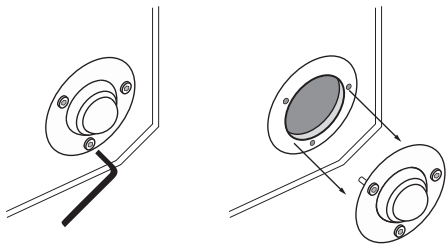
#### Campi magnetici dispersi

Gli altoparlanti dei diffusori creano dei campi magnetici che estendono la loro azione oltre i confini fisici dei mobili. Vi raccomandiamo pertanto di mantenere ad almeno 0,5 m di distanza ogni oggetto sensibile ai campi magnetici (televisori a tubo catodico, nastri audio e video, carte di credito e simili). Schermi al plasma, LCD o OLED al contrario, non risentono dei campi magnetici.



Una volta collocato il diffusore nella posizione pressoché definitiva, è possibile rimuovere i piedini a sfera ed installare quelli regolabili in gomma o a punta. Questa operazione è descritta ed illustrata nella pagina seguente.

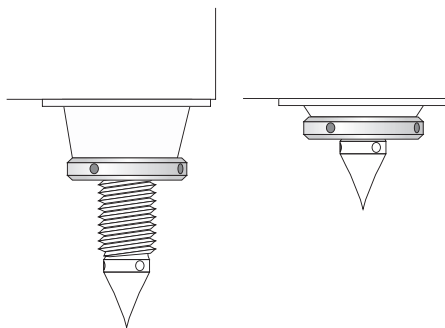
Con l'aiuto di una seconda persona, adagiate delicatamente su un fianco il diffusore come sopra illustrato assicurandovi che la superficie dove poggerà il mobile non possa rovinare la finitura. Non ostante il tipo di fissaggio elastico ed il fatto che si possa muovere leggermente, non esitate ad afferrare il diffusore per la "testa". Prestate invece attenzione a non toccare gli altoparlanti.



Utilizzando la chiave Torx fornita tra gli accessori, svitate e togliete i quattro piedini a sfera come sopra raffigurato. Conservare questi piedini nell'eventualità che il diffusore debba in futuro essere trasportato e reinstallato in un altro ambiente. Rimosse le sfere è ora possibile montare i supporti regolabili.

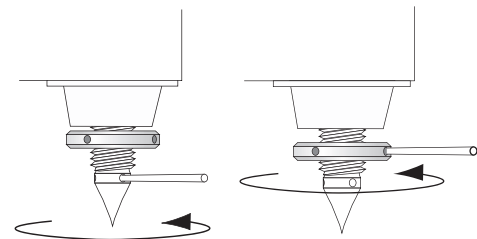
I supporti regolabili riportano ad un'estremità una punta, all'altra un elemento in gomma e possono essere montati indifferentemente in ambedue i sensi. Le punte sono concepite per oltrepassare tappeti o moquette e trasferire il peso direttamente sulla superficie sottostante, sia per non lasciare segni evidenti sul tappeto o moquette, sia per assicurare al diffusore un solido punto d'appoggio. Per le migliori prestazioni si consiglia di utilizzare le punte, ma se la natura del pavimento ne precludesse l'utilizzo, è possibile optare per gli elementi in gomma.

*Nota: Le punte tuttavia possono essere utilizzate anche su pavimenti delicati o privi di tappeti inserendo sotto di esse delle piccole monete.*



I piedini regolabili vengono montati sul fondo del mobile attraverso l'impiego di speciali boccole filettate che possono essere installate in maniera sporgente oppure in posizione incassata come illustrato sopra. Montando, ad esempio, quelle anteriori sporgenti e quelle posteriori incassate, si può inclinare fino a circa 8° verso l'alto il frontale del diffusore. Viceversa, se desiderate inclinarlo verso il basso, montate le boccole posteriori sporgenti e quelle anteriori incassate. Se non intendete inclinare il mobile, si consiglia di montare tutte le 4 boccole incassate) non intendete inclinare il mobile, si consiglia di montare tutte le 4 boccole incassate.

Avvitare i piedini nelle boccole lasciando sporgere l'estremità a punta o quella in gomma secondo quanto desiderato. Successivamente avvitate anche l'anello di serraggio avendo cura di non stringerlo troppo prima delle regolazioni finali.

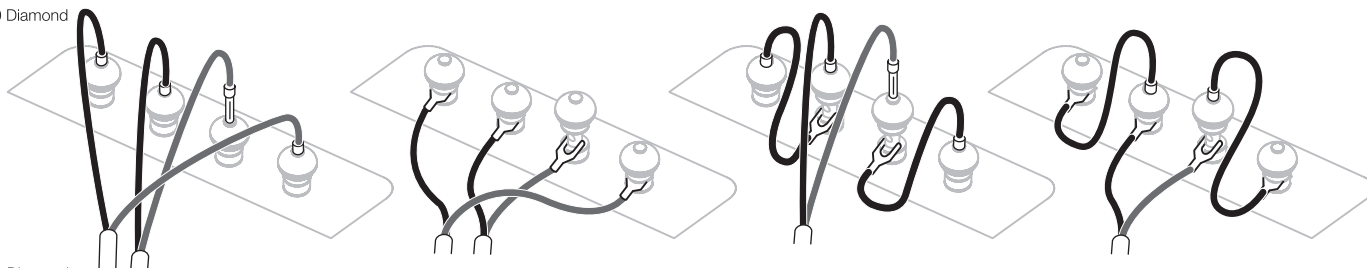


Montati i piedini regolabili, riportate con cautela il diffusore in verticale. Alzandolo, prestate attenzione a non lasciare che tutto il peso gravi unicamente su un solo angolo oppure su uno o due piedini. Nel caso siano state montate le punte, maneggiate il diffusore con prudenza per evitare che possano ferirvi.

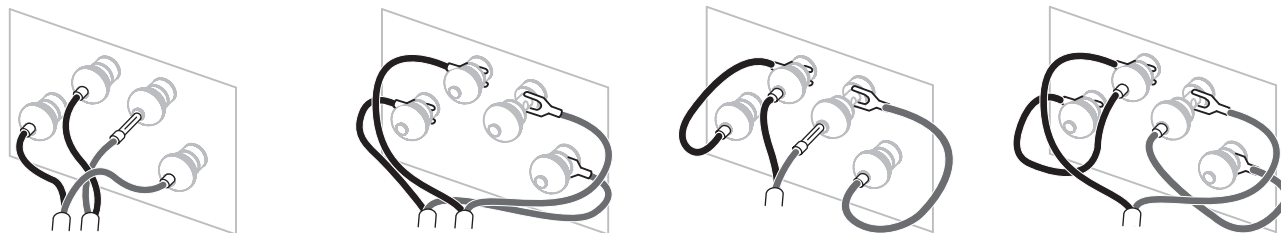
Con il diffusore in verticale, regolare le punte con l'ausilio della barretta metallica fornita fino a trovare una posizione stabile e/o l'inclinazione desiderata come illustrato in figura. Da ultimo serrare l'anello filettato contro la boccola sempre aiutandovi con la barretta metallica come indicato sopra.

## 4. Collegamenti

800 Diamond



802 Diamond



Tutti i collegamenti devono essere effettuati con i componenti dell'impianto spenti.

I morsetti dei diffusori 800 Diamond e 802 Diamond accettano cavi con svariate terminazioni: spinotti a banana da 4 mm, forcelle da 6 mm e 8 mm oppure cavi spellati fino a 4 mm di diametro.



### Importante avvertenza di sicurezza

In alcuni Paesi, in particolare in Europa, l'uso di spinotti a banana da 4 mm viene considerato potenzialmente pericoloso, perché potrebbero essere inseriti nei fori di prese di alimentazione non protette. Per soddisfare le normative di sicurezza europee CENELEC, i fori da 4 mm sui morsetti sono ostruiti da elementi in plastica. Se state utilizzando i diffusori in un Paese dove è in vigore tale normativa, assicuratevi che nessun spinotto a banana venga utilizzato in modo improprio da bambini o persone non informate del potenziale pericolo.

Chiedete consiglio al vostro rivenditore per scegliere un cavo per altoparlanti adatto. Mantenete la sua impedenza totale sotto al valore massimo indicato nelle specifiche tecniche del diffusore ed utilizzate un tipo a bassa induttanza per evitare attenuazioni alle alte frequenze.

Sul retro di ciascun diffusore sono presenti due coppie di morsetti che consentono il collegamento in bi-wiring (sinistra). Per le connessioni tramite un unico cavo, vengono forniti dei cavetti con terminazioni a banana da un lato e a forcella dall'altro per unire tra loro con un ponticello i morsetti della stessa polarità (destra).

Assicuratevi che i terminali positivi dei diffusori (con fascia di colore rosso) siano collegati ai corrispondenti terminali positivi dell'amplificatore e così i terminali negativi del diffusore (con fascia di colore nero) a quelli negativi dell'amplificatore. Un collegamento errato non crea danni, ma darà origine ad una scadente immagine stereo e ad un'insufficiente gamma bassa. Avvitare sempre fino in fondo i cappucci dei morsetti per prevenire fastidiosi rumori durante il funzionamento del diffusore.

*Nota: Il collegamento bi-wiring separa i percorsi del segnale delle sezioni bassi e medio-alti del diffusore ed è in grado di migliorare sia l'immagine stereo, sia la risoluzione del dettaglio. Inoltre permette di utilizzare tipi differenti di cavi per ogni gamma di frequenze.*

*La bi-amplificazione rappresenta un passo successivo e richiede due canali di amplificazione per ciascun diffusore. Diversamente da quella "attiva" (con crossover elettronico posto a monte degli amplificatori), in questo caso il crossover passivo interno del diffusore rimane in uso. Se optate per la bi-amplificazione, assicuratevi che ogni canale di amplificazione abbia lo stesso guadagno, altrimenti verrà alterato il bilanciamento tonale del diffusore.*

*Controllate anche la polarità assoluta. Alcuni amplificatori invertono la fase e se utilizzati assieme ad altri non invertenti, si crea uno squilibrio nella risposta in frequenza del diffusore. Se utilizzate assieme amplificatori invertenti e non invertenti, scambiate la polarità dei collegamenti che provengono dall'amplificatore invertente.*

*Ricordate che, sebbene i midrange ed a maggior ragione i tweeter, possano sopportare (e generalmente richiedano) una minore potenza continua rispetto ai woofer, l'amplificatore che li pilota deve comunque possedere un'adeguata riserva di energia per riprodurre senza distorsioni i picchi musicali alle alte frequenze. Pertanto per pilotare midrange e tweeter non è consigliabile l'utilizzo di amplificatori con potenza sensibilmente inferiore rispetto a quelli impiegati per le basse frequenze.*

Prima di procedere con la regolazione fine, assicuratevi che tutti i collegamenti dell'impianto siano corretti e stabili.

Allontanando i diffusori dalle pareti si riduce il livello complessivo della gamma bassa. Maggior spazio dietro ad essi aiuta ad incrementare la sensazione di profondità della scena acustica. Al contrario avvicinando i diffusori alle pareti, i bassi vengono rinforzati e potenzialmente ridotta la profondità dell'immagine.

Se il basso appare irregolare, ciò è generalmente dovuto all'eccitazione dei modi di risonanza dell'ambiente. Anche piccoli cambiamenti nella posizione dei diffusori o del punto d'ascolto possono avere grande influenza su come queste risonanze alterano il suono. Provate ad esempio a posizionare i diffusori lungo una parete diversa. Anche spostare i mobili può fornire buoni risultati.

Se il suono è troppo aspro, aumentate la quantità di tessuti nella stanza (ad esempio utilizzando tendaggi più pesanti), oppure riducetela se il suono appare opaco e spento. Controllate l'effetto eco dell'ambiente battendo le mani in successione valutandone le repliche. Potete limitare l'eco inserendo nel locale superfici irregolari come librerie e grandi mobili.

Per un ascolto nelle migliori condizioni, rimuovete le griglie a protezione di midrange e woofer afferrandole ai bordi e tirandole delicatamente verso di voi.

Le prestazioni dei vostri diffusori possono variare leggermente durante il periodo iniziale di ascolto. Se sono stati conservati in un ambiente freddo, i materiali smorzanti e le sospensioni degli altoparlanti necessiteranno di un certo intervallo di tempo per recuperare le loro proprietà meccaniche. Anche le sospensioni esterne tenderanno ad allentarsi durante le prime ore di utilizzo. Il tempo necessario ai diffusori per arrivare alle prestazioni ottimali varia in base alle condizioni del precedente immagazzinaggio e da come vengono utilizzati. Indicativamente può trascorrere fino ad una settimana perché gli effetti della temperatura si stabilizzino e 15 ore di utilizzo medio affinché le parti meccaniche raggiungano le caratteristiche ottimali definite in fase di progetto.

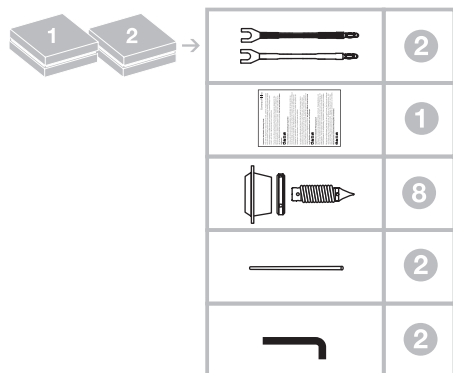
Talvolta è stata segnalata la necessità di periodi di rodaggio più lunghi (anche fino ad un mese), ma questo ha probabilmente poco a che fare con presunti cambiamenti nei diffusori e molto più con il grado di assuefazione dell'ascoltatore alle nuove sonorità. Ciò è particolarmente vero con diffusori di così elevata qualità ed estremamente precisi come i modelli della Serie 800 Diamond, tramite i quali è plausibile si ottenga un considerevole incremento dei dettagli riprodotti rispetto a quanto l'ascoltatore non fosse in precedenza abituato.

I mobili dei diffusori della Serie 800 Diamond normalmente necessitano solo di essere spolverati. Raccomandiamo l'utilizzo del panno fornito in dotazione. Se preferite utilizzare un prodotto spray per la pulizia, applicatelo sul panno, non direttamente sul mobile. Vi consigliamo altresì di provare prima a pulire una piccola area non in vista, dal momento che alcuni detergenti troppo aggressivi potrebbero danneggiare la finitura del diffusore. Non impiegate prodotti abrasivi o contenenti acidi, alcali oppure agenti anti-batterici. Non utilizzate alcun prodotto per la pulizia sugli altoparlanti ed evitate anche di toccarli, poiché potreste danneggiarli.

I diffusori Bowers & Wilkins con finitura in legno naturale, scelto tra i più pregiati e selezionato con cura, sono trattati con una lacca resistente ai raggi ultra-violetti per minimizzare le variazioni di colore nel tempo. Tuttavia, come tutti i materiali naturali, il legno subisce l'influenza degli agenti esterni, in particolare della luce solare, e può cambiare leggermente colore. Eventuali differenze possono essere compensate esponendo le superfici in ombra alla luce del sole fino a che il colore non risulti uniforme. Questo processo può richiedere diversi giorni e perfino settimane, ma può essere velocizzato utilizzando con cautela una lampada a raggi ultra-violetti. Le superfici in legno andrebbero anche tenute lontane da fonti dirette di calore, come, ad esempio, termosifoni o termoconvettori ad aria per evitare l'insorgenza di piccole crepe nella venatura del legno.



## 1. Uitpakken



De 800 Diamond en 802 Diamond zijn bijzonder zwaar en we raden u daarom dringend aan ze uit te pakken in de kamer waar ze zullen worden opgesteld en dit met twee personen uit te voeren. Het is verder verstandig armbanden en dergelijke af te doen om beschadiging van de luidsprekers te voorkomen.

In de tabel hierboven kunt u zien welke items bij de 800 Diamond en 802 Diamond zijn gevoegd. Mocht er iets ontbreken neem dan direct contact op met uw leverancier.

Alle grills zijn magnetisch bevestigd. Roteer de grill voor de middentoner bij het bevestigen om de sterkste kracht te vinden.

De domes van de tweeters zijn uiterst kwetsbaar en worden gemakkelijk beschadigd. Houd de grill van de tweeter niet te dicht bij de tweeter omdat de grill door de magneet sterk wordt aangetrokken en de dome kan raken. Daarom is de grill van de tweeter al bevestigd en we raden u aan deze op zijn plaats te laten zitten.

## 2. Opstellen van de 800 Diamond of 802 Diamond

De luidsprekers zijn uitgerust met roller voeten in de onderkant om ze gemakkelijk te naar de gewenste plaats te kunnen manoeuvreren. Vanwege het grote gewicht van de luidsprekers kunnen deze rollers echter sporen nalaten in kwetsbare vloeren. Wij raden u daarom aan de vloer te beschermen tegen beschadiging tijdens het verplaatsen met tapijttegels o.i.d..

Staat de luidspreker eenmaal dichtbij de uiteindelijke positie, dan kunnen de rollers worden verwijderd en de instelbare spikes of rubber voetjes aangebracht. Dit wordt beschreven in Sectie 3.

### Milieu



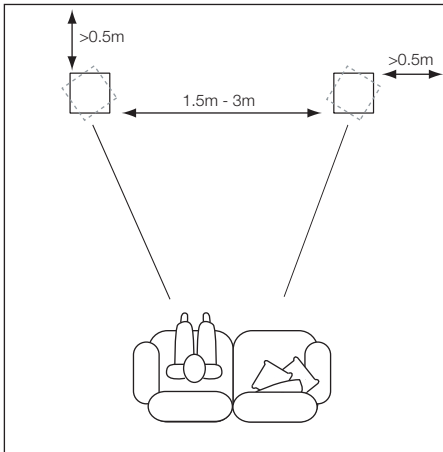
Alle producten van B&W zijn ontwikkeld conform de internationale richtlijnen Restriction of Hazardous Substances (RoHS) in elektrische en elektronische apparatuur en de verwerking van Waste Electrical and Electronic Equipment (WEEE). Deze symbolen geven aan dat het product hieraan voldoet en dient te worden verwerkt op de in deze richtlijnen aangegeven wijze. Raadpleeg zonodig de plaatselijke milieudienst.

### Algemeen

Zowel in stereo als in home theater systemen is het belangrijk er voor te zorgen dat de akoestische omgeving van elke luidspreker ongeveer gelijk is. Voorbeeld: wanneer één luidspreker vlakbij een kale muur staat terwijl de andere naast meubels en stoffen gordijnen staat zal het algehele klankbeeld en het stereobeeld niet evenwichtig zijn.

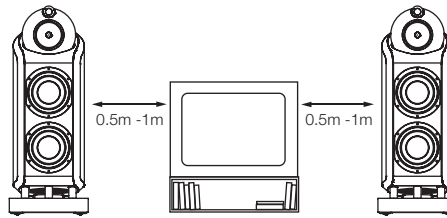
De positie van de luidsprekers ten opzichte van de wanden heeft een grote invloed op de klank. Naarmate er meer wanden in de nabijheid van een luidspreker zijn, zullen laag en midden steeds prominenter worden. Tegelijkertijd zal het stereobeeld van de luidsprekers minder duidelijk worden en de diepte afnemen. Het is de bedoeling luidsprekers zo op te stellen dat er een goed compromis ontstaat tussen de eisen aan het interieur, klankbalans en stereobeeld. Het verdient aanbeveling na de installatie de positie nog eens nader te bezien en te corrigeren en zo mogelijk de geluidskwaliteit verder te verfijnen.

De 800 Diamond en 802 Diamond hebben een optimale verticale openingshoek die zo is gekozen dat hij is gericht op de gemiddelde oorhoogte van zittende luisteraars, d.w.z. tussen 0, en 1,2 meter. Zit u lager dan kunt u de 800 Diamond en de 802 Diamond met de instelbare voetjes verticaal iets kantelen om dat te compenseren. Zie sectie 3.



#### Stereo Audiosystemen

Om te beginnen plaatst u de luidsprekers op 1,5 tot 3 m uit elkaar en op dezelfde afstand van de luisteraar. Houd de luidsprekers minimaal 0,5 m van de achterwand en ook 0,5 m van de zijwanden. U kunt het stereobeeld nog iets verbeteren door de luidsprekers iets naar binnen op de luisterpositie te laten afstralen, vooral wanneer ze relatief ver uit elkaar staan. De afbeeldingen hierboven laten de luidspreker opstelling voor een stereo audiosysteem zien.

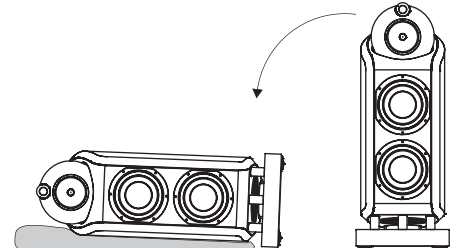


#### Meerkanalen Audiovisuele Systemen

Wanneer de luidsprekers worden gebruikt voor de front kanalen in een home theater systeem dienen ze iets dichterbij elkaar te worden gezet dan bij stereo, omdat de surround kanalen het geluidsbeeld toch al verbreden. Door de luidsprekers op ca. 0,5 m ter weerszijden van het beeldscherm te plaatsen bereikt u bovendien dat het geluidsbeeld met het visuele beeld op schaal blijft verbonden. Net als bij conventionele stereo opstelling de luidsprekers bij voorkeur minimaal 0,5 m uit de zijwanden plaatsen. De afbeelding hierboven laat de luidsprekeropstelling voor meerkanalen audiovisuele systemen zien.

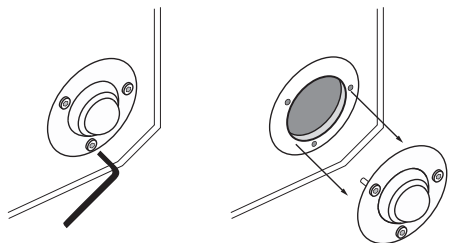
#### Magnetisch Strooiveld

De luidsprekereenheden hebben een magnetisch veld om zich heen dat ook buiten de kast merkbaar is. We raden u aan magnetisch gevoelige artikelen (beeldbuizen in TV en computers, diskettes, audio- en videocassettes, creditcards e.d.) minimaal 0,5 m van de luidsprekers vandaan te houden. Plasma, LCD en LED beeldschermen hebben geen last van het magnetisch veld.



Met de luidsprekers dichtbij de uiteindelijke plaats, kunnen de rollers worden verwijderd en instelbare spikes of rubber voetjes aangebracht. Dit wordt beschreven in de volgende paragrafen en afbeeldingen.

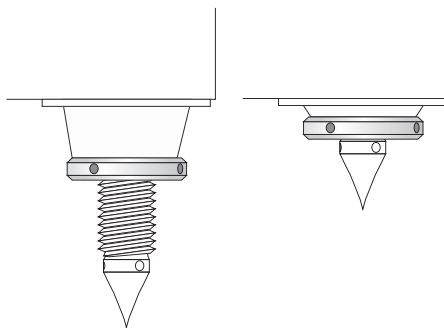
Leg met hulp van iemand anders de luidspreker op de zijkant als hierboven afgebeeld. Zorg ervoor dat de ondergrond de afwerking niet kan beschadigen. Ondanks het feit dat de "kop" enigszins flexibel is gemonteerd kan de luidspreker worden verplaatst door deze bij de kop vast te pakken. Pas wel op dat u de eenheden niet aanraakt tijdens het werken met de luidspreker.



Met de inbussleutel uit de doos met toebehoren, schroeft u de vier rollers los en verwijdert ze als hierboven afgebeeld. Bewaar de rollers voor het geval u ze later nog eens nodig heeft en weer wilt aanbrengen. Zodra de rollers zijn verwijderd, kunnen de bijgeleverde instelbare voetjes worden aangebracht.

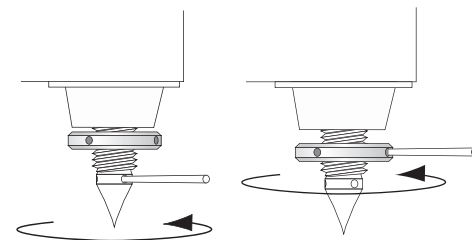
De instelbare voetjes hebben een spike aan de ene en een rubber dop aan de andere zijde die naar wens in de richting van de vloer kunnen worden bevestigd. De spikes zijn ontworpen om door het tapijt heen te prikken en zo het tapijt te beschermen tegen afdrukken en de luidspreker stevig op de onderliggende vloer te plaatsen. Voor optimale prestaties raden we u aan de spikes te gebruiken, maar als de aard van de vloer dat niet toelaat, keer ze dan om en gebruik de rubber doppen.

*Opmerking: spikes kunnen op plavuizen of parket worden gebruikt door er een muntstuk onder te leggen.*



De instelbare voetjes worden in de onderzijde van de luidspreker bevestigd via conische van schroefdraad voorziene koppelingen die naar buiten of naar binnen kunnen worden bevestigd om de gewenste hoogte te krijgen, zie afbeeldingen hierboven. De hoogte correctie zorgt ervoor dat de luidspreker desgewenst maximaal 8° naar achter kan worden gekanteld door de voorste koppelingen naar buiten en de achterste naar binnen te monteren. Wilt u de luidspreker niet kantelen, monteer dan alle koppelingen naar binnen.

Schroef de voetjes in de koppelingen met de spikes of de rubber doppen naar buiten en laat genoeg draad open om de borgmoeren te kunnen aanbrengen. Breng de borgmoeren aan, maar draai ze nog niet vast.

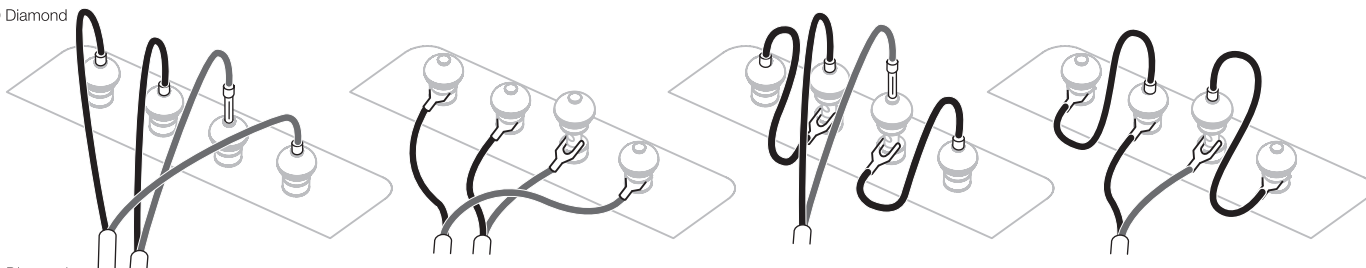


Nu de instelbare voetjes zijn aangebracht, kan de luidspreker voorzichtig rechtop worden gezet. Pas op dat het volle gewicht niet zijdeling op één of twee voetjes komt te rusten bij het rechtop zetten. Let ook op de u zich niet verwondt bij het behandelen van de luidspreker met spikes.

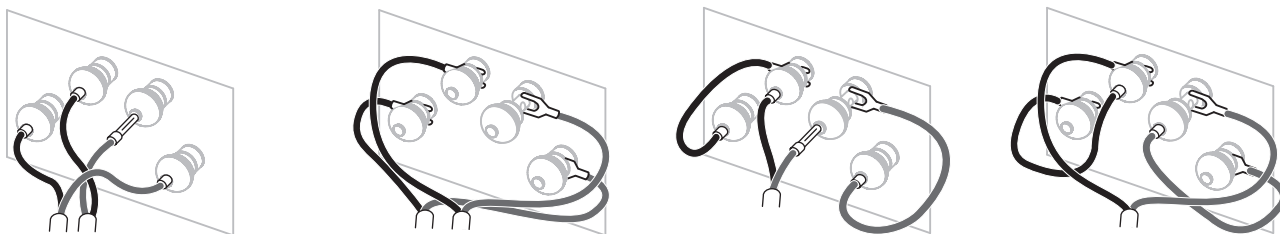
Staat de luidspreker eenmaal rechtop corrigeer die dan met de sleutel die werd meegeleverd om de juiste kantelhoek in te stellen en eventueel wiebelen te vermijden als hierboven afgebeeld. Tenslotte draait u de borgmoer tegen de koppeling vast met de sleutel als hierboven afgebeeld.

## 4. Aansluiten

800 Diamond



802 Diamond



Schakel voordat u begint met aansluiten alle audioapparatuur uit.

De luidsprekeraansluitingen van de 800 Diamond en de 802 Diamond accepteren verschillende soorten kabels en pluggen: 4 mm banaanstekkers, 6 mm en 8 mm (1/4" en 15/16") spades, of blanke draadeinden van max. 4 mm (5/32").



### Belangrijk voor uw veiligheid

In bepaalde landen, vooral Europa, wordt het gebruik van 4 mm banaanstekkers beschouwd als potentieel gevaarlijk omdat deze ook in onbeschermde stopcontacten kunnen worden gestoken. Om te voldoen aan de Europese CENELEC veiligheidsregels zijn de openingen op de aansluitingen geblokkeerd met plastic pennen. Wanneer u het product gebruikt in een land waar deze regels gelden, dient u zich ervan te overtuigen dat banaanstekkers niet op onveilige manier kunnen worden gebruikt door kinderen en andere niet geïnformeerde personen.

Vraag uw leverancier om informatie over kabels. Houd de totale impedantie beneden het maximum als aanbevolen in de technische gegevens en gebruik kabel met een lage inductie om verzwakking van hoge frequenties te voorkomen.

Er bevinden zich op de achterzijde van elke luidspreker twee paar aansluitingen om bi-wiring (links) mogelijk te maken. Voor conventionele verbinding met een enkele kabel (rechts) brengt u de bijgevoegde doorverbindingen aan tussen de aansluitingen van dezelfde polariteit.

Zorg ervoor dat de positieve aansluitingen van de luidspreker (rode ring) worden verbonden met de positieve uitgang van de versterker en de negatieve aansluitingen van de luidspreker (zwarte ring) worden verbonden met de negatieve uitgang van de versterker. Foutieve verbinding is niet schadelijk maar vertroebelt het stereobeeld en geeft verlies aan laag. Draai altijd de kapjes van de aansluitingen geheel vast om rammelen te voorkomen.

*Opmerking: Bi-wiring scheidt de signaalwegen van elke sectie van de luidspreker en kan zowel het stereobeeld verbeteren als de resolutie van details. Ook kan dan voor elke frequentieband een verschillend type kabel worden gebruikt.*

*Bi-amping gaat nog een stap verder en betreft het gebruik van twee onafhankelijke eindversterkers voor elke luidspreker. Dit is niet hetzelfde als een volledig "actieve" sturing omdat het in de luidspreker ingebouwde passieve wisselfilter nog steeds wordt gebruikt. Bij gebruik van bi-amping dient erop te worden toegezien dat elke versterker dezelfde versterking heeft, omdat anders de klankbalans wordt verstoord.*

*Controleer ook de absolute fase van de versterkers; sommige versterkers keren het signaal om en het gebruik ervan in combinatie met een versterker die dat niet doet zal voor een verstoorde frequentiekenmerk zorgen. Heeft u een combinatie van een omkerende en een niet-omkerende versterker, verwissel dan de polariteit van de luidsprekeraansluitingen van de omkerende versterker.*

*Onthoud dat hoewel de middentoner en, nog meer, de tweeter minder continu vermogen kunnen (en hoeven) te verwerken dan de woofers, de versterker die dit deel stuurt een voldoende vermogen dient te hebben om kortstondige pieken op hoge frequenties zonder vervorming te kunnen leveren. Een hoge maximale spanning staat voor veel vermogen en het is daarom niet echt raadzaam een versterker met minder vermogen de middentoner en tweeter te laten aansturen dan wordt gebruikt voor de woofers.*

Voordat u hieraan begint, eerst controleren of alle verbindingen in de installatie goed en stevig zijn gemaakt.

De luidsprekers verder van de wanden opstellen zal het algemene niveau van het laag reduceren. Ruimte achter de luidspreker creëert een indruk van diepte. Omgekeerd zal het verkleinen van de afstand tot de wanden het laag benadrukken en de indruk van diepte verminderen.

Wanneer het laag op sommige frequentie onregelmatig is, ligt dat meestal aan resonanties in de kamer. Zelfs kleine wijzigingen in de positie van de luidsprekers of de luisterpositie kan een merkbare invloed hebben op het effect van zulke resonanties op de weergave. Probeer ook de luidsprekers voor een andere wand op te stellen. En ook het verplaatsen van grote meubels kan een behoorlijk effect hebben.

Wanneer het geluid te scherp is, kunt u meer zachte meubilering gebruiken (zwaardere gordijnen bijvoorbeeld), dan wel deze reduceren wanneer het geluid te vlak en levenloos is. U kunt de ruimte testen op repeterende echo's door in uw handen te klappen en goed te luisteren naar snelle herhalingen. U kunt deze repeterende echo's reduceren door gebruik te maken van onregelmatige oppervlakken zoals boekenplanken en grote meubels.

De meest kritische luisteraars raden we aan de grills van de woofer en de middentoner te verwijderen door ze bij de rand vast te pakken en de voorzichtig van de kast te trekken.

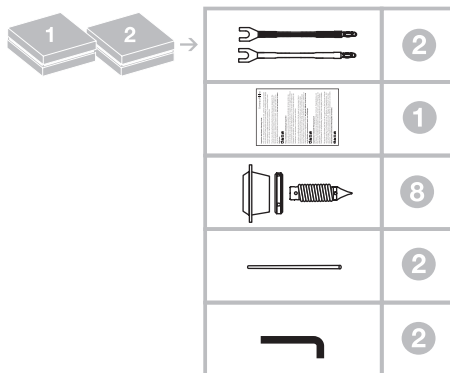
De eigenschappen van de luidsprekers zullen gedurende de eerste luisterperiode op subtiële wijze iets veranderen. Wanneer de luidspreker in een koude omgeving opgeslagen is geweest, zijn de dempende materialen en de ophanging wat stug en het duurt enige tijd voordat zij de juiste mechanische eigenschappen terug hebben. Ook zal de ophanging in de eerste uren van het gebruik nog wat soepeler worden. De tijd die de luidspreker nodig heeft om de beoogde eigenschappen te bereiken, wordt bepaald door de wijze waarop hij voorheen is opgeslagen en de manier waarop hij wordt gebruikt. Houd als richtlijn een week aan om een stabiele temperatuur te bereiken en ca. 15 uur gebruik om de mechanische onderdelen de beoogde eigenschappen te laten verkrijgen.

Maar ook langere inspeeltijden zijn gerapporteerd (tot een maand) en er zijn ook aanwijzingen dat dit minder te maken heeft met veranderingen van eigenschappen van de luidspreker als met de gewenning van de luisteraar aan de nieuwe klank. Dat geldt vooral voor luidsprekers als de 800 Serie Diamond, die in hoge mate laten horen wat de werkelijke inhoud van de opname is en daarmee een grotere detaillering in vergelijking tot wat de luisteraar voorheen was gewend.

De kast van de 800 Serie Diamond luidsprekers behoeft normaal gesproken alleen maar te worden afgestoft. We raden u aan de bijgevoegde stofdoek te gebruiken. Wilt u een schoonmaakspray of een ander middel gebruiken, verwijder dan eerst de grill door deze voorzichtig van de kast te trekken. Spuit op een zachte doek en nooit direct op de kast. Probeer eerst op een onzichtbare plek, daar sommige reinigingsmiddelen het oppervlak kunnen beschadigen. Vermijd schuurmiddelen of middelen die gif bevatten, alkali en antibacterie stoffen. Gebruik nooit schoonmaakmiddelen op de eenheden. Vermijd aanraking van de eenheden, vooral de tweeter, die zeer gemakkelijk beschadigd kan raken.

Voor Bowers & Wilkins speakers die zijn afgewerkt met echt hout worden de beste fineersoorten uitgezocht en voorzien van een tegen ultraviolet licht bestendige laklaag om verkleuring in de loop der tijd te voorkomen. Niettemin zal deze fineer net als alle natuurlijke materialen, op de omgeving reageren en enige verkleuring is normaal. Kleurverschillen kunnen worden voorkomen door alle delen in gelijke mate aan zonlicht bloot te stellen tot de kleur weer egaal is. Dat proces kan enige weken of zelfs maanden in beslag nemen en kan worden versneld met een ultraviolette lamp. Houd gefineerde delen uit de buurt van warmtebronnen zoals radiatoren en warme lucht bronnen om het barsten van houtfineer te voorkomen.

## 1. Распаковка ваших акустических систем



Акустические системы 800 Diamond и 802 Diamond очень тяжелые, и поэтому мы настоятельно рекомендуем, чтобы вы их распаковывали вдвоем, причем в той комнате, где они будут стоять. Следует также снять с рук все кольца и украшения, чтобы не поцарапать полированную отделку колонок.

В Таблице выше приведен список компонентов и деталей, которые упакованы вместе с 800 Diamond и 802 Diamond. В маловероятном случае, когда чего-либо не хватает, обращайтесь сразу же к продавцу, у которого вы купили колонки.

Все защитные решетки крепятся на магнитах. Когда вы прикрепляете решетку для СЧ-динамика, поверните ее так, чтобы совместить магниты для прочного соединения.


Купольные диафрагмы твитеров очень хрупкие и их легко повредить. Неправильное обращение с защитной решеткой твитера может привести к тому, что она будет притянута к диафрагме. По этой причине, защитная решетка твитера поставляется уже надетой, и мы не рекомендуем ее вообще трогать.

## 2. Размещение ваших 800 Diamond или 802 Diamond

Акустические системы поставляются с роликовыми опорами, прикрепленными к их нижней поверхности, чтобы облегчить маневрирование вблизи их окончательной позиции. Однако, из-за очень большого веса колонок, имеется шанс, что сами ролики могут оставить следы на уязвимых покрытиях пола. Поэтому мы советуем защитить пол с помощью промежуточного слоя из ковра или, например, плиток на время передвижения акустических систем.

После того, как колонки встанут около своих окончательных мест, роликовые опоры можно будет снять и навернуть регулируемые по высоте шипы или же резиновые подпятники. Как это сделать, описывается в Разделе 3.

### Информация по защите окружающей среды

 Все продукты Bowers & Wilkins созданы в полном соответствии с международными директивами по ограничению использования опасных материалов (Restriction of Hazardous Substances – RoHS) в электрическом и электронном оборудовании, а также по его утилизации (Waste Electrical and Electronic Equipment – WEEE). Знак перечеркнутого мусорного бака означает соответствие директивам и то, что продукт должен быть правильно утилизирован или переработан. Проконсультируйтесь с вашей местной организацией, которая занимается утилизацией отходов, по вопросам правильной сдачи вашего оборудования в утиль.

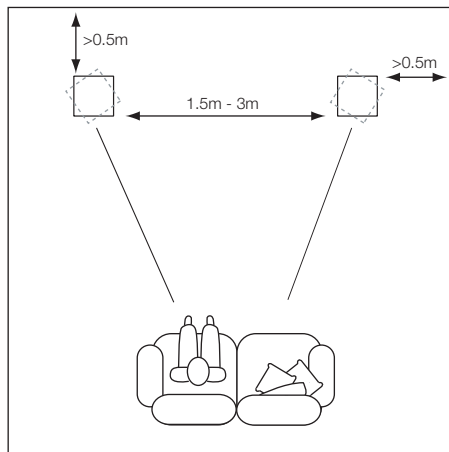
### Общие соображения

В стерео системе или домашнем театре постарайтесь сделать так, чтобы ближайшее окружение каждой из колонок было одинаковым по своим акустическим свойствам. Например, если одна из акустических систем установлена рядом с голой стеной, а другая – по соседству с мягкой мебелью и занавесками, это может отрицательно повлиять на качество звучания и стерео образа.

Расположение границ помещения также кардинально влияет на звучание акустических систем. Чем больше поверхностей находится рядом с колонками, тем больше будут почеркнуты низкие и средние частоты. Одновременно, стерео образ, создаваемый аустикой может оказаться менее сфокусированным и обладающим меньшей глубиной. Основная цель при размещении колонок – найти «золотую середину» в заданных помещением ограничениях, обеспечить нужный тональный баланс и качество звукового стерео образа. Повторный визит и корректировка положения колонок после первоначальной установки, скорее всего, улучшит качество звучания и поэтому обычно имеет смысл.

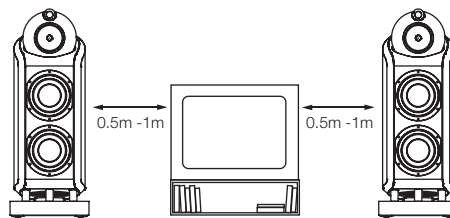
Акустические системы 800 Diamond и 802 Diamond имеют оптимальную диаграмму направленности по вертикали, которая рассчитана на покрытие среднего диапазона высот, на которых располагаются уши сидящих слушателей, от 0.9 м до 1.2 м. Если же вы садитесь гораздо ниже, регулируемые опоры 800 Diamond и 802 Diamond позволят немного наклонить их в вертикальной плоскости. См. Раздел 3.

### 3. Установка и регулировка опор



#### Стерео аудио системы

Для начала установите акустические системы на расстоянии 1.5 м - 3 м друг от друга и от места для прослушивания. Они должны быть отодвинуты по крайней мере на 0.5 м от задней стены и на 0.5 м от боковых стен. Возможно четкость стерео образа удастся улучшить, слегка развернув слегка колонки внутрь, в направлении зоны прослушивания, особенно если они установлены относительно далеко друг от друга. На рисунке выше показано размещение колонок в типичной стерео аудио системе.

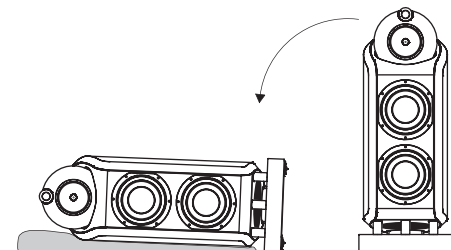


#### Многоканальные аудио-визуальные системы

Если акустические системы будут использоваться в роли фронтальных каналов в системе домашнего театра, их следует установить ближе друг к другу, чем в стерео системе, т.к. каналы окружающего звука имеют свойство расширять стерео образ. Размещение колонок приблизительно в 0.5 м от боков экрана помогает также согласовать масштабы звукового образа с изображением на экране. Как и в случае стерео системы, акустические системы должны находиться на расстоянии по крайней мере 0.5 м от любой из боковых стен. На рисунке выше показано размещение колонок в типичной многоканальной аудио-визуальной системе.

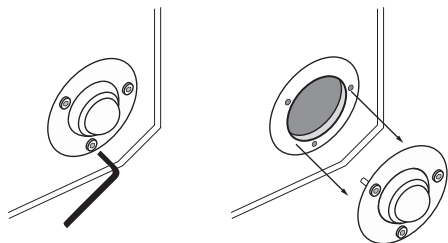
#### Рассеянное магнитное поле

Динамики колонок создают рассеянное магнитной поле, выходящее за пределы корпуса. Мы рекомендуем вам размещать чувствительные к магнитному полю объекты (кинескопные телевизоры и компьютерные дисплеи, магнитные диски, аудио и видео кассеты, кредитные карты и т.п.) на расстоянии не менее 0.5 м от акустических систем. Жидкокристаллические (LCD), OLED и плазменные экраны не подвержены воздействию магнитных полей.



Когда колонка находится вблизи своей окончательной позиции, можно снять с нее роликовые опоры и смонтировать регулируемые по высоте шипы или резиновые ножки. Эта процедура описана и проиллюстрирована в следующих разделах.

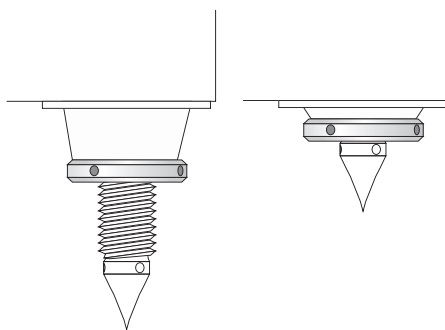
С помощью помощника, вдвоем осторожно положите колонку набок, как показано на рисунке выше. Заранее убедитесь, что поверхность, на которую вы ее кладете, не поцарапает полировку. Несмотря на то «голова» среднечастотного динамика смонтирована податливо и слегка перемещается, за нее можно брать и двигать колонку. Постарайтесь только ни в коем случае не прикасаться к динамикам при обращении с колонкой.



С помощью торцевого ключа (TORX) прилагаемого в коробке с аксессуарами, отверните и снимите четыре ролика, как показано на рисунке выше. Сохраните эти роликовые опоры на случай, если вам придется двигать колонки или переустанавливать их в будущем. Как только вы сняли ролики, на их место можно привинтить регулируемые опоры.

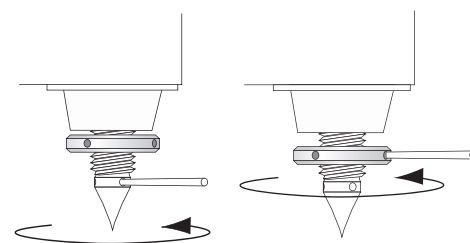
Регулируемые опоры имеют на одной стороне шипы, а на другой – резиновые ножки и могут быть обращены любой из них к полу. Шипы рассчитаны на то, чтобы проткнуть ковер и упереться в пол под ним, для защиты ковра от замятия и обеспечения акустике прочного основания. Для оптимального звучания мы всегда рекомендуем использовать шипы, но если материал пола исключает их применение, опоры можно повернуть резиновой стороной вниз.

*Примечание: Шипы можно использовать и на уязвимых покрытиях пола без ковров, однако под шипы следует подложить монеты.*



Регулируемые опоры крепятся внизу колонок на конические выступы с резьбой, которые могут быть смонтированы как заподлицо, так и с зазором для того, чтобы высоту можно было менять. Регулировка по высоте позволяет наклонять колонки на угол до  $8^\circ$ , если это необходимо, монтируя передние выступы с зазором, а задние - заподлицо. Если вы не собираетесь наклонять колонки, установите конические бобышки вровень с их дном.

Заверните опоры в конические бобышки с резьбой, повернув их шипами или резиновыми ножками – как вам надо, оставьте достаточно места для фиксирующих колец. Наживите, но не затягивайте фиксирующие кольца.



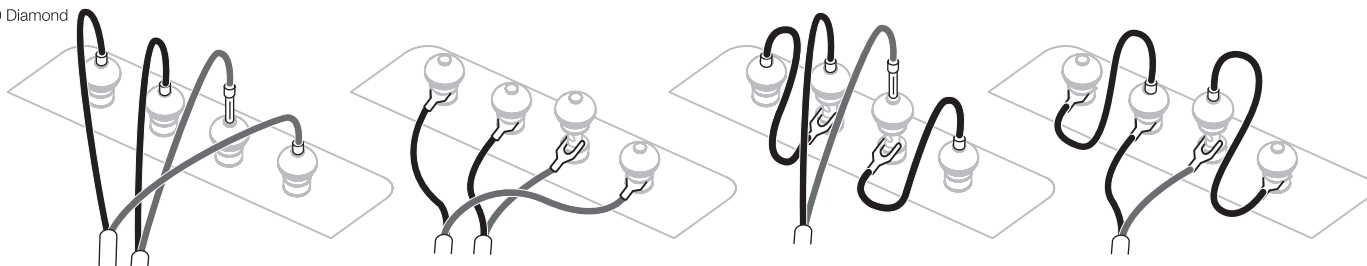
Когда регулируемые опоры прикреплены, колонку можно осторожно поставить вертикально вновь. Не допускайте, чтобы во время подъема весь вес колонки пришелся на угол или на одну или две опоры. Имейте также в виду, что неосторожное обращение с колонкой, на которой установлены шипы, может привести к травмам.

После того как акустическая система установлена вертикально, отрегулируйте высоту ножек, приподнимая ее с помощью прилагаемого стержня до нужного угла и выбирая резьбой зазор, как показано на рисунке выше. Наконец, затяните фиксирующее кольцо (контргайку) на конической бобышке, используя металлический стержень, как показано на рисунке выше.

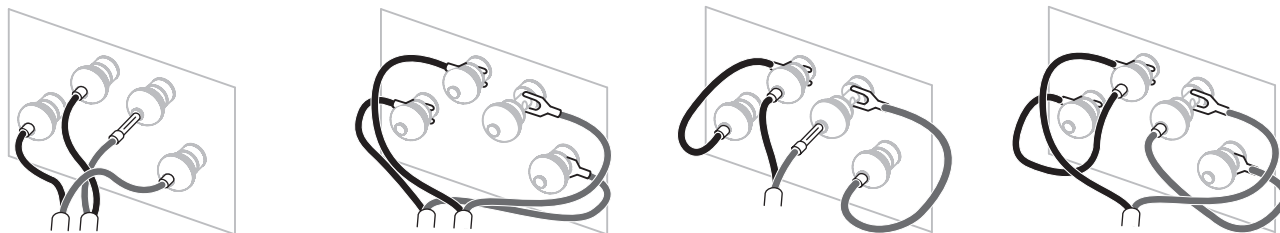


## 4. Подсоединение

800 Diamond



802 Diamond



Все подключения делают только при выключенном аудио оборудовании.

Клеммы 800 Diamond и 802 Diamond принимают широкое разнообразие кабельных разъемов: 4-мм разъемы «бананов», лопатки шириной 6 мм и 8 мм (1/4 in и 5/16 in), или же зачищенные концы кабелей диаметром до 4 мм (5/32 in).



### Важное замечание по безопасности

В некоторых странах, в частности в Европе, использование 4-мм разъемов «бананов» считается потенциально опасным, т.к. их по ошибке можно вставить в электрическую розетку. Для согласования с европейскими нормами безопасности (European CENELEC), 4-мм отверстия на концах клемм заблокированы пластмассовыми пробками. Если вы используете продукт в стране, где эти нормы действуют, вы должны быть уверены, что разъемы «бананы» не могут быть применены детьми или неосведомленными людьми с опасностью для здоровья.

Попросите вашего дилера порекомендовать кабель. Старайтесь, чтобы его импеданс был ниже максимально допустимого в спецификации, а индуктивность тоже была низкой, чтобы не ослабить высокие частоты.

На задней панели колонок имеются по две пары клемм, чтобы обеспечить возможность подключения би-ваерингом (двухкабельное, bi-wiring). Для обычного, однокабельного подключения, подсоедините проводники к клеммам соответствующей полярности.

Убедитесь, что плюсовая клемма на колонке (с красным кольцом) соединена с плюсовой выходной клеммой на усилителе, а минусовая на колонке (с черным кольцом) соединена с минусовой выходной клеммой на усилителе. Неверное соединение не приведет к повреждениям, но ухудшит стерео образ и ослабит басы. Всегда завинчивайте головки клемм до упора, чтобы избежать вибраций.

*Примечание: Би-ваеринг разделяет пути сигналов для каждой из секций колонки и может улучшить стерео картину, а также разрешение мелких деталей. Он позволяет также использовать разные типы кабелей для разных частотных диапазонов.*

*Би-ампинг (Bi-amplification) – это еще один шаг вперед, который требует использования двух независимых каналов усиления на каждую колонку. Это не то же самое, что и полностью «активная акустическая система», т.к. внутренний пассивный кроссовер в ней по-прежнему работает. Если используется би-ампинг, убедитесь, что каждый из каналов имеет одинаковый коэффициент усиления, в противном случае тональный баланс колонки будет искажен.*

*Проверьте также абсолютную полярность усилителей. Некоторые усилители инвертируют сигнал, и их использование совместно с не-инвертирующими приведет к искажению частотного отклика. Если у вас смесь инвертирующих и не-инвертирующих усилителей, поменяйте полярность при подсоединении к колонке для инвертирующего усилителя.*

*Имейте в виду, что хотя среднечастотные динамики и твитеры могут выдержать (и требуют для работы) меньшую мощность, чем басовые динамики, усилители, которые их питают, также должны иметь соответствующий размах напряжений, для того чтобы выдавать кратковременную мощность в музыкальных пиках без искажений. Возможность выдавать высокие напряжения подразумевает высокую выходную мощность, так что нежелательно на средние и высокие частоты ставить менее мощный усилитель, чем на басы.*

Перед окончательной точной настройкой убедитесь, что все подключено правильно и надежно.

Отодвигая колонки от стен можно снизить общий уровень басов. Наличие пространства позади акустических систем помогает также создать ощущение глубины. И наоборот, придвигая колонки ближе к стене, мы повышаем уровень басов и потенциально снижаем впечатление от глубины сцены.

Если бас неравномерный по частоте, обычно это вызвано возбуждением резонансов в комнате. Даже небольшие изменения в положении колонок или слушателей могут иметь глубокое влияние на то, как эти резонансы искажают звук. Попробуйте расставить колонки вдоль разных стен. Даже перемещение крупногабаритной мебели может повлиять на звучание.

Если звук слишком резкий, добавьте мягкой мебели в комнате (например, повесьте тяжелые шторы), или наоборот – уберите их, если звук глухой и безжизненный. Проверьте помещение на эхо, ударив ладоши и прислушиваясь к быстрым отзвукам. Их можно уменьшить за счет использования нерегулярных поверхностей, таких как книжные полки или крупногабаритная мебель.

Для наиболее взыскательных слушателей снимите защитные решетки с басовой и среднечастотной секций, взяв их за края и осторожно потянув к себе.

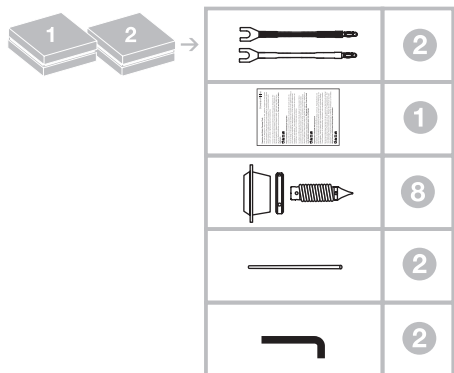
Звучание ваших акустических систем может слегка меняться в течение начального периода прослушивания. Если его хранили в холодном помещении, демпфирующим составам и материалам подвеса диффузоров динамиков потребуется некоторое время для восстановления нужных механических свойств. Подвес динамиков в ходе первых часов работы также теряет жесткость. Время, требующееся динамикам для достижения предписанного качества звучания, может варьировать в зависимости от условий предыдущего хранения и использования. Ориентировочно можно считать, что неделя потребуется для стабилизации температурных эффектов и около 15 часов работы при средней нагрузке - для достижения механическими частями расчетных характеристик.

К нам иногда поступают отзывы, что необходим более длительный период приработки (например, месяц), однако это, как правило, не имеет отношения к изменениям в свойствах АС, а скорее всего связано с привыканием слушателя к новому для него звучанию. Это прежде всего относится к колонкам с высокой разрешающей способностью, таким как АС Серии 800 Diamond, где слушателю может открыться значительно большее количество деталей, чем то, к которому он ранее привык.

Обычно корпуса колонок Серии 800 Diamond не требуют ничего, кроме очистки от пыли. Если же вы захотите использовать антистатик-аэрозоль для чистки, то распылите аэрозоль на протирочную ткань, а не на корпус. Испробуйте его сначала на небольшом участке поверхности, т.к. некоторые моющие вещества могут повреждать отделку. Избегайте применения жидкостей с абразивными частицами, содержащих кислоту или щелочь, а также антибактериальные вещества. Не используйте чистящие жидкости для динамиков. Избегайте касания диффузоров динамиков, т.к. это может привести к их повреждению.

Когда для отделки корпусов АС Bowers & Wilkins используется натуральное дерево, лучшие сорта шпона покрываются лаком, стойким к ультрафиолетовому излучению для минимизации изменений цвета со временем. Тем не менее, как и любой природный материал, фанера подвержена воздействию окружающей среды, и какое-то выцветание все равно возможно со временем. Разница в окраске может быть заглажена выставлением всех фанерованных поверхностей на солнце до тех пор, пока она не станет незаметной. Этот процесс может занять несколько дней или недель, но его можно ускорить умелым и аккуратным использованием ультрафиолетовой лампы. Держите фанерованные поверхности подальше от источников тепла, таких как радиаторы, тепловентиляторы или батареи центрального отопления, чтобы избежать растрескивания.

## 1. 打开扬声器包装箱



800 Diamond和802 Diamond有一定的重量，我们强烈建议在房间内由二人一起合力完成。作为谨慎的预防措施，也请阁下取下佩戴的首饰，以免刮伤扬声器表面的外饰。

上表列出了800 Diamond和802 Diamond随附的组件。如发现缺少任何组件，请先与购买扬声器的经销商联系。

所有面网都通过磁力吸附。安装中音面网时，请旋转它以找到吸力最强的位置。

高音振膜极为精致，很容易损坏。如果对高音面网处理不当，使其过分靠近单元，面网很可能吸进振膜。为此，高音面网已安装好，我们建议阁下不要拆卸。

运送时，扬声器的底部配备了滚轮脚，以便将其移动到最终的位置。但是，由于扬声器极重，滚轮本身有可能在较易划伤的地面留下痕迹。因此，我们建议在移动扬声器时用垫层保护地板，例如使用地毯或地板砖。

当扬声器接近最终位置时，便可以取下滚轮并安装可调校的钉脚或橡胶脚。相关内容在第3节中陈述。

### 环保信息



所有Bowers & Wilkins 产品的设计均符合国际上有关电子和电气设备的有害物质限制指令(RoHS)的规定和废弃电子电气设备指令(WEEE)的处置规定。这些标志说明它的相符性以及产品必须恰当回收或者按照这些规定进行处理。请向当地废弃物处理局咨询。

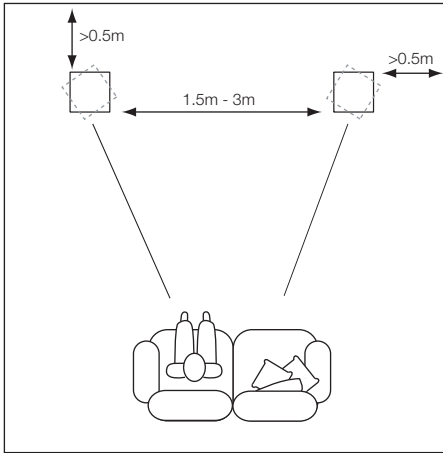
## 2. 800 Diamond 或 802 Diamond的摆放位置

### 一般指导原则

在立体声或家庭影院的安装过程中，请确保每台扬声器的邻近环境具有类同的声学特性。例如，如果一台扬声器靠近没有装饰的墙壁，而另一台扬声器却靠近柔软的饰物和窗帘，那么整体的音质和立体声像都可能受到影响。

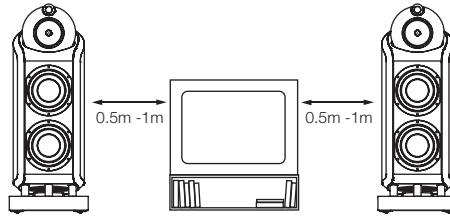
基本上房间的边界将会影响扬声器的声音效果。接近的表面越多，扬声器的低音和中低音将变得更加明显。同时，扬声器的立体声像将变得更加分散，更少深度。摆放扬声器时，目的是在室内限制、音质平衡和立体声像之间找到完美的中间点。在初始安装后重新考虑并再次调整扬声器的位置，将可能进一步改善音质，因此通常是值得尝试的做法。

800 Diamond和802 Diamond具有极佳的垂直聆听范围，可以覆盖坐着的收听者的平均耳高范围，介于0.9米及1.2米之间。如果座椅非常低，阁下可以在必要时对800 Diamond和802 Diamond的可调校底脚进行小幅垂直倾斜调整。请参见第3节。



#### 立体音频系统

开始安装时，扬声器的间距以及扬声器和收听位置的距离应在1.5米和3米之间。扬声器距离后墙和任何边墙的距离不应小于0.5米。两台扬声器成内夹角面对收听位置有助于改善立体声像的清晰度，当距离较远时效果尤其明显。上图展示了立体音频系统中扬声器的摆放位置。

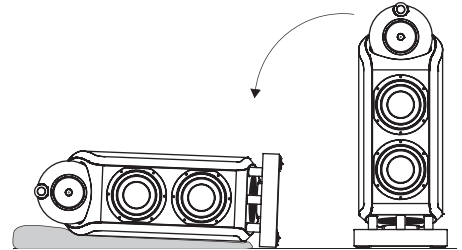


#### 多声道AV系统

与立体声系统相比，用于家庭影院系统前声道的扬声器间距应该更近，因为环绕声道趋向广阔立体声像。将扬声器放置在距离视频屏幕两边大约0.5米的范围内，也有助于保持声像与视觉图像同步。对于传统的立体声系统，理想情况下扬声器的位置应距离墙边至少0.5米。上图展示了多声道AV系统中扬声器的摆放位置。

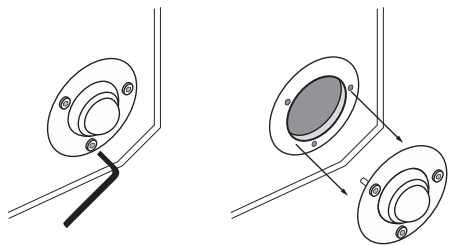
#### 杂散磁场

扬声器的驱动单元可产生延伸到扬声器周边以外地方的杂散磁场。我们建议阁下将对磁场过敏的物体（如CRT电视机和电脑屏幕、电脑磁盘、录音及录像带、信用卡等）放置距离扬声器至少0.5米的地方。等离子、LCD及OLED屏幕并不会受这种磁场影响。



当扬声器接近最终安装位置时，便可以取下滚轮并安装可调校的钉脚或橡胶脚。将于以下的段落中陈述及展示。

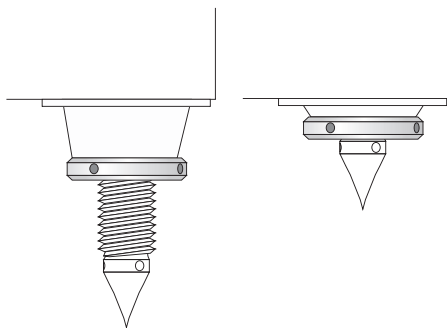
在另一位的帮助下，按照上图展示的方式，轻轻地将扬声器侧放。请确保放置扬声器的表面不会刮伤扬声器的外饰。尽管已按规定安装且稍有移动，扬声器的“顶部”是可以抓握的。在移动扬声器时，请避免触碰驱动单元。



使用配件包中随附的TORX螺丝刀，按照上图所示的方式卸下并移除四个滚轮。请保存四个滚轮，以便将来移动和重新安装扬声器时使用。移除滚轮后，便可以安装随附的可调校底脚。

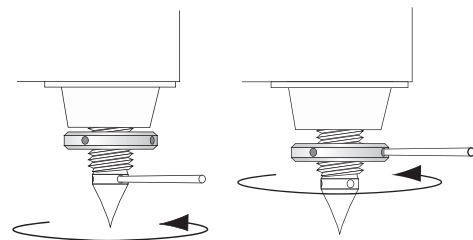
可调校底脚的一端为地板钉脚，另一端为橡胶垫，两端都可以朝向地板安装。钉脚是专为穿过地毯并站稳在地板上而设，同时保护地毯不留压痕，且为扬声器提供稳定的基座。为了实现最佳效果，我们建议采用钉脚一端，但如果地板的性质不允许，阁下也可以使用另一端的橡胶垫接触地面。

注：于精美的非地毯地板上，可透过将钉脚竖立在铜片上。



可调校底脚通过锥形螺纹轴套固定在扬声器的底部，既可以向外旋出也可以向内旋进，以便调整高度。请参见上图。阁下可以在必要时将前轴套旋出，后轴套旋进，以改变底脚高度，扬声器最高可向上倾斜8°。如果不需要倾斜扬声器，请一并将轴套向内旋进。

将底脚旋入轴套，根据需要要将钉脚或橡胶脚一端留置在外，只要留下固定环所需的螺纹即可。安装固定环时适可而止，不要旋拧过紧。

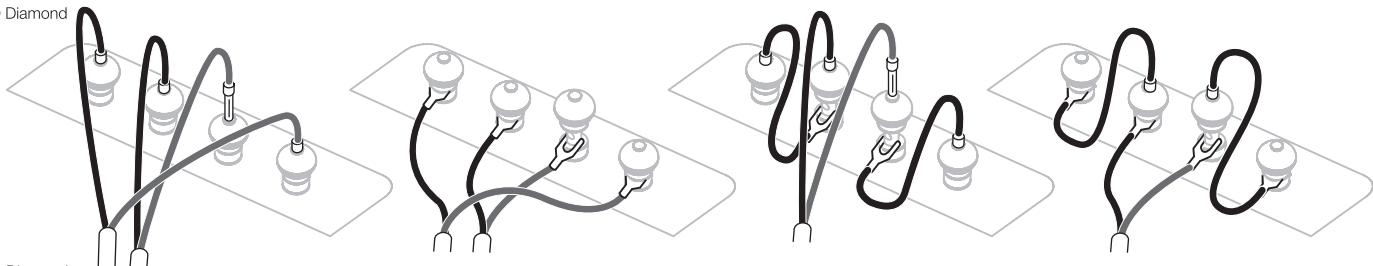


安装可调校底脚后，便可以小心地将扬声器竖立起来。在竖起扬声器的过程中，注意不要将扬声器的整个重量集中在一个或两个脚上。同时请注意，小心处理安装扬声器钉脚并不要造成损伤。

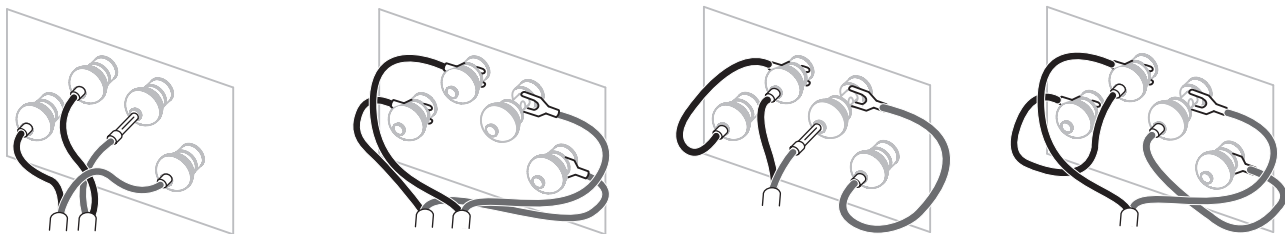
将扬声器竖起后，请使用随附的螺丝钻调校出所需的斜度，并按照上图所示消除任何晃动。最后，在轴套上旋紧固定环，如上图所示再次使用螺丝钻。

## 4. 连接

800 Diamond



802 Diamond



连接时须关闭所有音频设备。

800 Diamond和802 Diamond扬声器的插座适用于多种接头：4毫米香蕉插、6毫米和8毫米(1/4英寸和5/16英寸)的铲形接头或直径在4毫米(5/32英寸)以内的裸线。



### 重要安全指示

在某些国家，尤其是欧洲国家，使用4毫米香蕉插被认为具有安全危险，因为它们可以用于插入无遮蔽的电源座插孔。为了遵从欧洲电工标准化委员会CENELEC的安全规定，接线端上的4毫米孔由塑料插脚封闭。如果阁下在任何执行这种规定的国家内使用这些产品，请确保儿童或其他不知情人勿以危险的方式使用香蕉插。

在选择扬声器接线时，请向经销商咨询。总电阻抗应低于扬声器规格中所建议的最大值，并使用低电感的接线，以避免高频减弱。

每台扬声器的背部均有两对插座，可用于双线连接(左)。对于传统的单线连接，使用随附的接线与同极性的插座相连(右)。

连接时请确保将扬声器的正极端(配有红色环)连接到放大器的正极输出端，而且扬声器的负极端(配有黑色环)保持连接到放大器的负极输出端。错误连接虽然不会造成损坏，但会导致劣质立体声像效果及损失低音。请务必将插座盖锁紧以避免嘎嘎作响。

注：双线连接将通向扬声器各部分的信号路径分开，可改善立体声像和细节度。同时允许于不同的频带使用不同类型的接线。

双放大器更进一步地为每台扬声器配备了单独的功率放大器声道。这与完全“有源”的驱动器不同，因为扬声器内部的无源分频器仍在用。如果采用了双放大器，请确保每个放大器声道的增益相同，否则扬声器的声平便会失真。

也请检查放大器的绝对极性。有些放大器会使信号倒相，如果与不倒相类型的放大器结合使用，便会导致频率响应失真。如果要一起使用倒相和非倒相的放大器，请从倒相放大器上的扬声器的极性连接倒转。

请记住，即使是中音，尤其如此，高音单元能够（也只需要）处理的连续功率比低音单元要低，为扬声器提供声源的放大器需要有足够的电压摆幅，以便在音乐出现短促高频峰值时不发生失真。高压意味着高功率，因此推动中音和高音的放大器，需要比低音具有更高的功率。

## 5. 微调

在微调前，确保安装中的所有连接正确且安全。

将扬声器的位置移离墙壁，将会降低总体低音。扬声器后方的空间会帮助创造出一种听觉上的深度感。相反，将扬声器的位置移近墙壁会增强低音，同时可减少听觉上的深度感。

如果低音的频率不均衡，这很可能是因为房间内的谐振模式引起的。即使稍为改变扬声器或聆听者的位置，都可以使谐振对声音的效果产生很深的影响。请尝试在不同的墙边放置扬声器。移动较大的家具甚至也可能产生影响。

如果声音太过明快，则在房间内增加软性的陈设品(如重的窗帘)，或当声音较为沉闷且缺乏活力可减少软性的陈设品。可通过拍手并聆听快速重复的方式测试抖动回音。放置书架和大件家具等具有不规则表面的物体，有助于减少抖动回音。

要使声音层次更清晰，请抓住低音和中音面网的边缘，轻轻向箱体外拉以将其移除。

## 6. 煲机

在初始试听阶段，扬声器的性能会发生细微变化。如果扬声器被安装在较冷的环境下，驱动单元的阻尼复合组件和悬挂材料会需要一些时间来恢复其正确的机械性能。驱动单元的悬挂部分也会在最初使用的几小时内松动。使扬声器达到理想性能状态的时间将因之前的储存状况和使用方法而有所变化。作为使用指引，可使用一周时间来稳定温度的影响，或者用平均使用15小时的时间来使机械部分达到理想的设计性能。

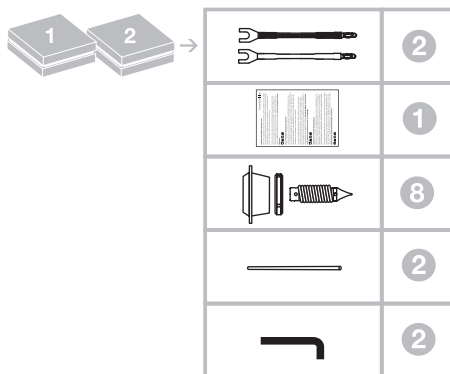
不过，也出现过更长时间的设备调试期(如一个月)。但证据显示这与扬声器的改变没多大关系，而与聆听者适应新的声音关系更大。这在扬声器的声音细节与聆听者以前所习惯的相比较有很大程度增加时，尤其如此，特别是如800 Diamond系列等优秀扬声器。

## 7. 保养

800 Diamond系列箱体表面通常仅需要除尘。建议阁下使用产品随附的布块。如果想要使用喷雾剂或其它清洁剂，请将清洁剂使用在布块上，不要直接喷到产品上，并先在一小块面积上试用，因为有些清洁产品可能会损坏表面。请勿使用具有磨蚀性，包含酸、碱或抗菌剂的产品。请勿对驱动单元使用清洁剂。请避免触摸驱动单元，因为可能导致损坏。

尽管Bowers & Wilkins扬声器使用真木外饰，其板材均通过精选，并使用耐紫外线漆处理，以减低随时间而产生的颜色变化。然而，就像所有的天然材料一样，表面饰板将受到环境的影响并产生不同程度的颜色变化。可通过将饰板表面同等平均地置于阳光下以修正颜色不一的现象，直到颜色统一。此过程可能需要数天或数星期，但是可通过小心使用紫外线灯来加速此过程。木质饰板表面应远离直接热源，例如，发热器和暖气出口口，以减小木质板材开裂的可能性。

## 1. 開梱



800 ダイアモンドおよび802ダイアモンド は非常に重いので、このスピーカーを使用する部屋で、2人以上で開梱することを強くお奨めします。また、スピーカーの表面仕上げに傷が付かないよう、予防策として宝飾品を外す方がよいでしょう。

上記の表は800ダイアモンドおよび802ダイアモンドと一緒に梱包されているコンポーネント部品を示しています。万が一いずれかが欠けていたら、スピーカーを購入された小売店に連絡してください。

グリルはすべて磁気で着いています。ミッド・レンジ用グリルを取り付ける場合は、グリルを回して、磁力の一番強い位置を見つけ、そこに合わせて下さい。

トゥイーター・ダイアフラムは非常にデリケートで傷つきやすい部品です。ユニットの近くでトゥイーター・グリルの取り扱いを誤るとグリルがダイアフラムに引き込まれてしまいます。そのため、トゥイーター・グリルはあらかじめ取り付けられています。そのままにしておくようお願いいたします。

## 2. 800ダイアモンド または802ダイアモンドの位置決め

### 一般的ガイドライン

ステレオまたはホームシアター設定のいずれでも、それぞれのスピーカー付近の環境を音響特性的に同じになるようにしてください。例えば、1台のスピーカーは裸の壁の横にあり、もう一方のスピーカーが柔らかい家具やカーテンの横にあると、全体的な音質および音像のいずれもが損なわれます。


部屋の壁の位置はスピーカーの音に根本的な影響を及ぼします。近くに多くの面があると、スピーカーの低音と中低音がより強調されます。また、スピーカーの音像の焦点がぼやけ、深みがなくなります。スピーカーの位置決めを行う目的は、室内の制約、音のバランス、音像の質の間で妥協点を探ることです。最初に設置した後もう一度スピーカーの位置を調整すると、音質がさらに良くなる場合があるので、お試し頂くことをお奨めします。

800ダイアモンド および802ダイアモンドの垂直リスニング・ウィンドウは、座っているリスナーの平均的な耳の高さである0.9mから1.2mの間に最適に合うように設計されています。座席が非常に低い場合は、必要に応じて、800ダイアモンドおよび802ダイアモンドの脚を調整し、縦方向に若干の傾斜を付けてください。セクション3をご覧ください。

スピーカーは、最終的な設置位置に移動しやすくするため、底にローラー・グライド脚が取り付けられた状態で出荷されています。しかし、スピーカーは非常に重いため、傷付きやすい床面にはローラー・グライド自体の跡が付くことがあります。そのため、スピーカーを移動させる際には、カーペットやフロアタイルを間に敷いて床を保護してください。

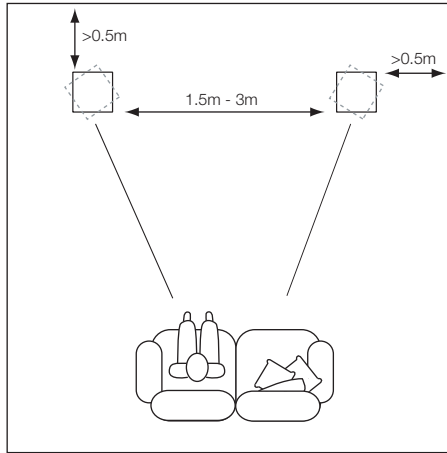
スピーカーを最終的な設置位置に近づけたら、ローラー・グライドを取り外し、調整可能なスパイクまたはゴム脚を取り付けることができます。これについてはセクション3で説明します。

### 環境情報

 すべてのB&W製品は、電気電子機器に含まれる特定有害物質の使用制限に関する欧州議会及び理事会指令 (RoHS) と、電気・電子機器廃棄物 (WEEE) に関する欧州議会及び理事会指令に準拠するよう設計されています。これらのシンボルマークはこれらの指令に対する準拠を示し、製品がそれらの指令に従って適切にリサイクルまたは処理しなければならないことを表しています。詳細はお近くの廃棄物処理局にお問い合わせください。

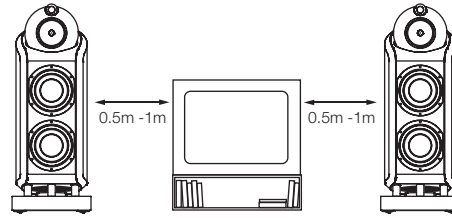


### 3. 脚の取り付けと調整



#### ステレオ・オーディオ・システム

まず、2つのスピーカーを1.5mから3m離し、リスニング位置から等距離に置きます。スピーカーは後部の壁から0.5m以上、側壁から0.5m以上離してください。特に両スピーカーが比較的離れている場合は、それぞれのスピーカーをリスニング位置に向けて設置すると音像がはっきりとします。上図は、ステレオ・オーディオ・システムのスピーカー設置位置を示します。

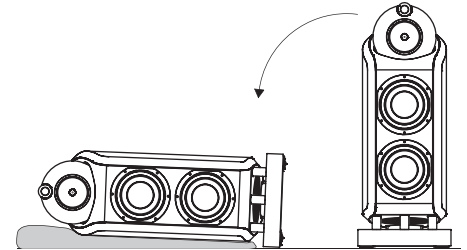


#### マルチチャンネル・オーディオビジュアル・システム

ホームシアター・システムのフロント・チャンネルとしてスピーカーを用いる場合は、サラウンド・チャンネルが音像を広げるため、ステレオ・オーディオの時より2つのスピーカーを近づけてください。スピーカーをビデオ・スクリーンの側面から約0.5mの範囲に置くと音像と視覚画像の釣り合いが取れます。従来のステレオ配置と同じように、スピーカーは側壁から0.5m以上離すのが理想的です。上図にマルチチャンネル・オーディオ・ビジュアル・システムのスピーカー設置位置を示します。

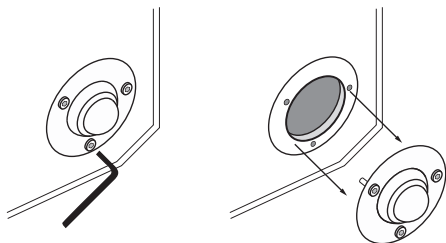
#### 漏洩磁束

スピーカーのドライブ・ユニットはキャビネットの境界を越えて漏洩磁束を発生させます。磁気に敏感な物(ブラウン管テレビやコンピュータ画面、コンピュータ・ディスク、オーディオ/ビデオテープ、磁気カードなど)はスピーカーから0.5m以上離してください。プラズマ、LCD、OLED画面は磁気の影響を受けません。



スピーカーを最終的な設置位置に近づけたら、ローラー・グライドを取り外し、調整可能なスパイクまたはゴム脚を取り付けることができます。これについて以下で説明及び図示します。

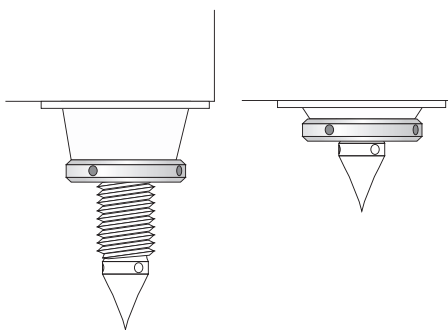
別の人に手伝ってもらって、上図に示すようにスピーカーを横向きに置きます。スピーカーを置く面でスピーカーの仕上げが傷付かないようにしてください。「ヘッド」は少し動くように取り付けられていますが、スピーカーを取り扱う際はこの「ヘッド」ユニットをつかんでください。スピーカーを取り扱う際にドライブユニットに触れないように注意してください。



付属品キットに入っているTORXドライバーで、上図に示すように4つのローラー・グライドのネジを緩めて取り外します。後にスピーカーを移動させ再度設置する場合に備えて、ローラー・グライドは保管しておいてください。ローラー・グライドを取り外したら、付属の調整可能な脚を取り付けます。

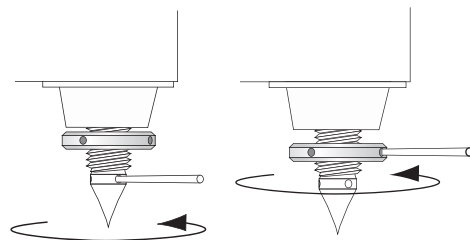
調整可能な脚には一端にフロア・スパイク、もう一端にはゴム・パッドが取り付けられており、どちらかを床に向けて取り付けることができます。スパイクは、カーペットが窪まないようにし、スピーカーをしっかりと安定させるため、カーペットを貫通してカーペットの下に届くよう設計されています。最適な性能を得るためにはスパイクを用いることをお奨めしますが、床の性質上これが無理な場合は逆向きにしてゴムパッドを床に向けてください。

注：スパイク脚は、スパイクをコインの上ののせるとカーペットを敷いていないデリケートな床でもご利用いただけます。



調整可能な脚は、円錐形のネジ込み式ボスを介してスピーカーの底に取り付けられています。ネジ込み式ボスは突き出した状態、または沈んだ状態で取り付け、高さを調整します(上図を参照)。正面と反対側の後部のボスの高さをそれぞれ調整すれば、必要に応じて最大8°まで上下に向けてスピーカーを設置することができます。スピーカーを傾けない場合は全てのボスを沈めた状態にしてください。

スパイクまたはゴム・パッドを希望する長さまで出して脚をボスにネジ込みます。ロックリングを取り付けられるようネジ部を残しておきます。ロックリングを取り付ける際は、締め付けないようにしてください。

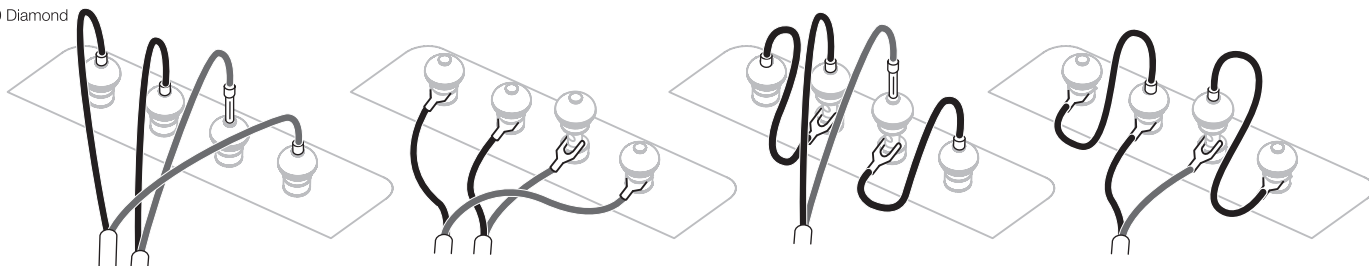


調整可能な脚をスピーカーに取り付けた状態で慎重にスピーカーを起こしてください。回転させる際に、スピーカーの全重量が1つまたは2つの脚にかからないように注意してください。また、スパイクを取り付けた状態でスピーカーを不注意に取り扱って怪我をしないようにしてください。

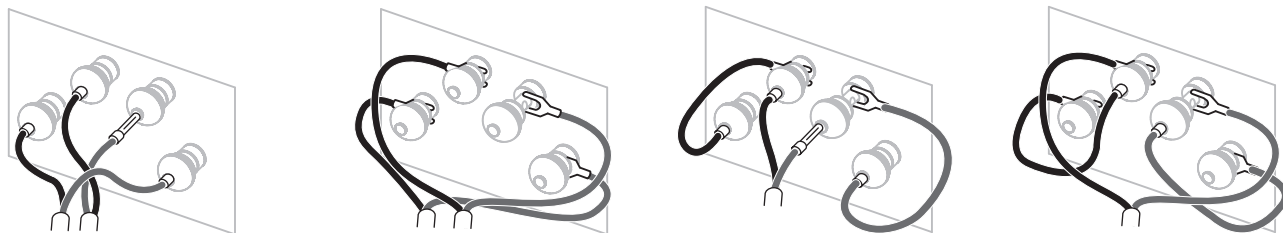
スピーカーを直立させたら、付属のトミーバーで脚を調整し、必要な傾斜を付け、上図に示すように揺れをなくしてください。最後にロックリングをボスに締め付けます。ここでも上図に従ってトミーバーを用います。

## 4. 接続

800 Diamond



802 Diamond



すべての接続はオーディオ機器のスイッチを切った状態で行ってください。

800ダイヤモンド および802ダイヤモンドのスピーカーの端子は様々なケーブル端子に対応しています。4mm バナナプラグ、6mm および 8mm (1/4 インチおよび 5/16 インチ) スペード・プラグ、または直径最大 4mm (5/32インチ) までの裸線などです。



### 重要な安全上の注意

特にヨーロッパ諸国などの一部の国では、4mmバナナプラグは、シャッターのない電源ソケットの穴に挿入される可能性があるため、潜在的に安全上の危険があると考えられています。欧州のCENELEC 安全規則に準拠するため、端子の先端の4mm の穴はプラスチック・ピンで塞がれています。これらの条件が適用される国でこの製品を使用する場合は、子供や知識のない人物が危険な方法でバナナプラグを使用できないようにしてください。

スピーカー・ケーブルを選ぶ際には販売店に問い合わせてください。総インピーダンスはスピーカーの仕様で推奨される最大値より低くし、低インダクタンス・ケーブルを用いて高音域が減衰しないようにしてください。

各スピーカーの背面には、バイ・ワイヤリングが可能な2組の端子があります(左上の4つの図)。従来のシングル・ワイヤ接続を行う場合は、付属のリンク・ワイヤで同じ極性の端子をつないでください(右上の4つの図)。

スピーカーのプラス端子(赤いリング)をアンプのプラス出力端子に、スピーカーのマイナスの端子(黒いリング)をアンプのマイナス出力端子に必ず接続してください。接続を誤っても破損することはありませんが、音像が損なわれ、低音が失われます。端子のキャップは必ず完全に下まで回して締め、ガタつかないようにしてください。

注: バイ・ワイヤリングはスピーカーの各部分への信号経路を分離し、音像が良くなり細部の解像度が上がります。また、各周波数帯域で異なるタイプのケーブルを用いることもできます。

バイ・アンプはさらにハイレベルで、各スピーカーで独立したチャンネルのパワーアンプを使用します。スピーカーの内部パッシブ・クロスオーバーを用いるので、完全な「アクティブ」ドライブと同じではありません。バイ・アンプ接続を行う場合は、各チャンネル・アンプのゲインを同じにしてください。そうでないとスピーカーの音のバランスが崩れます。

またアンプの絶対極性を確認してください。アンプの中には信号を反転させるものがあり、これを非反転タイプのアンプと組み合わせると周波数レスポンスが乱れます。反転タイプと非反転タイプのアンプを組み合わせる場合は、反転アンプからスピーカーへの接続部の極性を逆にしてください。

ミッドレンジや、トゥイーター・ドライバーの場合は特に、バス・ドライバーに比べて連続出力をあまり再生できません(その必要がないため)、これらのドライバーを駆動するアンプには、歪みなく音楽の短期的な高周波ピークを出せるよう適切なダイナミック・レンジが必要です。高ダイナミック・レンジとは高出力のことなので、バス・ドライバーで使用するアンプと同等の出力のアンプでミッドレンジおよびトゥイーターを駆動するのが望ましいです。

## 5. 微調整

微調整を行う前に、スピーカー・システムのすべての接続が正しくしっかりと行われているか再度確認してください。

スピーカーを壁から離すと全体的な低音のレベルが下がります。スピーカーの後ろにスペースがあると音に深みが出ます。反対に、スピーカーを壁に近づけると低音のレベルが上がリ、音の深みが少なくなる可能性があります。

低音の周波数にむらがある場合、たいてい、それは部屋で共鳴が起こっているためです。スピーカーまたはリスナーの位置を少し変えるだけでも、こうした共鳴が音に及ぼす影響を大きく変えることができます。試しにスピーカーを別の壁の近くに置いてみてください。大きな家具を動かすだけでも効果があります。

音が強すぎて耳障りな場合は、部屋の中に柔らかい素材の調度品(例えば、厚いカーテンなど)を増やしてください。音が鈍く精彩がない場合はこれらの調度品を減らしてください。手を叩き、速い音の反響を聞いてフラッター・エコーを確かめます。本棚や大型の家具など不規則な形状の面があるとフラッターエコーを抑えることができます。

最もシャープな音を聞きたい場合は、バスとミッドレンジのグリルの端をつかんでキャビネットからそっと引っ張り、グリルを取り外してください。

## 6. 鳴らし運転

あなたのスピーカーの性能は、初期の試聴期間に微妙に変化する場合があります。もしそれらを寒冷な環境に収納していた場合は、ドライブ・ユニットの制動材やサスペンション材が正常な機械特性を回復するのにある程度時間がかかります。ドライブユニットのサスペンションもまた、使用開始後の数時間で緩みます。スピーカーが意図された性能を発揮するまでにかかる時間は、それまでの保管状況や使用方法によって異なります。指針としては、気温による影響が安定するのは最長で1週間ご使用になってから、また、機械部品が意図された設計特性を発揮するまで平均して15時間ご使用になってからとなります。

もっと長い慣らし期間(1ヶ月)も時に報告されていますが、これはスピーカーの変化にはほとんど関係ありません。むしろ、リスナーが新しい音に慣れるまでの時間に関係しています。800ダイヤモンド・シリーズのような音の再現性が高いスピーカーでは特にいえることです。以前慣れ親しんでいた音に比べ、音楽の中の細かい音が非常にたくさん聞こえるからです。

## 7. お手入れ

800ダイヤモンド・シリーズのキャビネットの表面は、通常埃を払う程度で十分です。製品付属の布を使用することをお勧めします。スプレー式クリーナー等のクリーナーを使用する場合は、一部のクリーナーでは表面にダメージを与えることもありますので、クリーナーを直接製品に吹き付けるのではなく、布に吹き付けて、まず狭い範囲で試してください。ドライブ・ユニットにはクリーナーを使用しないでください。ダメージを与える可能性があるため、ドライブ・ユニットには触れないで下さい。

Bowers & Wilkinsでは、リアルウッド仕上げのスピーカーには最高級の化粧板を選び、色の経年変化を最小限にする紫外線抵抗色のカラー塗料で処理しています。それでも、あらゆる自然素材と同様に、化粧板は、環境の影響を受け、ある程度の色の変化が予想されます。色の変化は、化粧板の全表面を、色が一樣になるまでむらなく均等に日光をあてることで修正できます。この処理には数日または数週間かかる場合がありますが、紫外線ランプを注意して使用することで所要時間を短縮することができます。また、化粧板の表面に亀裂が入る可能性を最小限に抑えるために、ラジエーターや暖気排出口等の直接的な熱源から離れた場所に置いてください。

EU DECLARATION OF CONFORMITY

We,

**B&W Group Ltd.**

whose registered office is situated at

**Dale Road, Worthing, West Sussex, BN11 2BH, United Kingdom**

declare under our sole responsibility that the products:

**800 Diamond and 802 Diamond**

comply with the EU Electro-Magnetic Compatibility (EMC) Directive 89/336/EEC, in pursuance of which the following standards have been applied:

EN 61000-6-1 : 2007

EN 61000-6-3 : 2001

EN 55020 : 2002

EN 55013 : 2001

and comply with the EU General Product Safety 2001/95/EC, in pursuance of which the following standard has been applied:

EN 60065 : 2002

This declaration attests that the manufacturing process quality control and product documentation accord with the need to assure continued compliance.

The attention of the user is drawn to any special measures regarding the use of this equipment that may be detailed in the owner's manual.

Signed:



G Edwards  
Executive Vice President, Operations  
B&W Group Ltd.

# Bowers & Wilkins

B&W Group Ltd  
Dale Road  
Worthing West Sussex  
BN11 2BH England

T +44 (0) 1903 221 800  
F +44 (0) 1903 221 801  
info@bwgroup.com  
www.bowers-wilkins.com

B&W Group (UK Sales)  
T +44 (0) 1903 221 500  
E uksales@bwgroup.com

B&W Group North America  
T +1 978 664 2870  
E marketing@bwgroupusa.com

B&W Group Asia Ltd  
T +852 3 472 9300  
E info@bwgroup.hk

Copyright © B&W Group Ltd. E&OE  
Printed in England