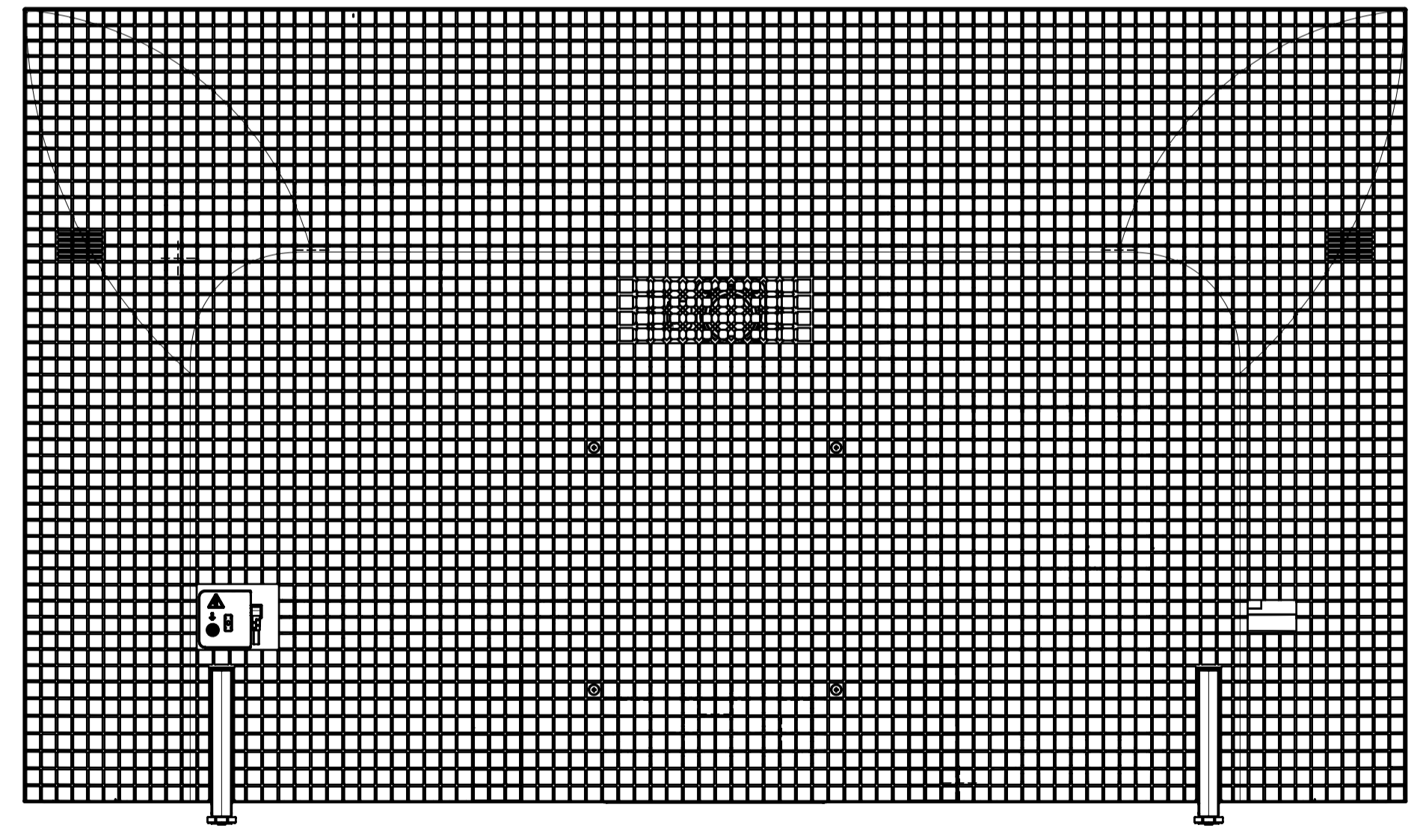
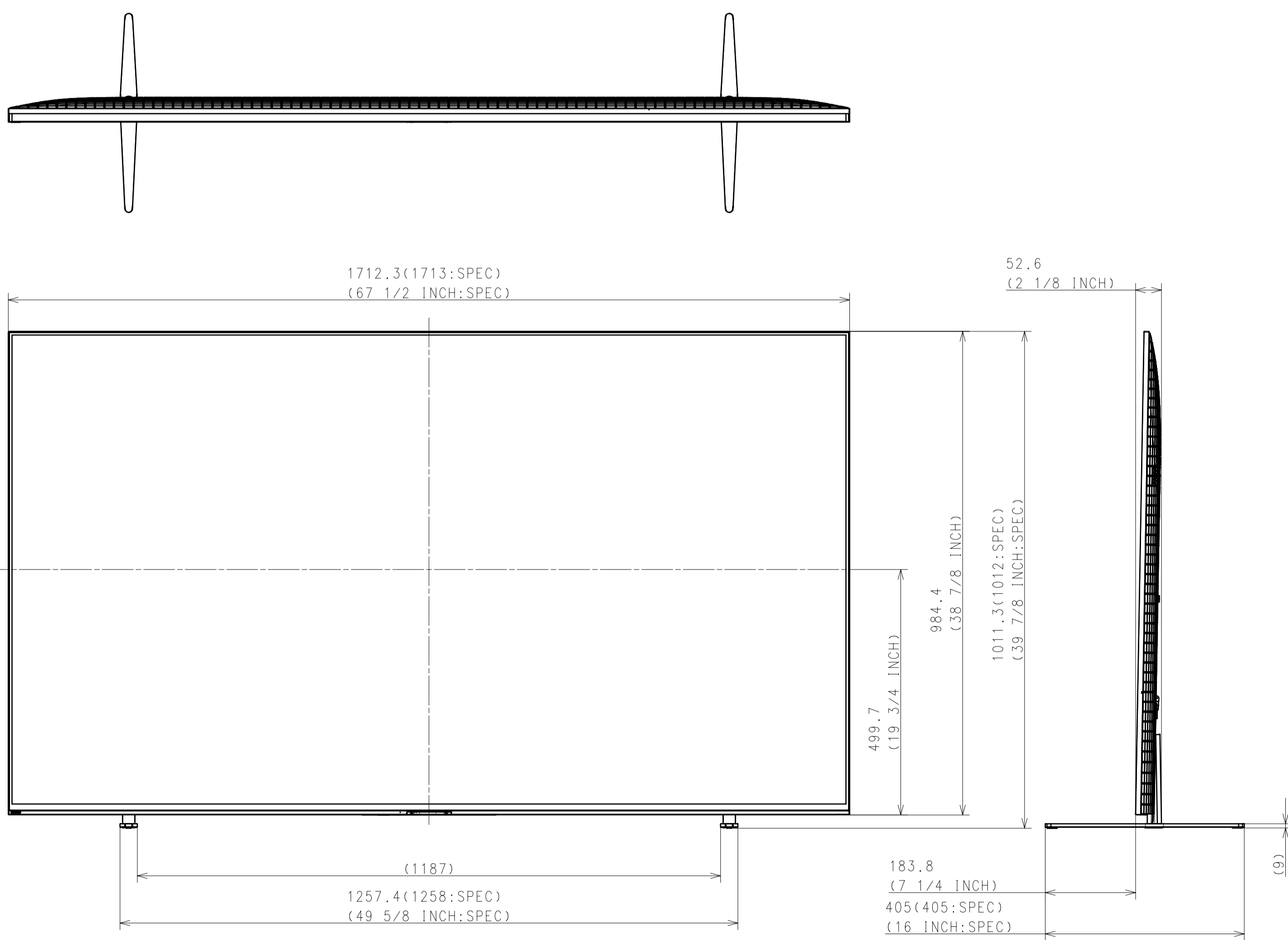


Area	JAPAN	NORTH AMERICA	LATIN AMERICA	EUROPE	GENERAL AREA + IN5 stand models	CHINA
Model Name	K-77XR80	K-77XR80	K-77XR80	K-77XR80	K-77XR80	K-77XR80
SV No.	SV-42133	SV-42107	SV-42119	SV-42122	SV-42196	SV-42217
DIMENSION	TV only (W x H x D)	171.3 x 98.4 x 3.8 cm	1713 x 984 x 38 mm / 67 1/2 x 38 3/4 x 1 1/2 inch	1713 x 984 x 38 mm	Approx. 171.3 x 98.4 x 3.8 cm	Approx. 1713 x 984 x 38 mm
	TV only with camera (W x H x D)	-	-	-	-	-
	TV with Stand (Outside) (W x H x D)	171.3 x 101.2 x 40.5 cm	1713 x 1012 x 405 mm / 67 1/2 x 39 7/8 x 16 inch	1713 x 1012 x 405 mm	Approx. 171.3 x 101.2 x 40.5 cm	Approx. 1713 x 1012 x 405 mm
	TV with Stand (Inside) (W x H x D)	171.3 x 101.2 x 40.5 cm	1713 x 1012 x 405 mm / 67 1/2 x 39 7/8 x 16 inch	1713 x 1012 x 405 mm	Approx. 171.3 x 101.2 x 40.5 cm	Approx. 1713 x 1012 x 405 mm
	TV with Stand (Outside for Soundbar) (W x H x D)	171.3 x 106.6 x 40.5 cm	1713 x 1066 x 405 mm / 67 1/2 x 42 x 16 inch	1713 x 1066 x 405 mm	Approx. 171.3 x 106.6 x 40.5 cm	Approx. 1713 x 1066 x 405 mm
	TV with Stand (Inside for Soundbar) (W x H x D)	171.3 x 106.6 x 40.5 cm	1713 x 1066 x 405 mm / 67 1/2 x 42 x 16 inch	1713 x 1066 x 405 mm	Approx. 171.3 x 106.6 x 40.5 cm	Approx. 1713 x 1066 x 405 mm
	TV with Stand (Front position style) (W x H x D)	-	-	-	-	-
	TV with Stand (Back position style) (W x H x D)	-	-	-	-	-
	TV with Floor Stand (W x H x D)	-	-	-	-	-
	Stand Width (Outside)	125.8 cm	1258 mm / 49 5/8 inch	1258 mm	Approx. 125.8 cm	Approx. 1258 mm
	Stand Width (Inside)	59.6 cm	596 mm / 23 1/2 inch	596 mm	Approx. 59.6 cm	Approx. 596 mm
	Stand Width (Outside for Soundbar)	125.8 cm	1258 mm / 49 5/8 inch	1258 mm	Approx. 125.8 cm	Approx. 1258 mm
	Stand Width (Inside for Soundbar)	59.6 cm	596 mm / 23 1/2 inch	596 mm	Approx. 59.6 cm	Approx. 596 mm
	Stand Width (Front position style)	-	-	-	-	-
	Stand Width (Back position style)	-	-	-	-	-
	Floor Stand Width	-	-	-	-	-
	VESA Hole Pitch	30.0 x 30.0 cm	300 x 300 mm / 11 7/8 x 11 7/8 inch	300 x 300 mm	30.0 x 30.0 cm	300 x 300 mm
WEIGHT	TV Only	32.3 kg	32.3 kg / 71.2 lb	32.3 kg	Approx. 32.3 kg	Approx. 32.3 kg
	TV with Stand (Outside)	34 kg	34 kg / 74.9 lb	34 kg	Approx. 34 kg	Approx. 34 kg
	TV with Stand (Inside)	34 kg	34 kg / 74.9 lb	34 kg	Approx. 34 kg	Approx. 34 kg
	TV with Stand (Outside for Soundbar)	34 kg	34 kg / 74.9 lb	34 kg	Approx. 34 kg	Approx. 34 kg
	TV with Stand (Inside for Soundbar)	34 kg	34 kg / 74.9 lb	34 kg	Approx. 34 kg	Approx. 34 kg
	TV with Stand (Front/Back position style)	-	-	-	-	-
	TV with Floor Stand	-	-	-	-	-
	Floor Stand weight (Supply)	-	-	-	-	-
	W-M't Br. Weight (Supply)	-	-	-	-	-
Remarks		4 WAY	4 WAY	4 WAY	4 WAY	4 WAY

WITH STAND
OUTSIDE

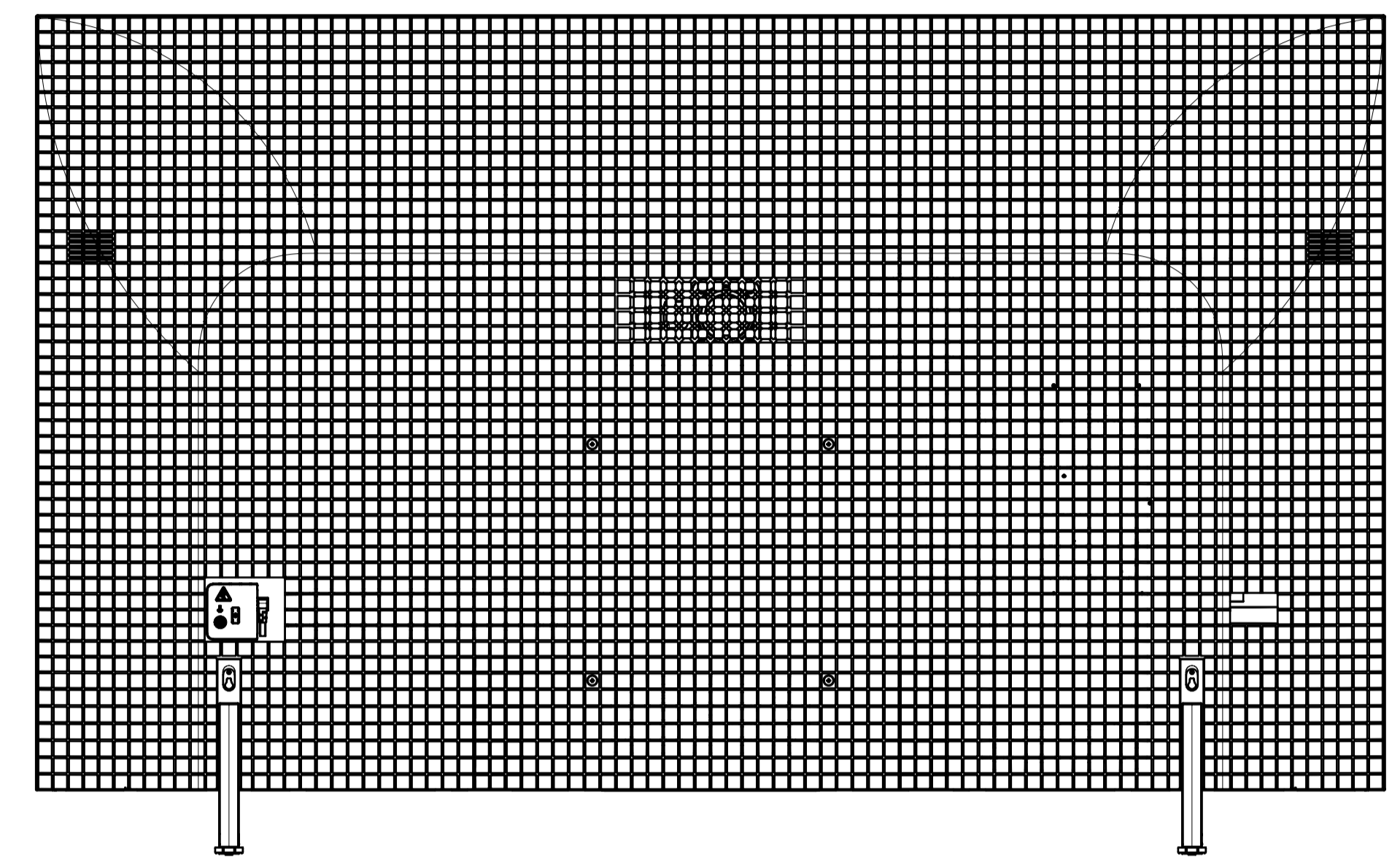
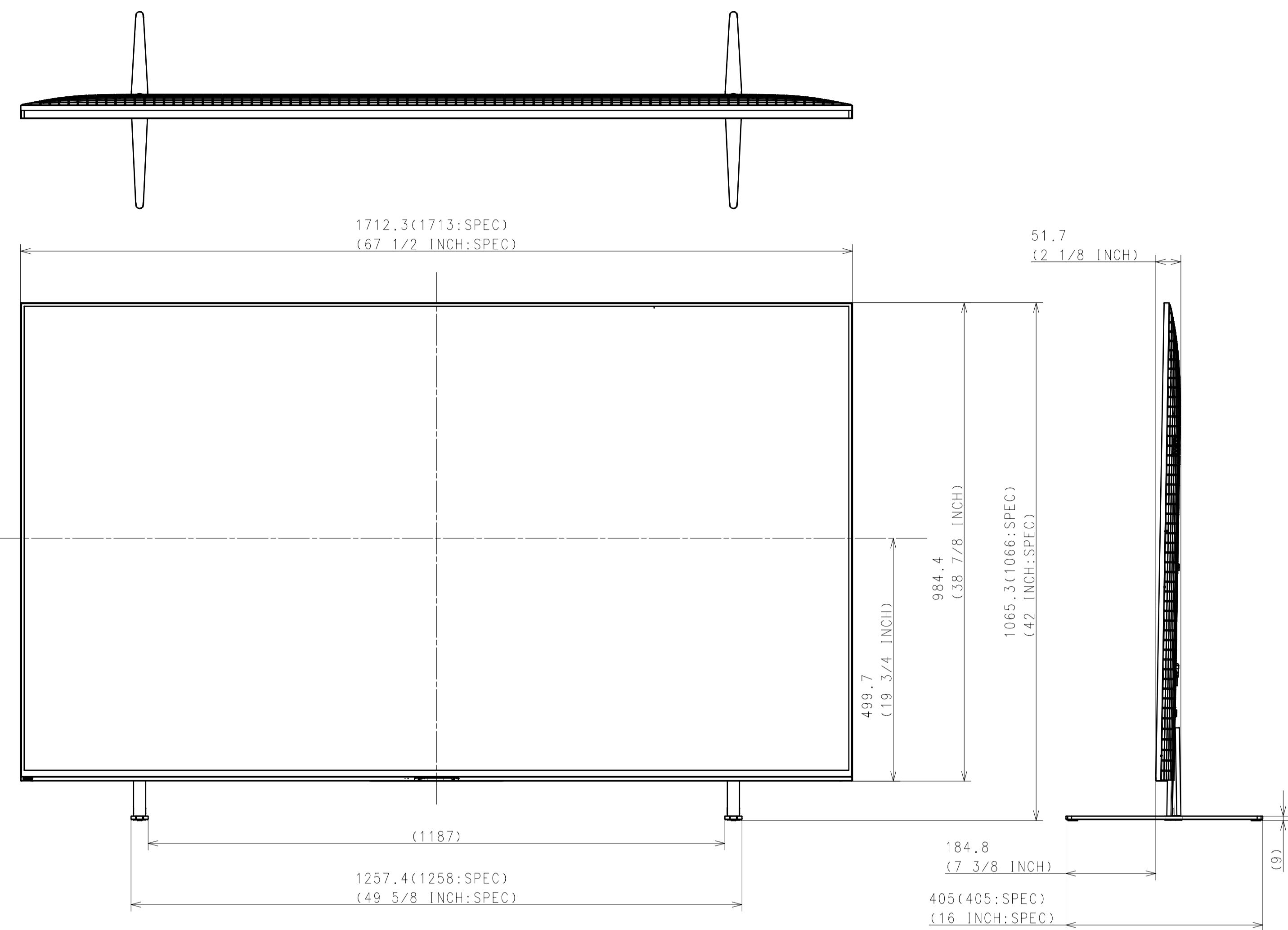
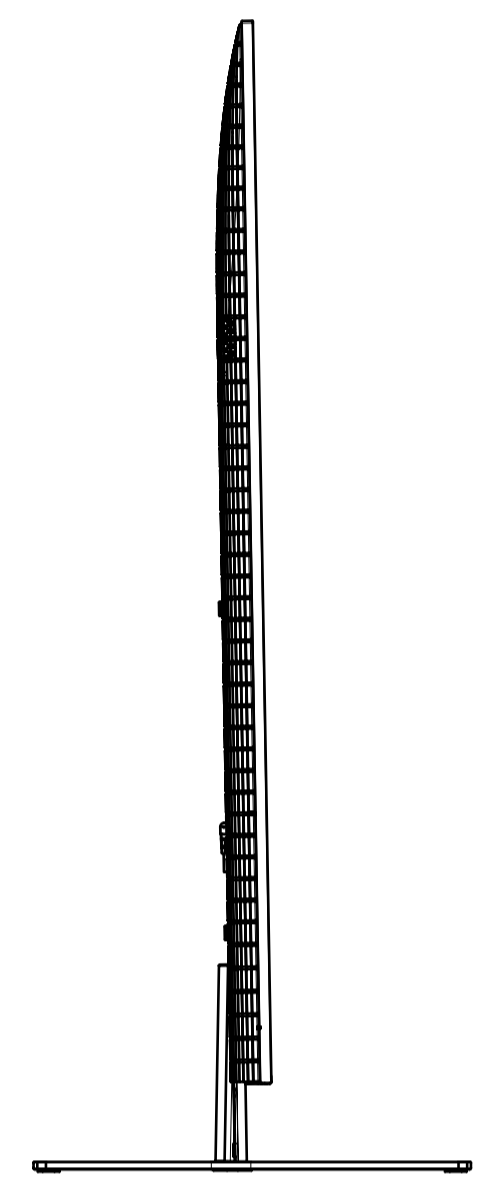


Purchase recycled resins and wire rods only from the business partners that Sony approves as Green Partners.
再生樹脂・電線鋼線はグリーンパートナー 協賛品から調達すること。

△x					GENERAL TOLERANCE	DATE OF ISSUE
△y						2023.12.13
△z						DOCUMENT TYPE
						ASSEMBLY
						DRAWING
						JIS & JWEI(CIS) BASIS
HISTORY	SUFFIX	RELEASE NO.	DATE	REVISION	SIGN.	MATERIAL COLOR
1		2024.02.16		Pgl weight revision at Japan column	syed	FINISH COLOR
LEGAL OWNER	Sony Corporation					
RESPONSIBLE DEPARTMENT	PANEL & MECHANICAL DESIGN			ORIGINAL MODEL	77 (XR80) EXTERIOR VIEW	
PLANNED BY	DESIGNED BY	APPROVED BY	SCALE	TENTATIVE MODEL	DESCRIPTION	
2023.12.13			1:7		77 (XR80) EXTERIOR VIEW	
SYED-DES-MECH					PART NO.	SUFFIX
2023.12.13						REV. NO.
SYED-DES-MECH						1 / 8

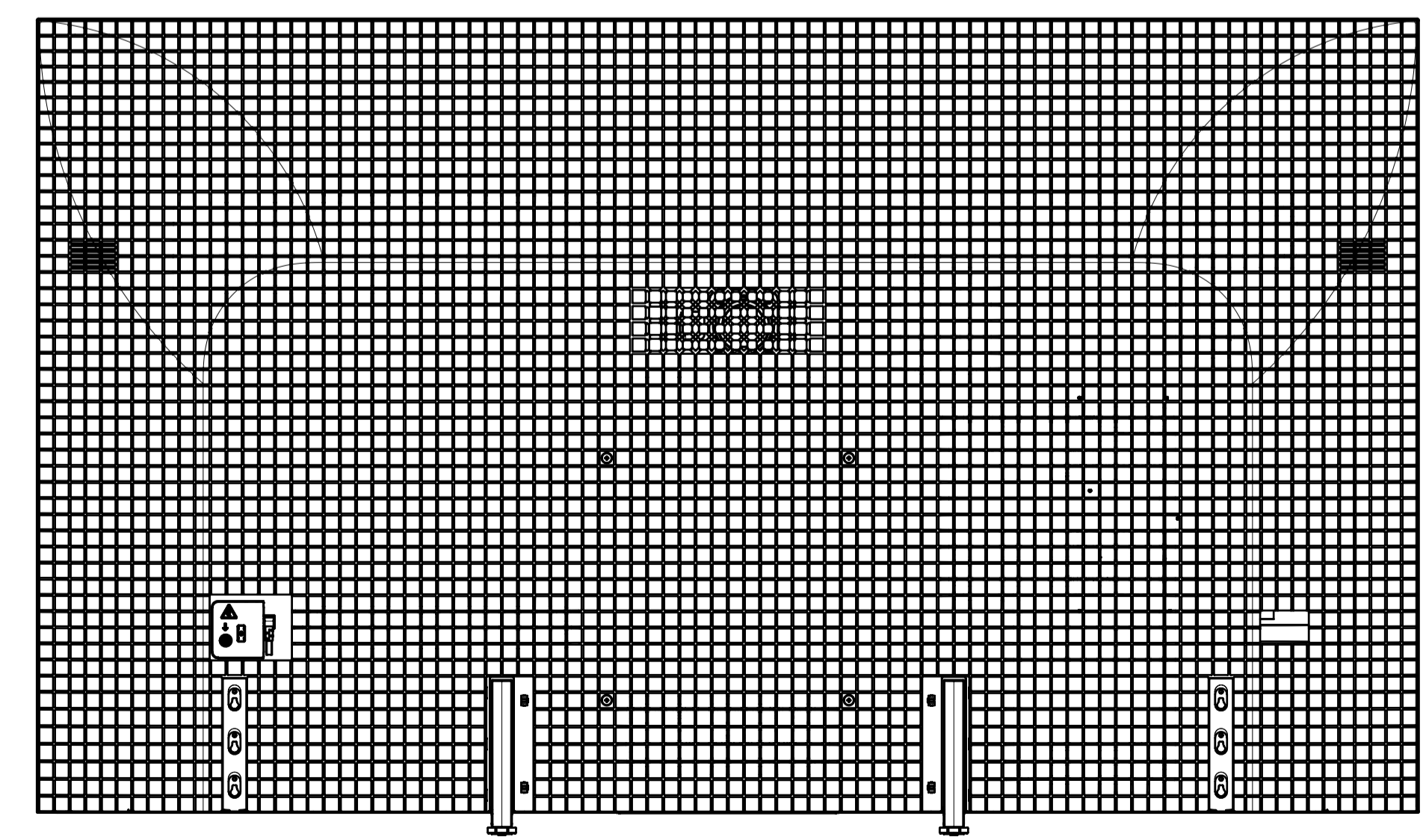
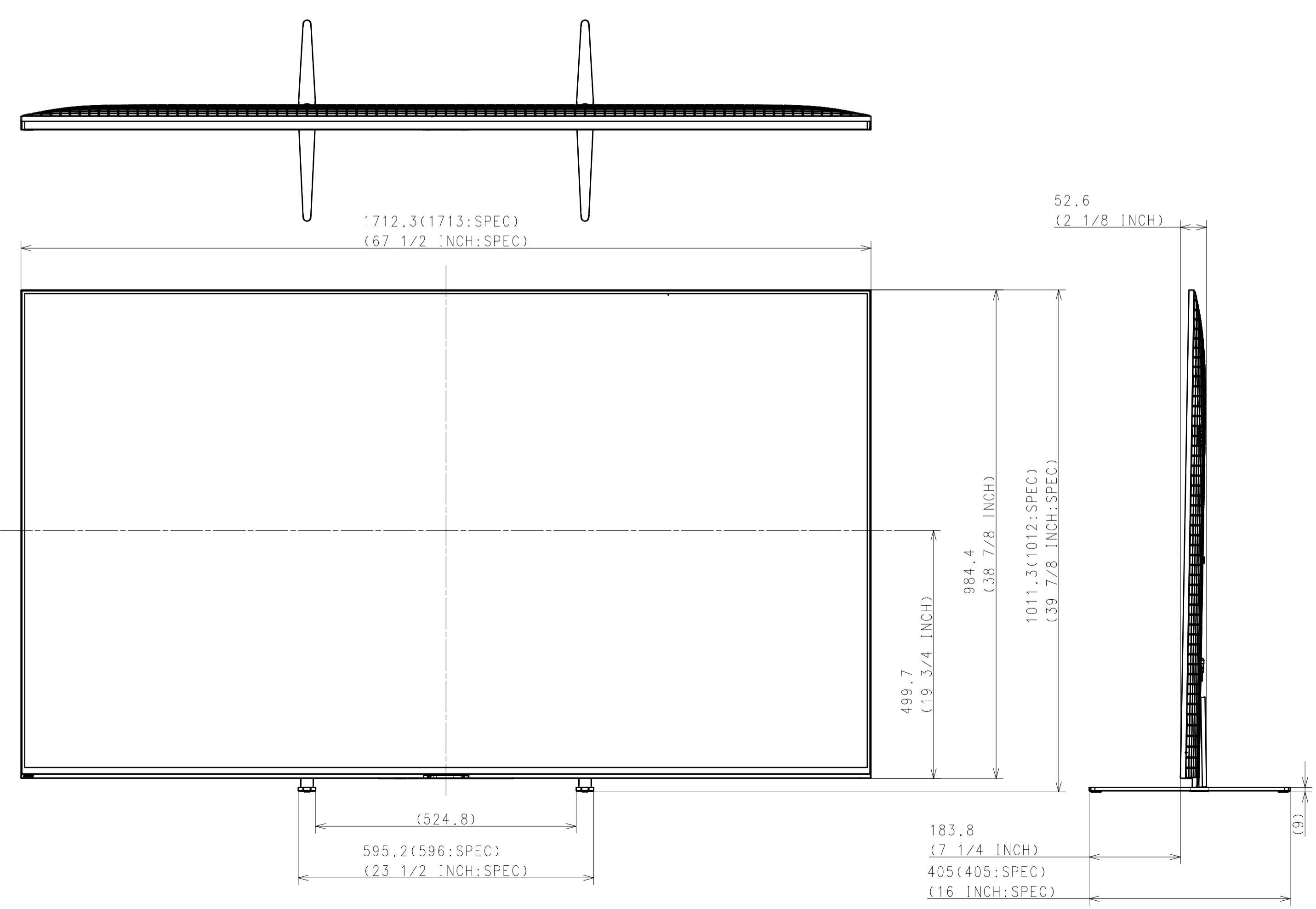
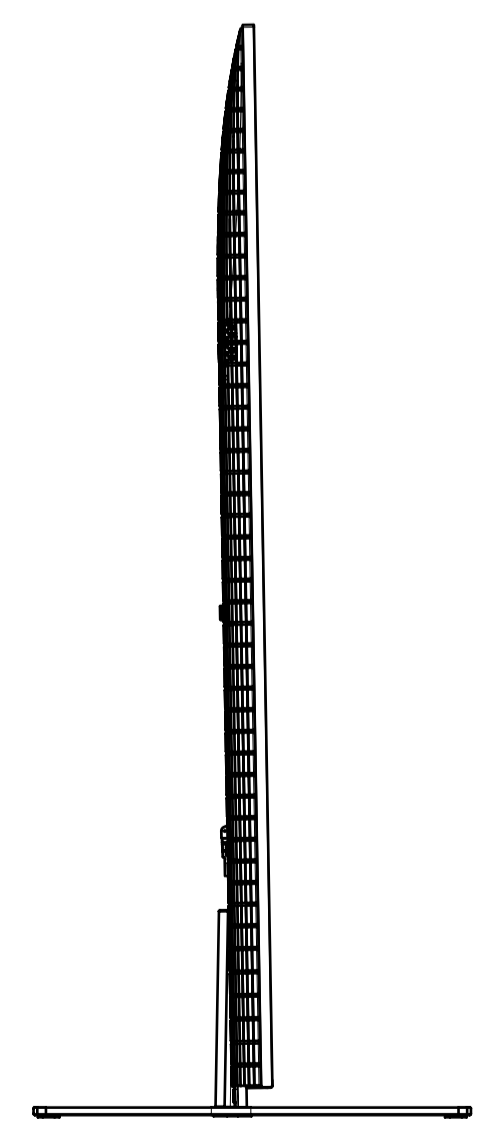
WITH STAND

OUTSIDE FOR SOUNDBAR



WITH STAND

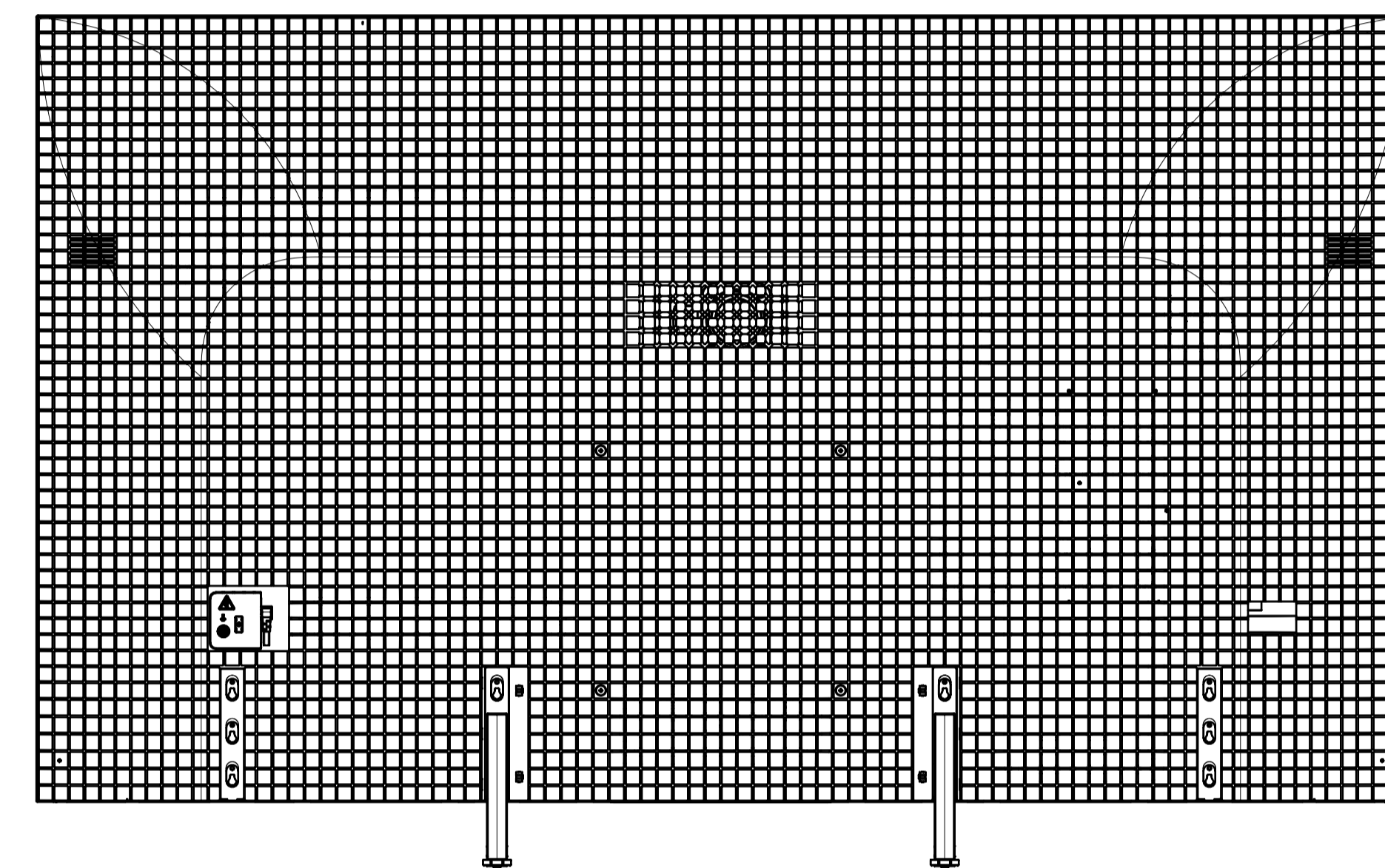
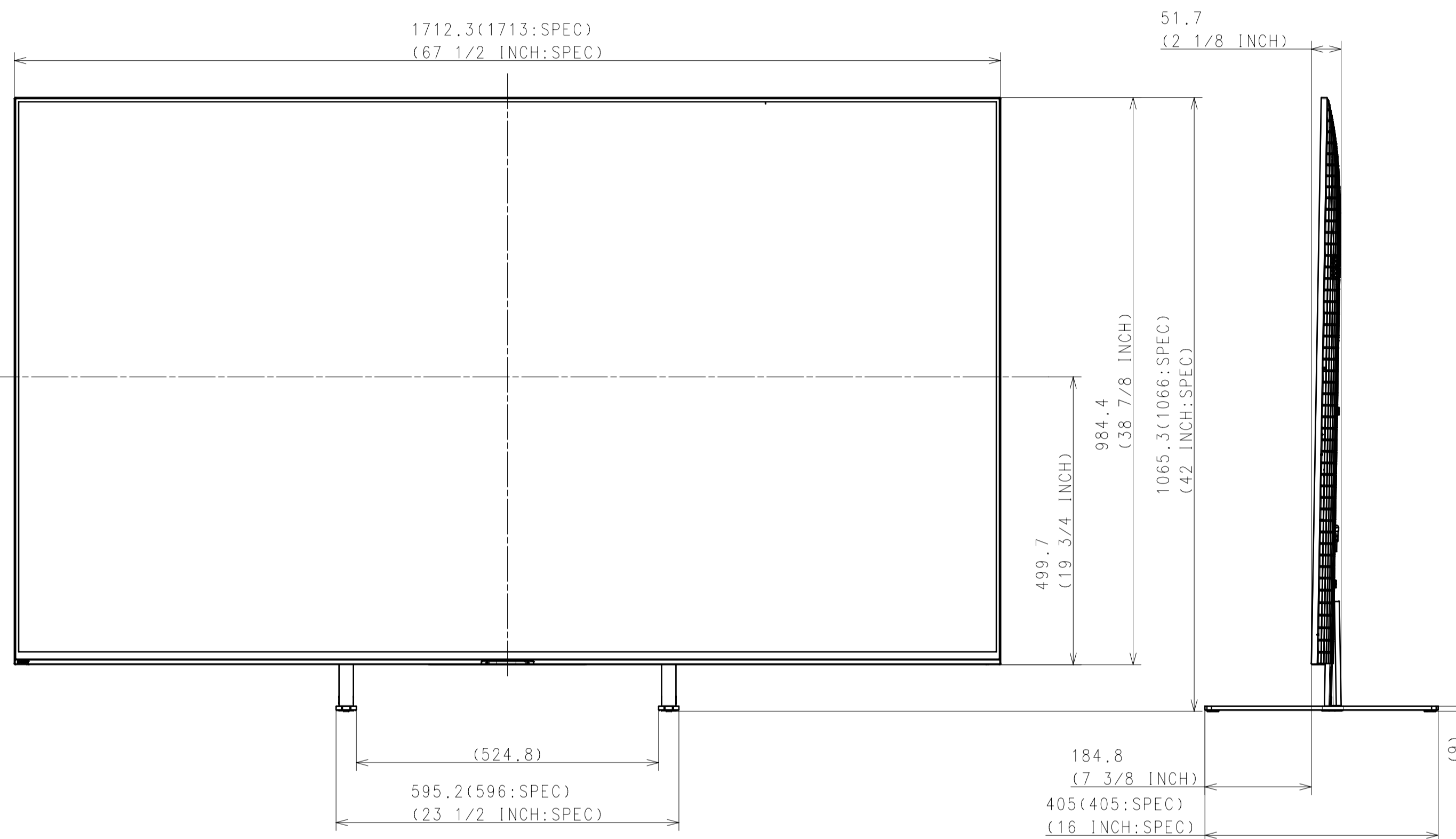
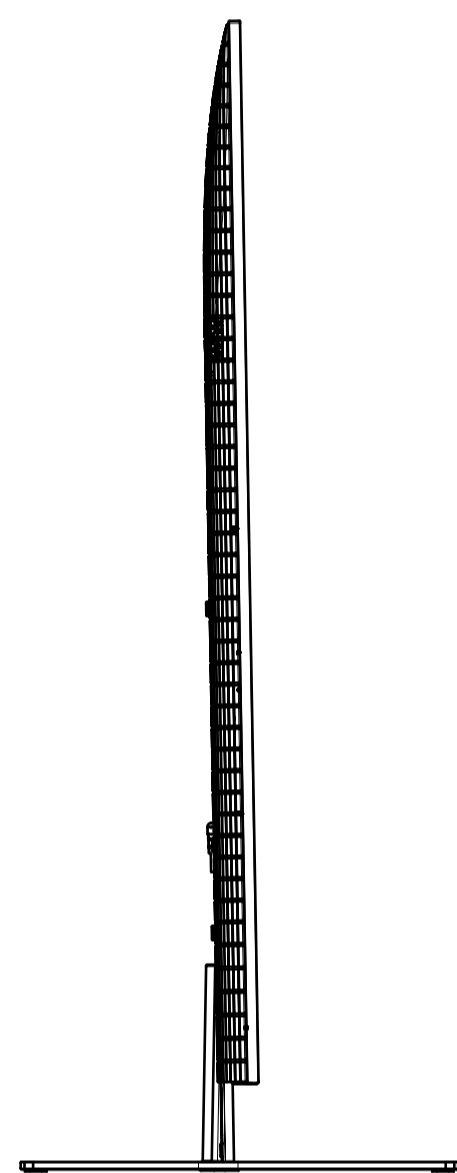
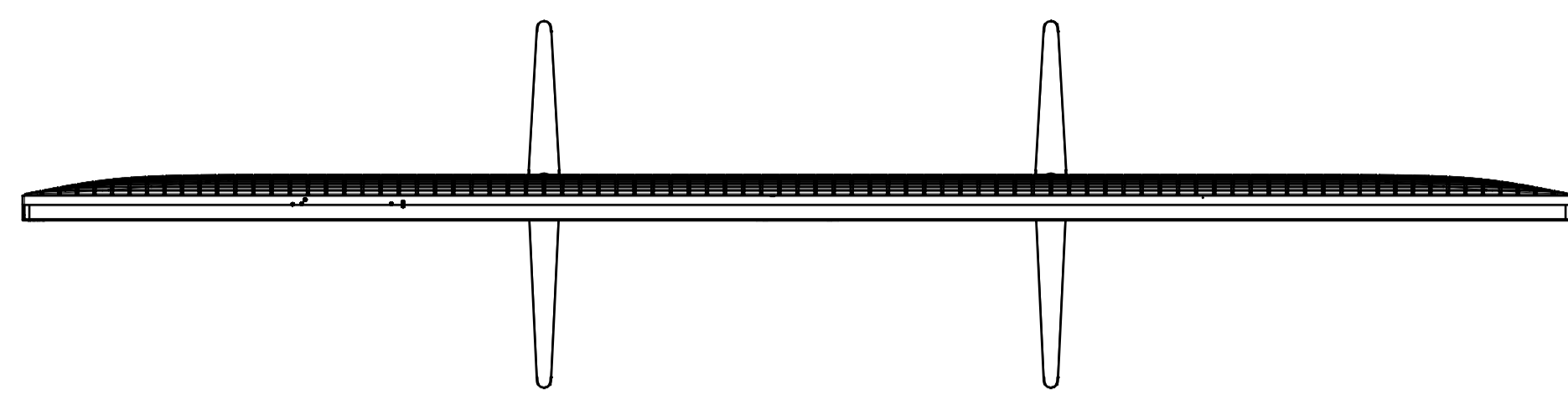
INSIDE



DESCRIPTION 1	LEGAL OWNER	SCALE
77 (XR80) EXTERIOR VIEW	Sony Corporation	1:7
DESCRIPTION 2	PART NO.	SHEET/PAGES
77 (XR80) EXTERIOR VIEW		2 / 8

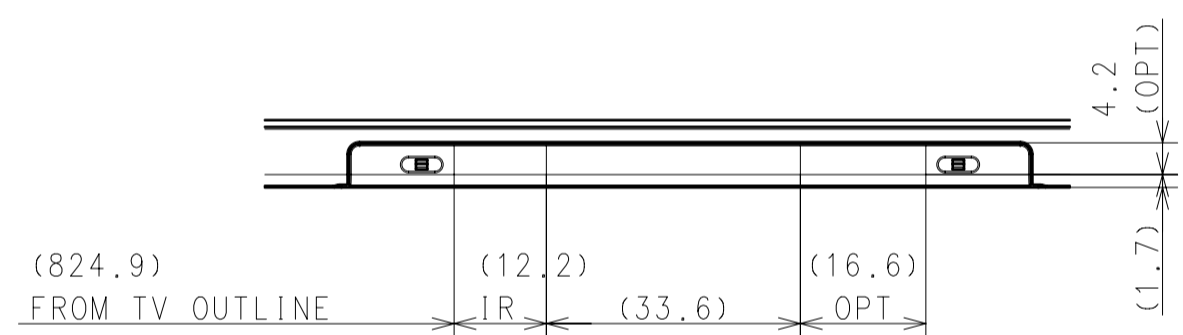
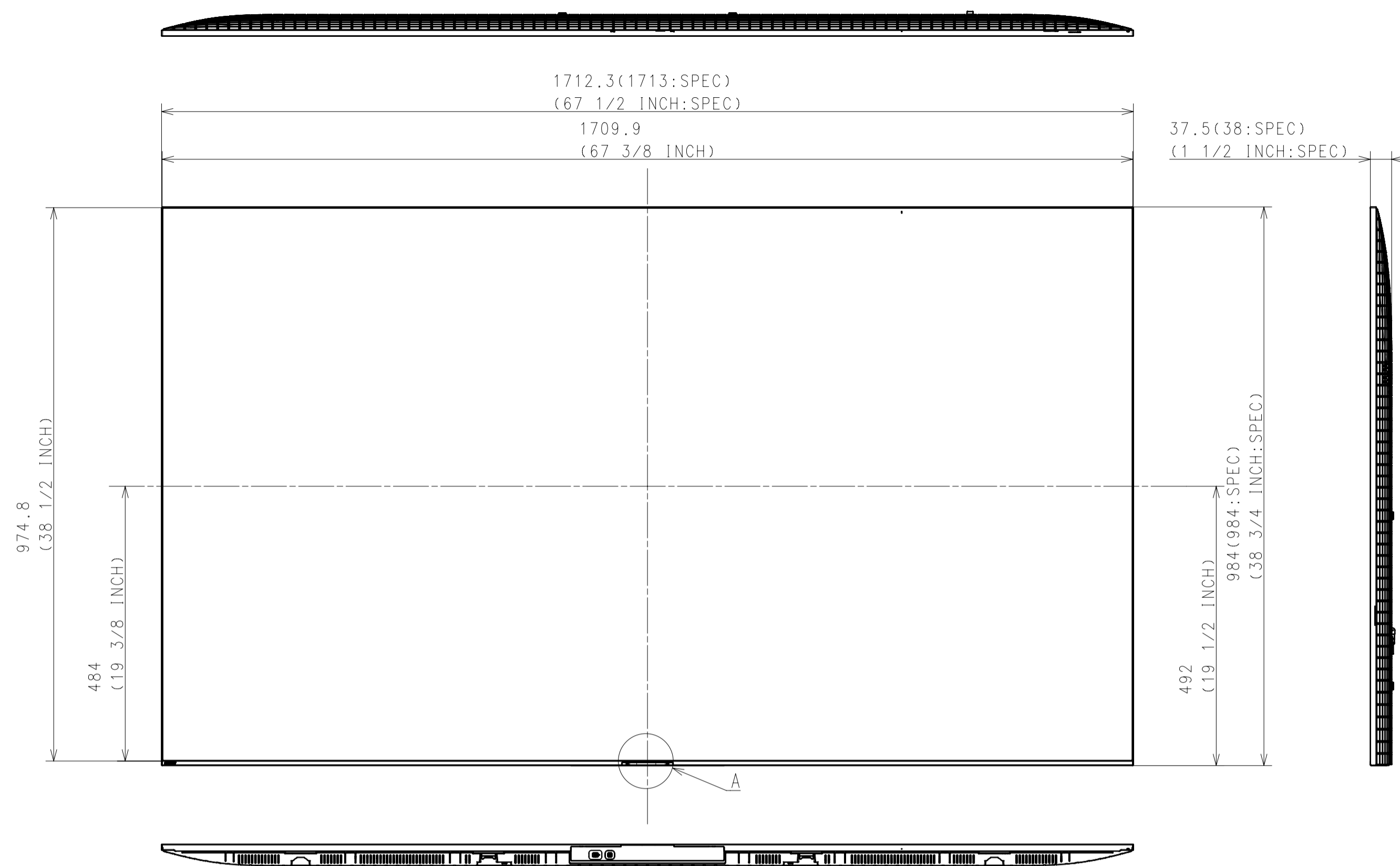
WITH STAND

INSIDE FOR SOUNDBAR

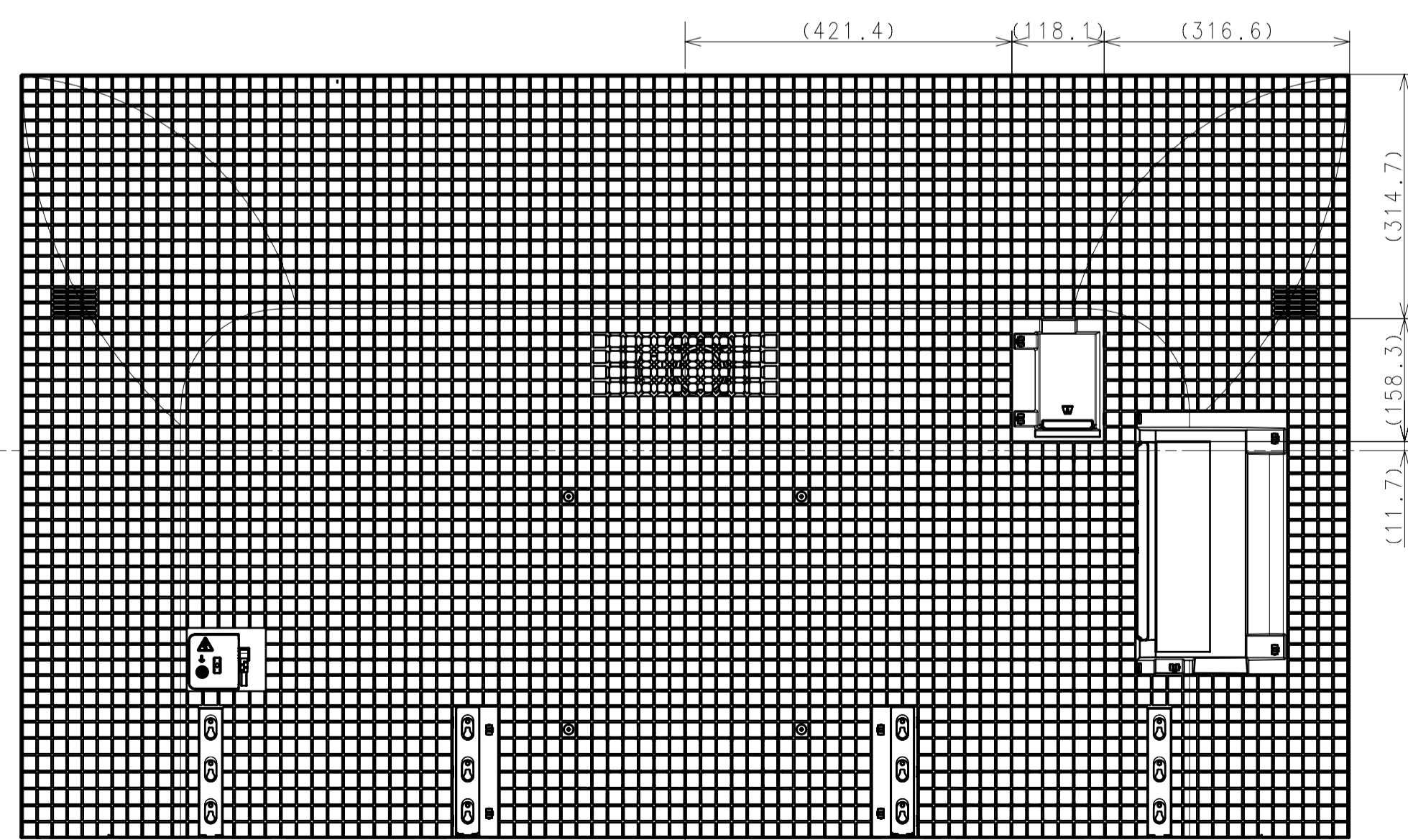


DESCRIPTION 1	LEGAL OWNER	SCALE
77 (XR80) EXTERIOR VIEW	Sony Corporation	1:7
DESCRIPTION 2	PART NO.	SHEET/PAGES
77 (XR80) EXTERIOR VIEW		3 / 8

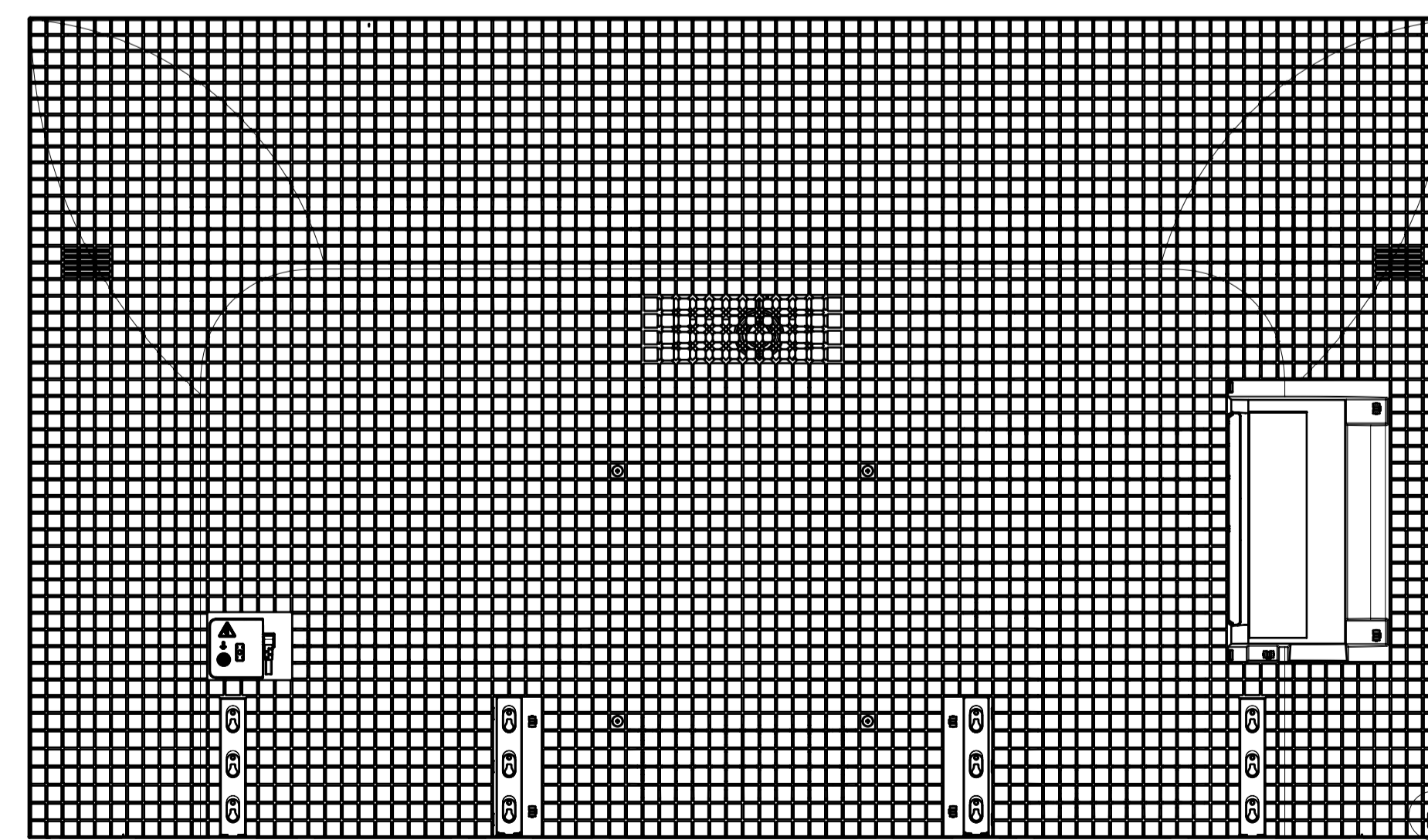
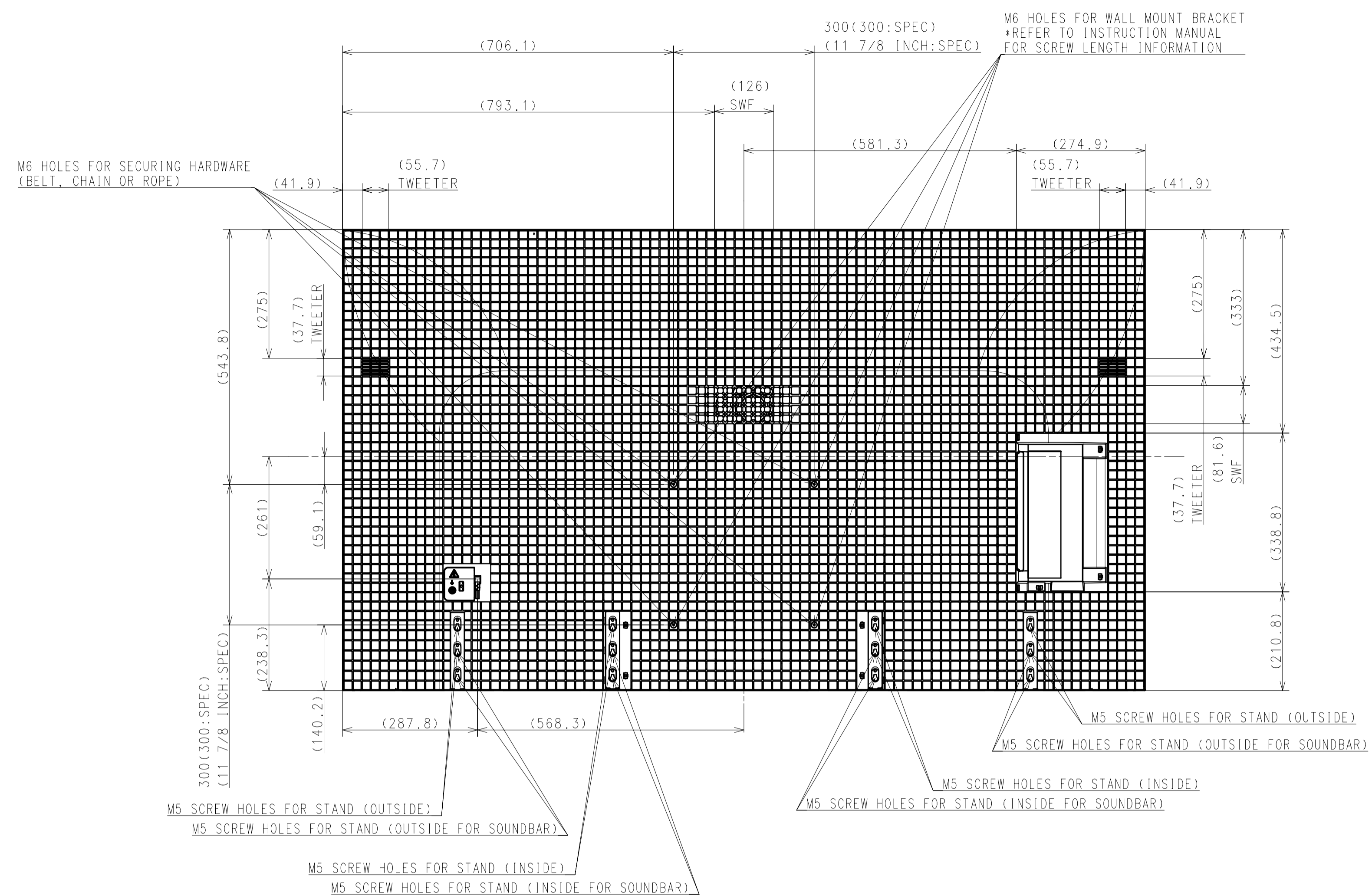
WITHOUT STAND



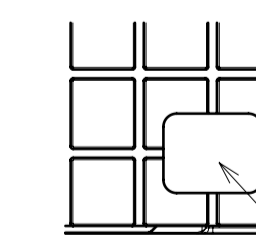
A
1:1



FOR EUROPE



FOR JAPAN, NORTH AMERICA, LATIN AMERICA, GENERAL AREA, CHINA



B
1:2

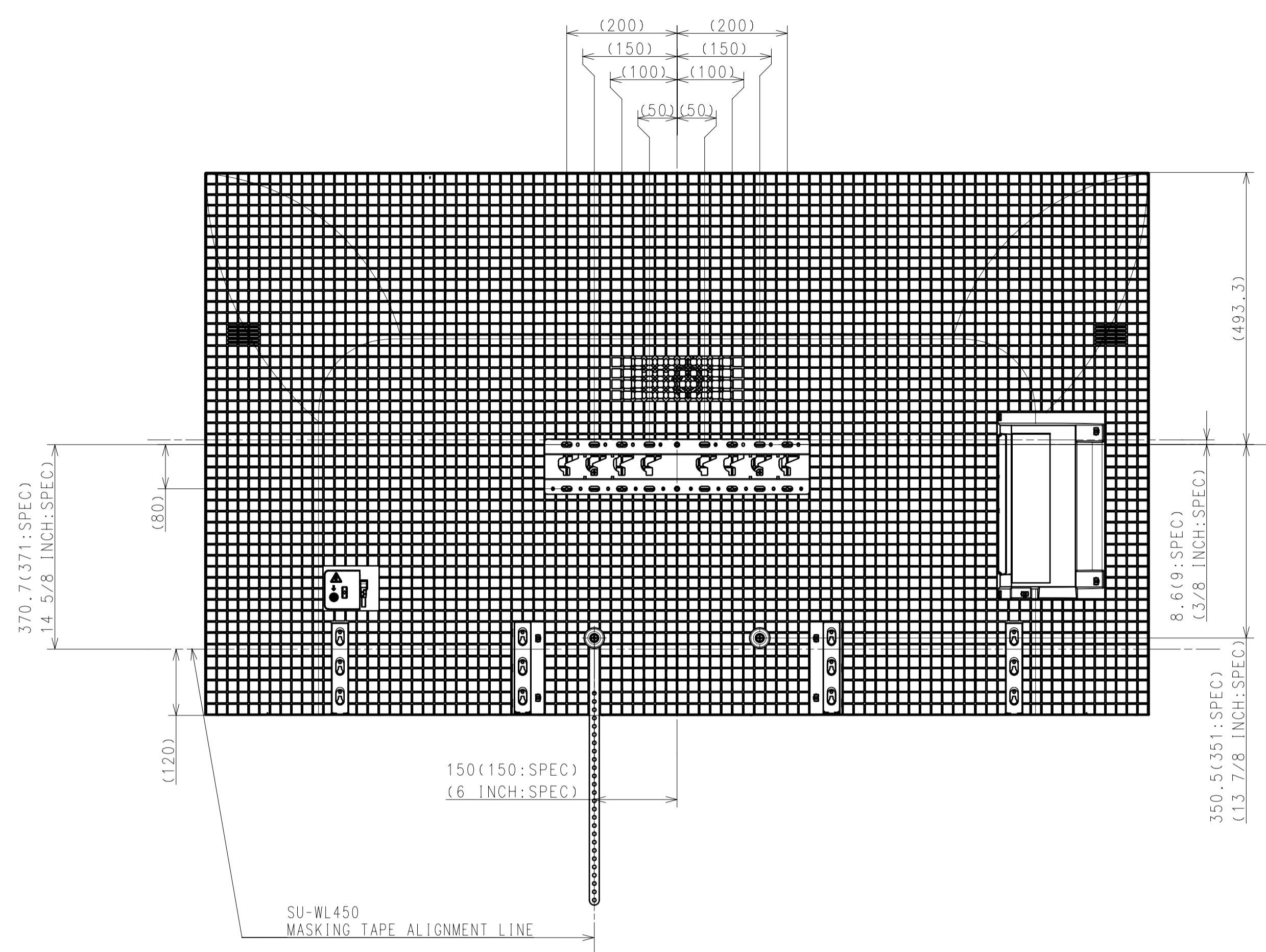
FOR NORTH AMERICA, LATIN AMERICA

DESCRIPTION 1	LEGAL OWNER	SCALE
77 (XR80) EXTERIOR VIEW	Sony Corporation	1:7
DESCRIPTION 2	PART NO.	SHEET/PAGES
77 (XR80) EXTERIOR VIEW		4 / 8

SU-WL450

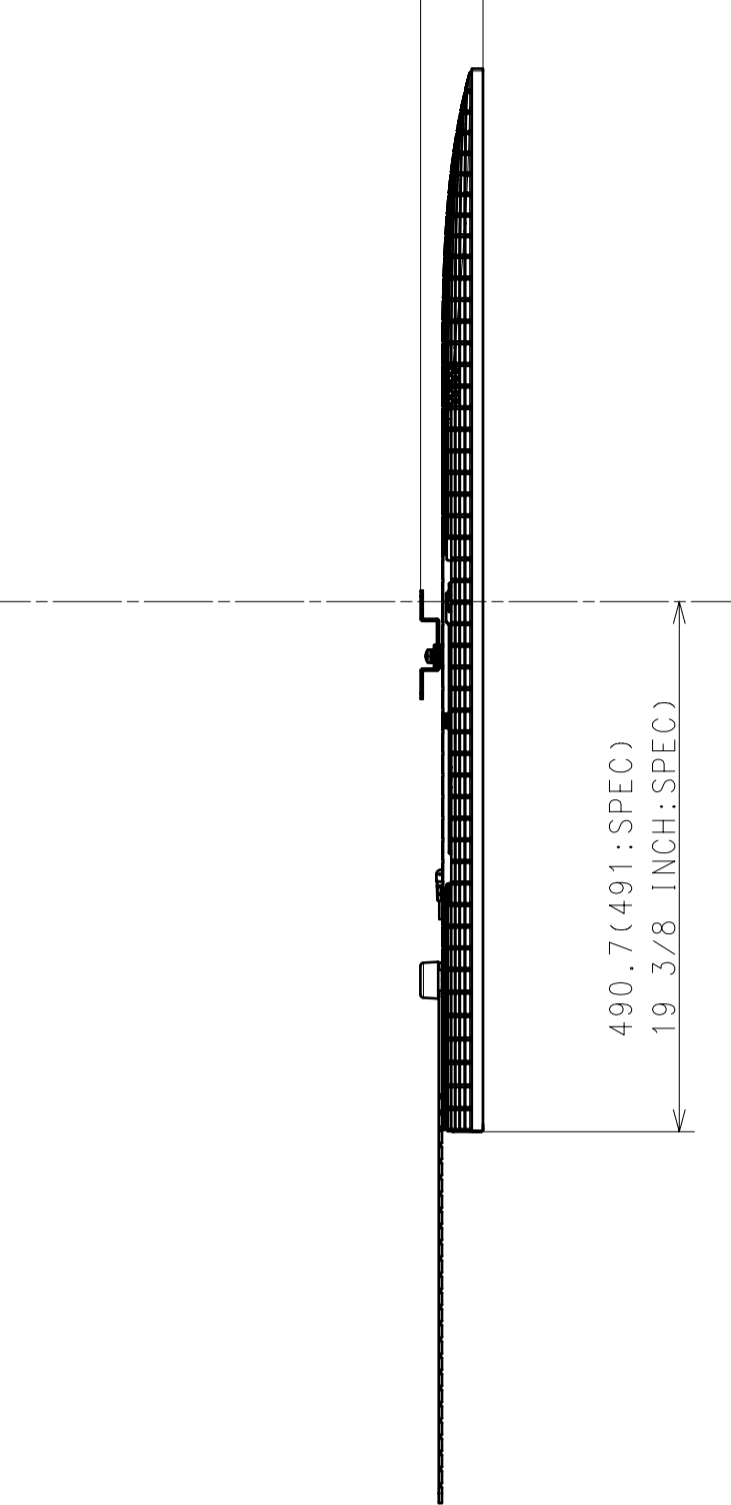
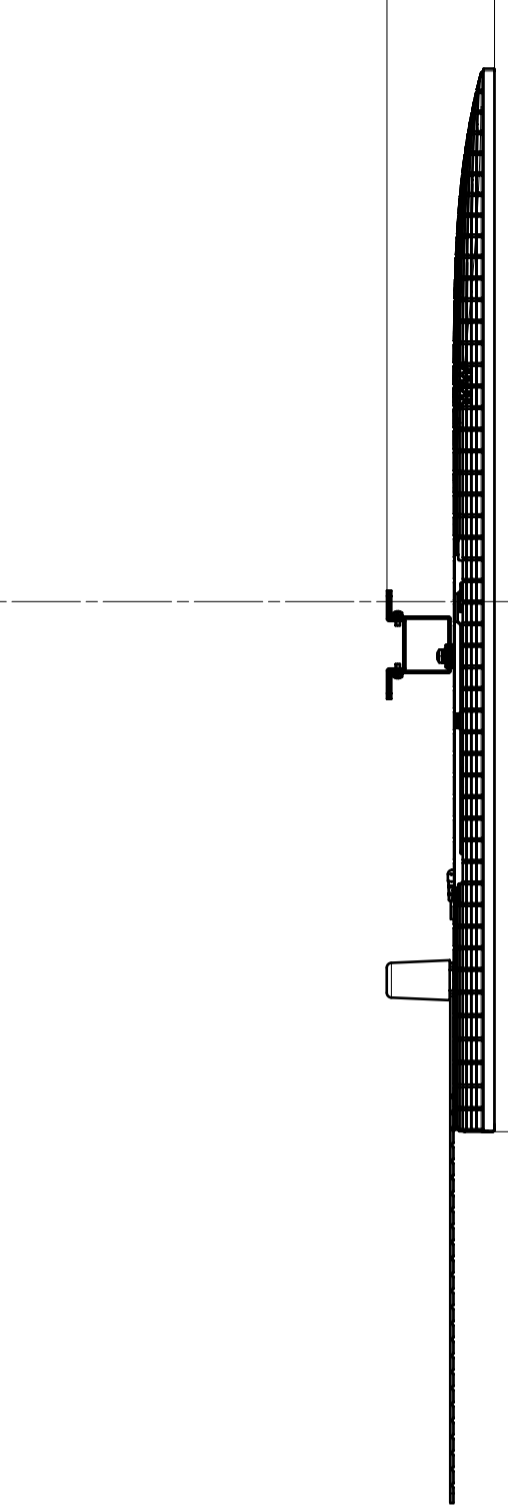
STANDARD

SLIM



99.6 (100:SPEC)
(4 INCH:SPEC)

57.8 (58:SPEC)
(2 3/8 INCH:SPEC)

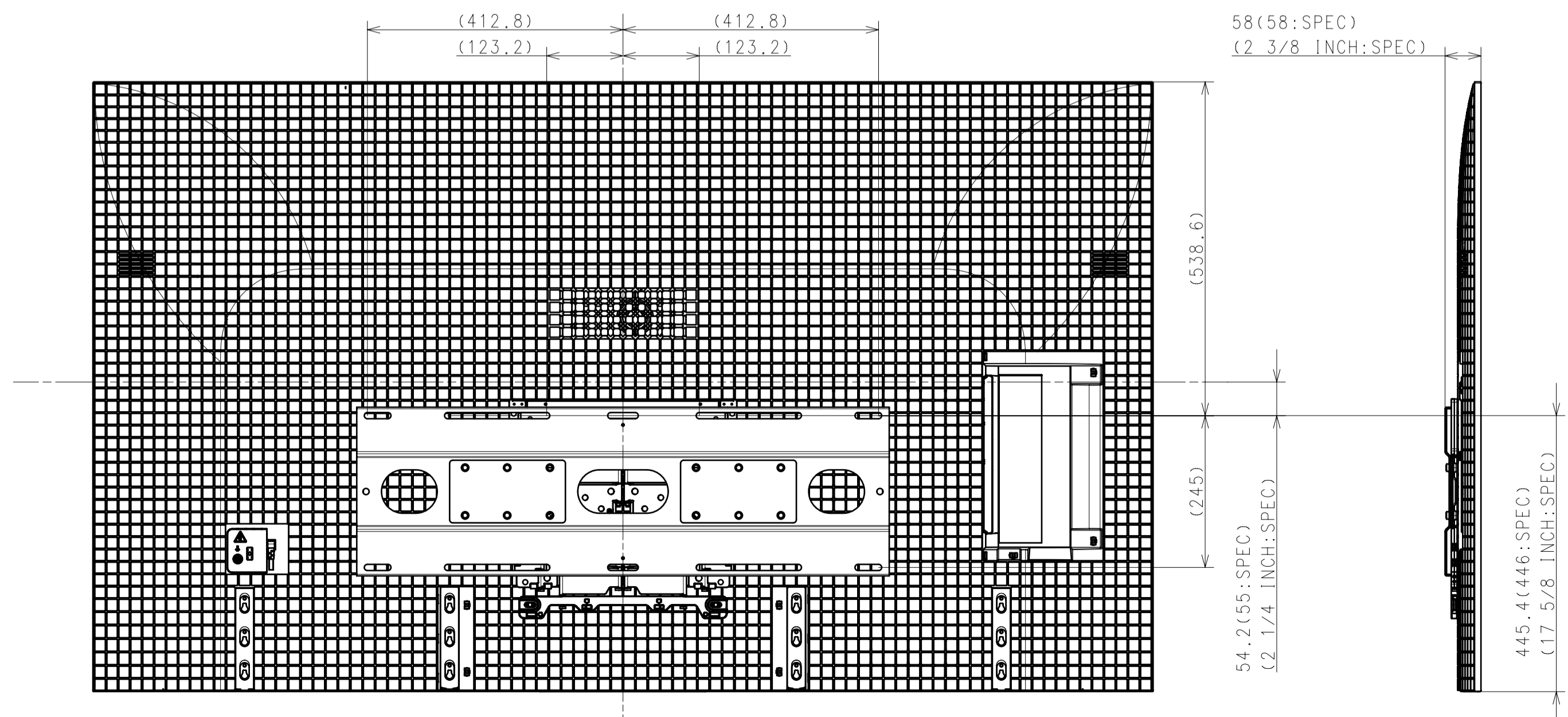
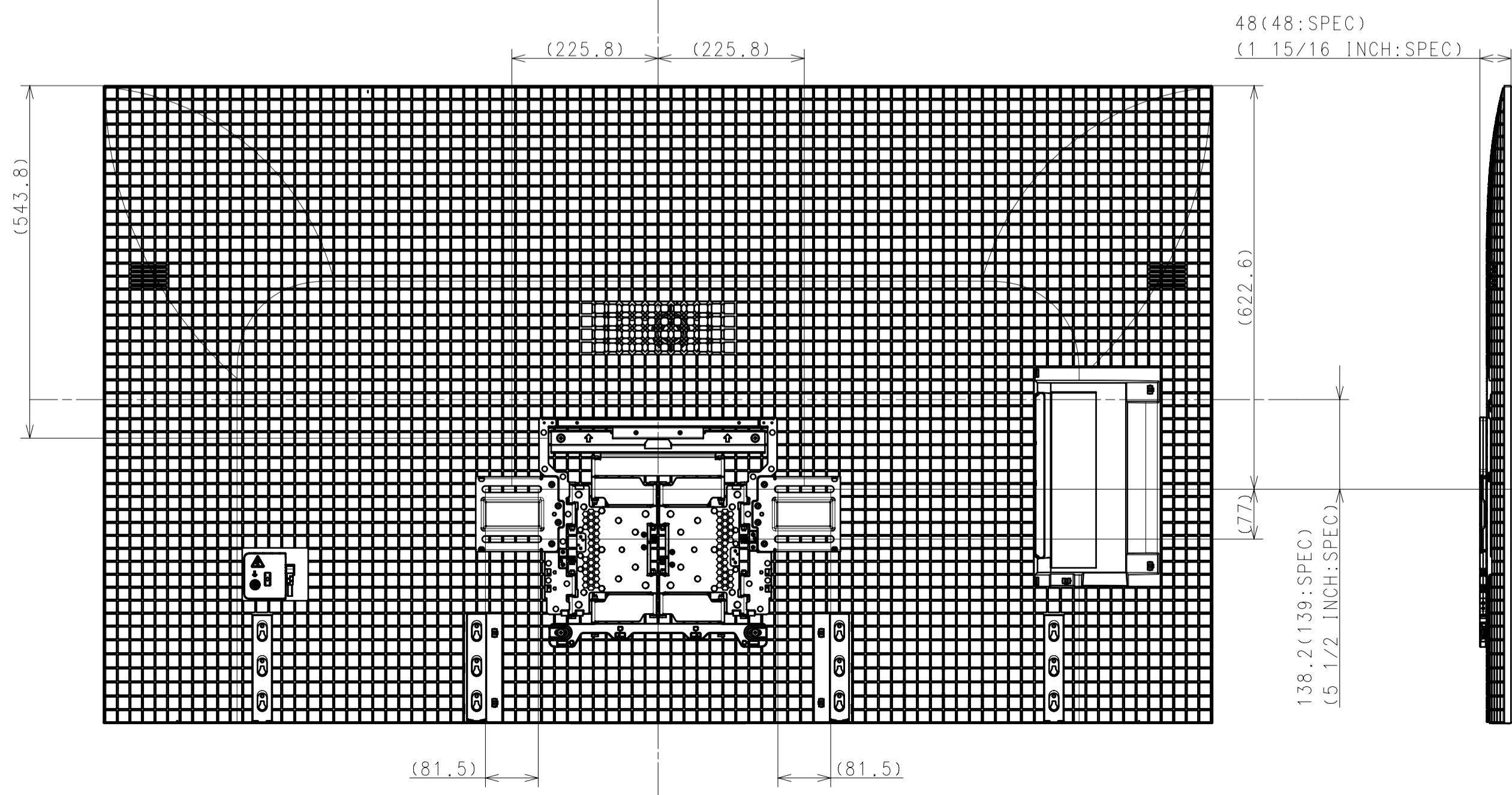
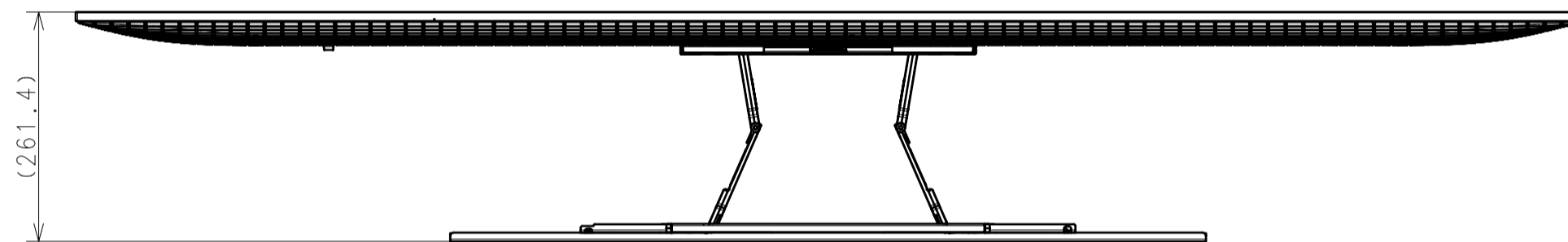
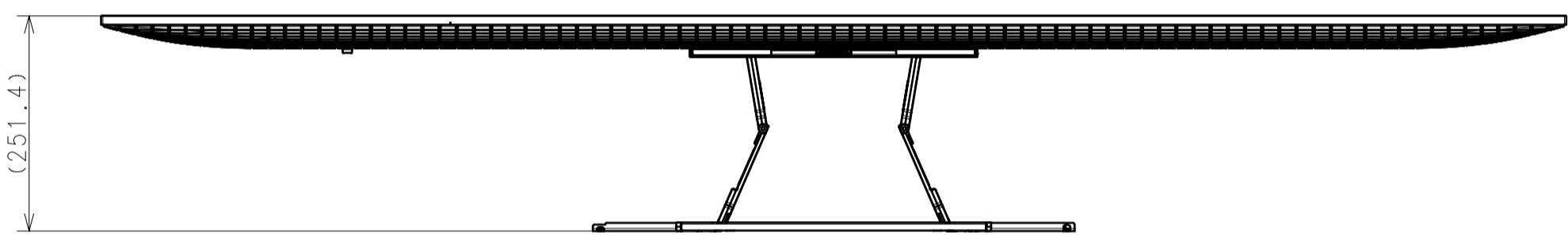
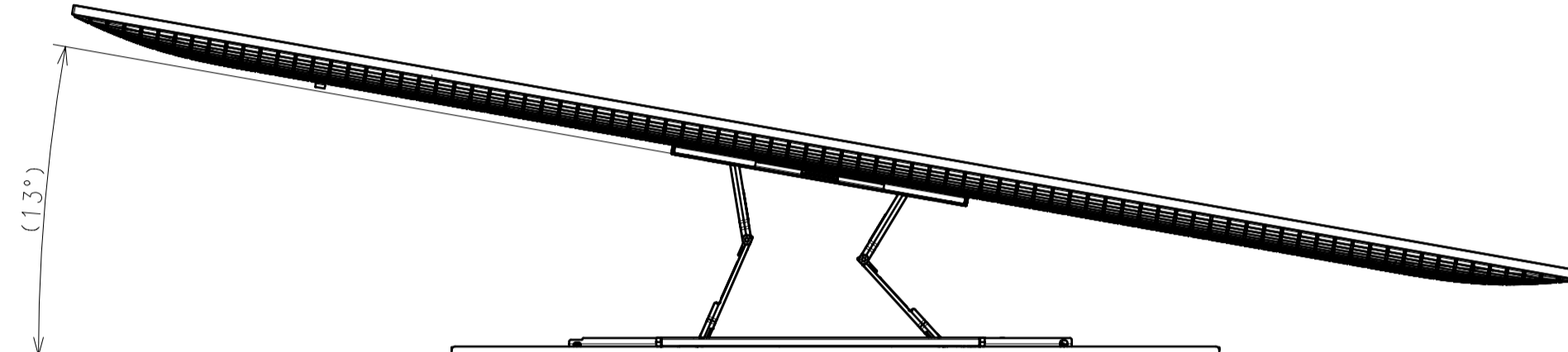
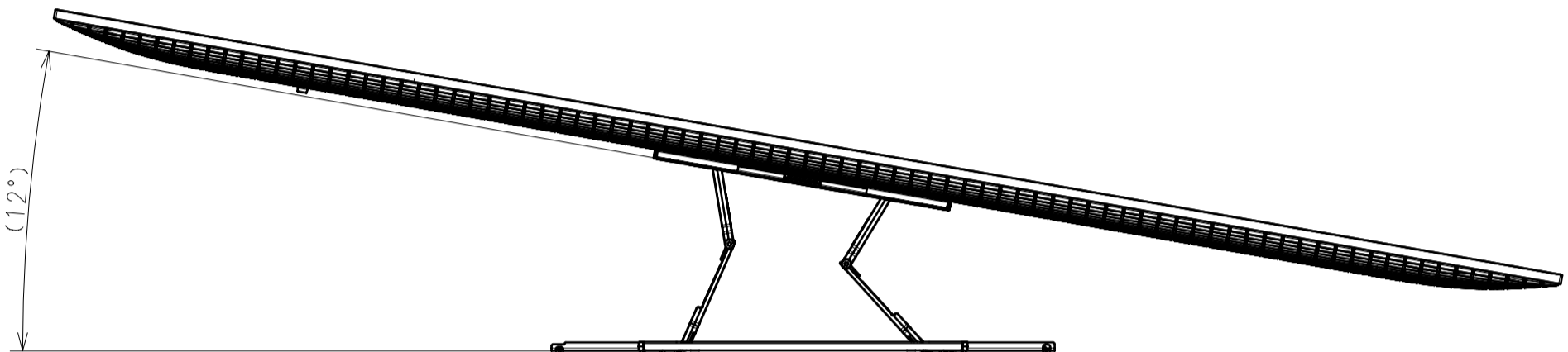
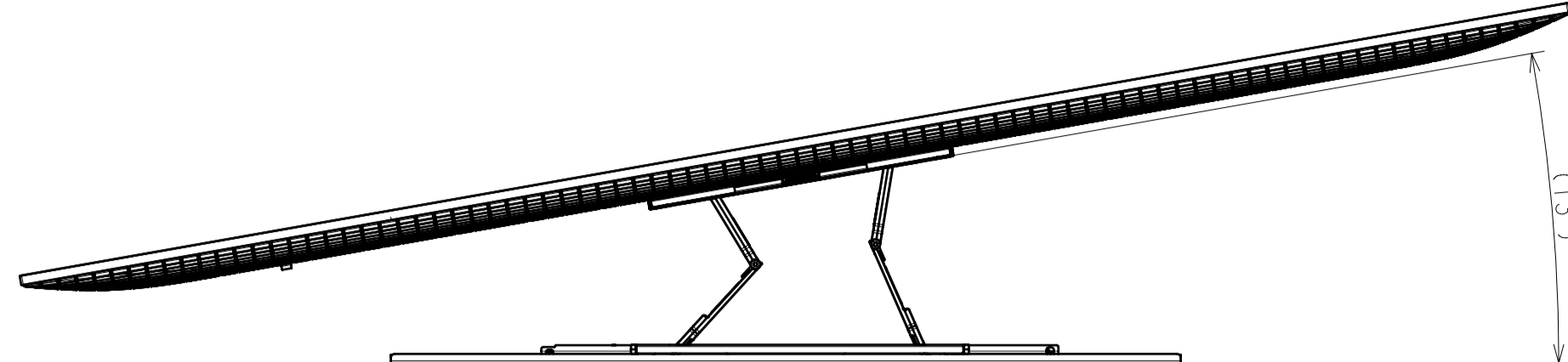
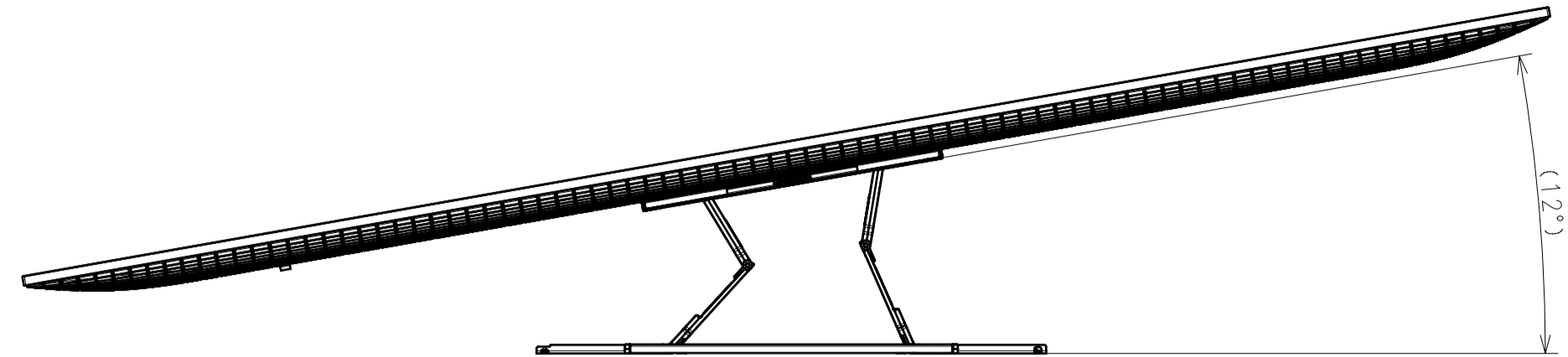


SONY STANDARD
DRAWING

DESCRIPTION 1	LEGAL OWNER	SCALE
77 (XR80) EXTERIOR VIEW	Sony Corporation	1:7
DESCRIPTION 2	PART NO.	SHEET/PAGES
77 (XR80) EXTERIOR VIEW		5 / 8

SU-WL850

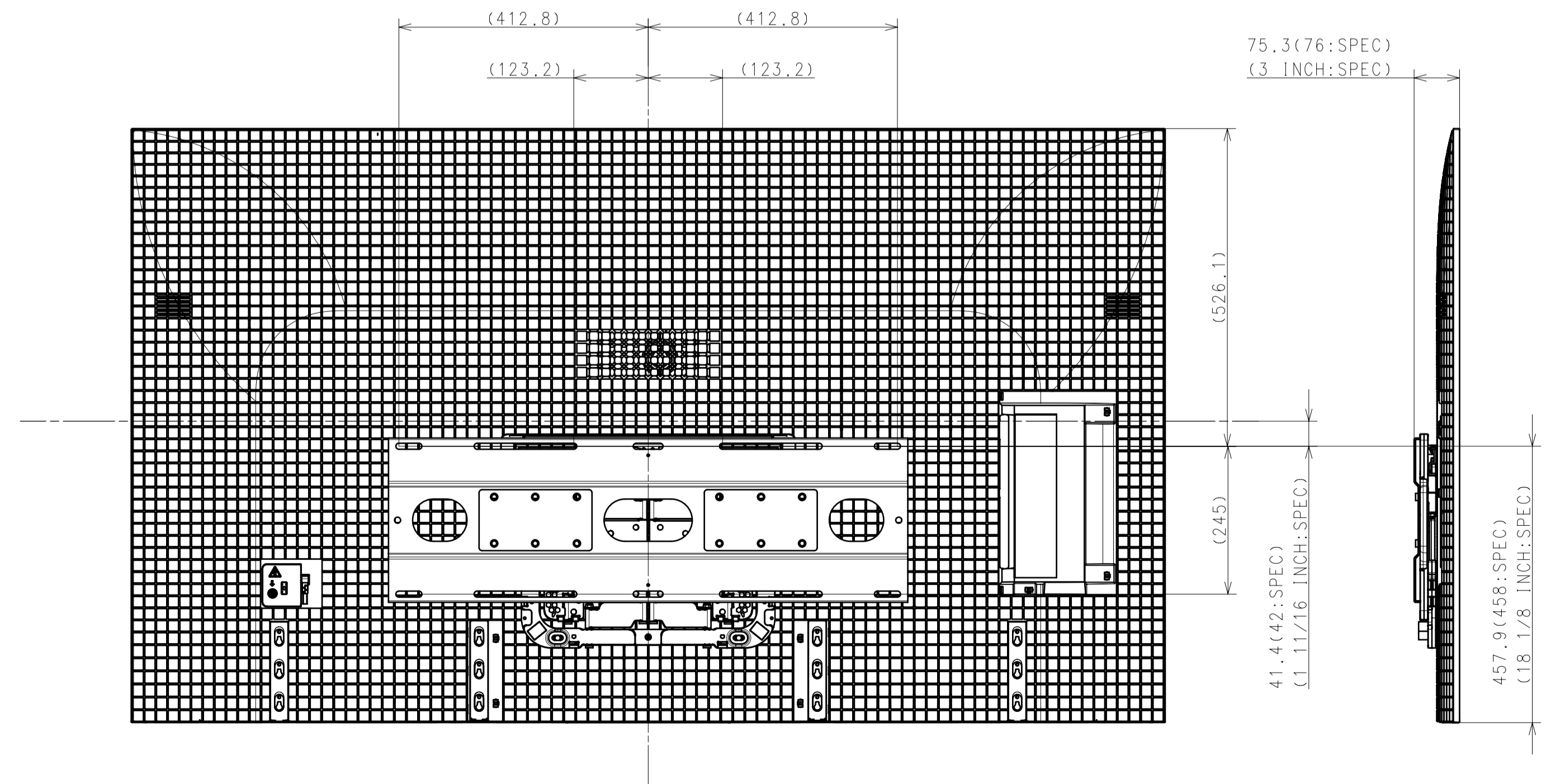
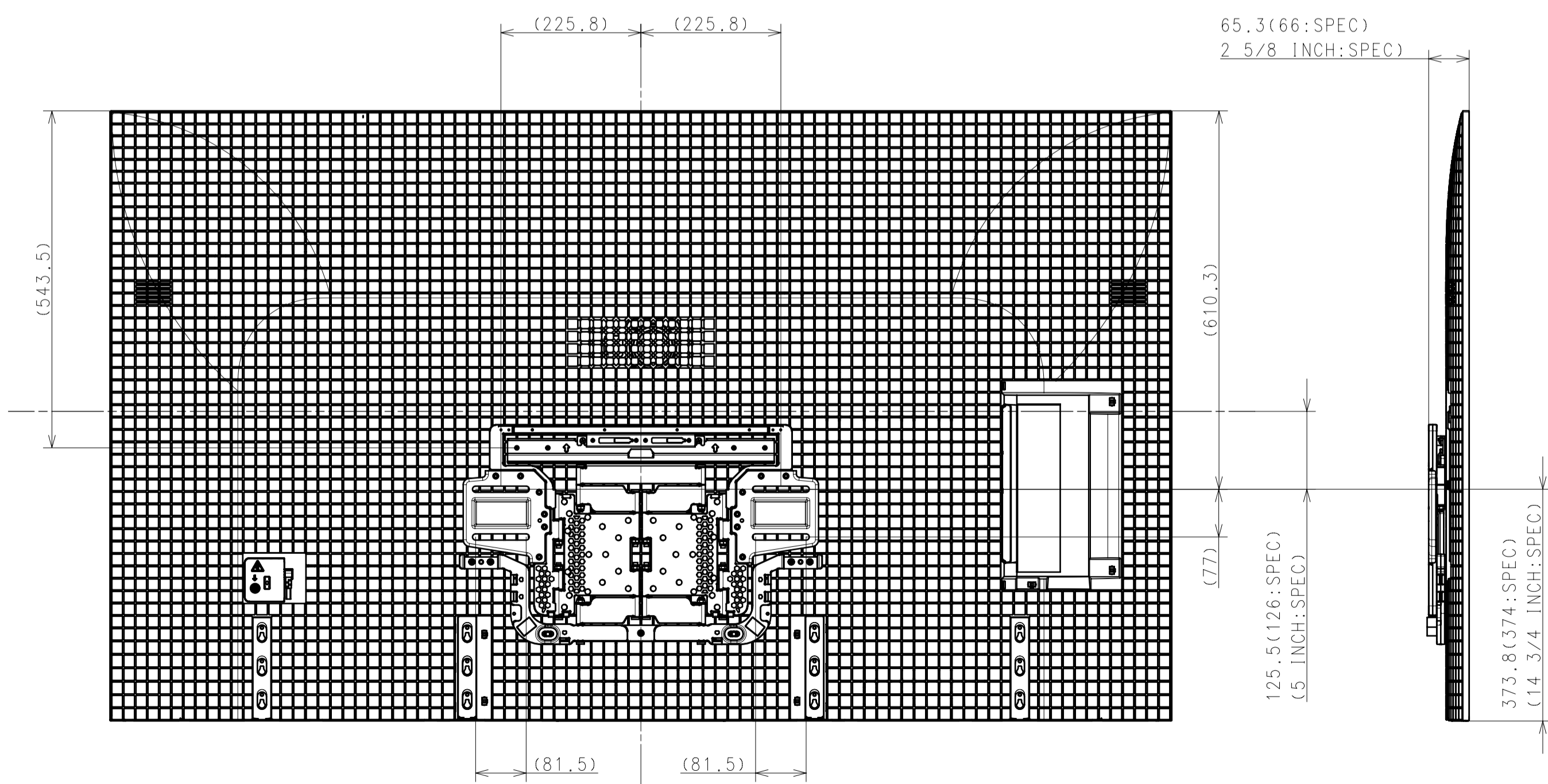
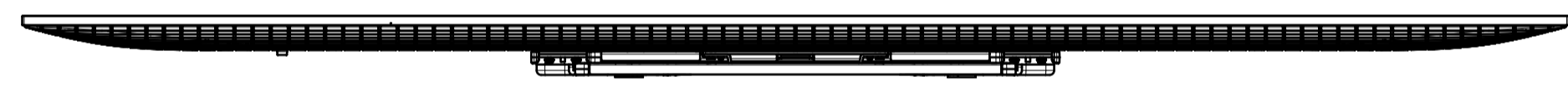
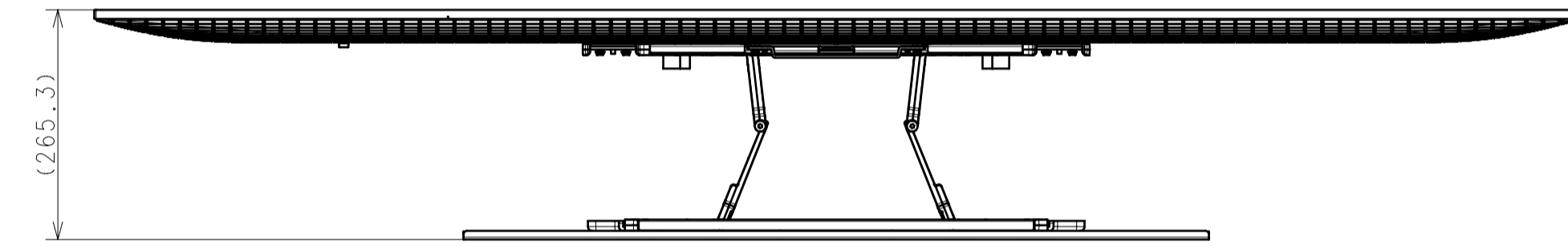
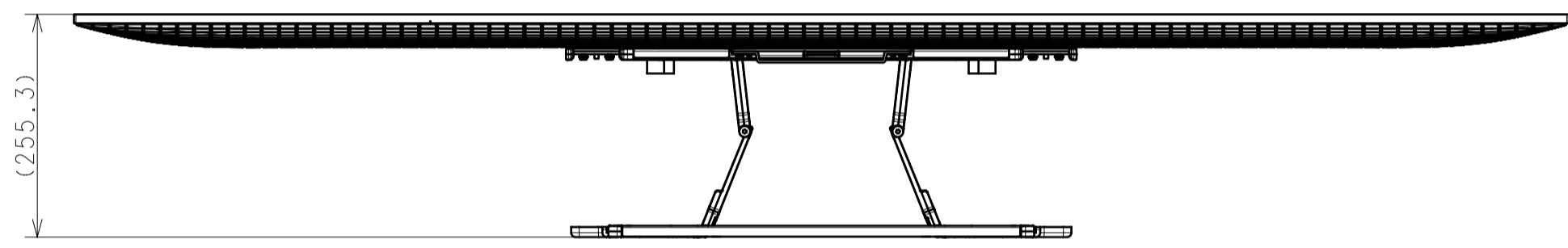
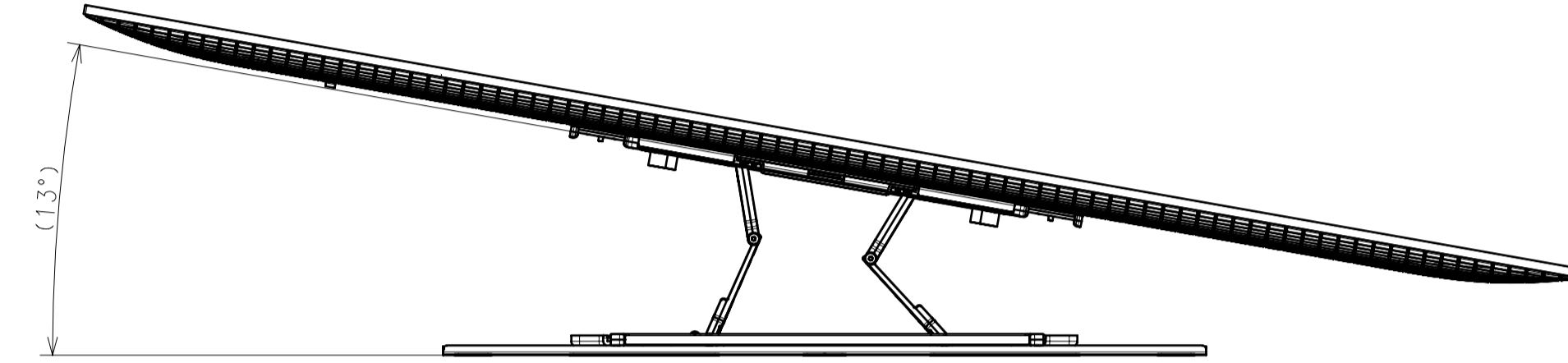
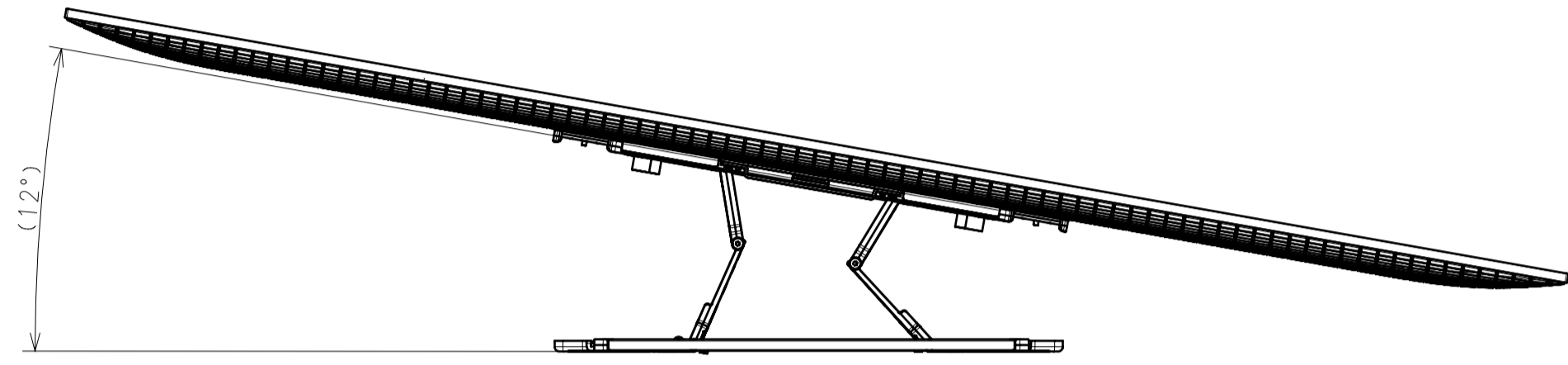
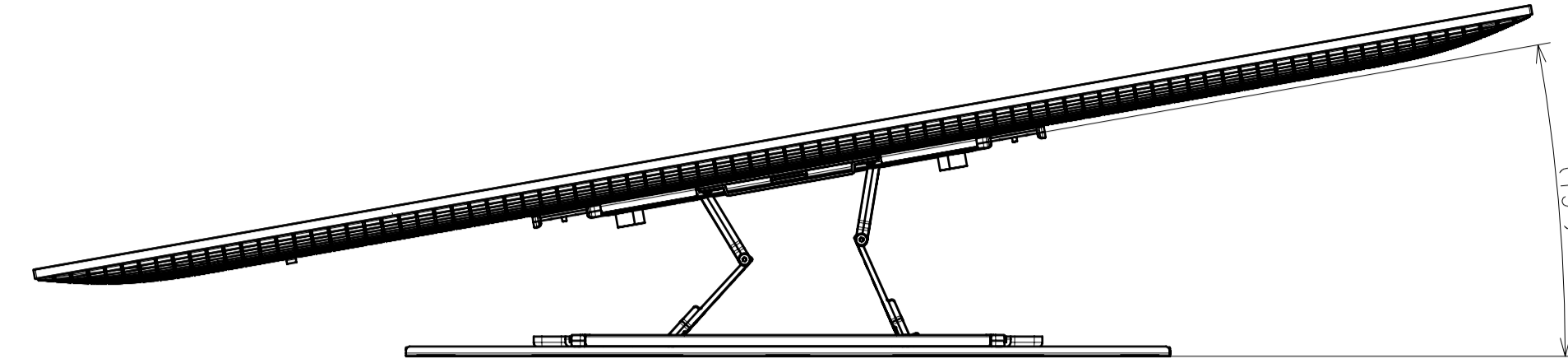
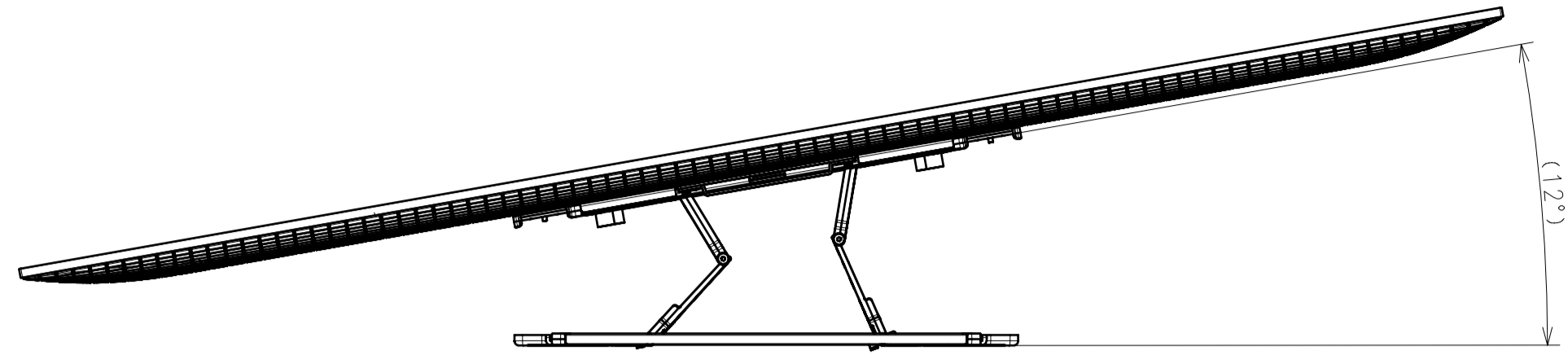
SU-WL855 WITH LATERAL SHAFT BRACKET



DESCRIPTION 1	77 (XR80) EXTERIOR VIEW	LEGAL OWNER	Sony Corporation	SCALE	1:7
DESCRIPTION 2	77 (XR80) EXTERIOR VIEW	PART NO.		SHEET/PAGES	6 / 8

SU-WL900 (STANDARD)

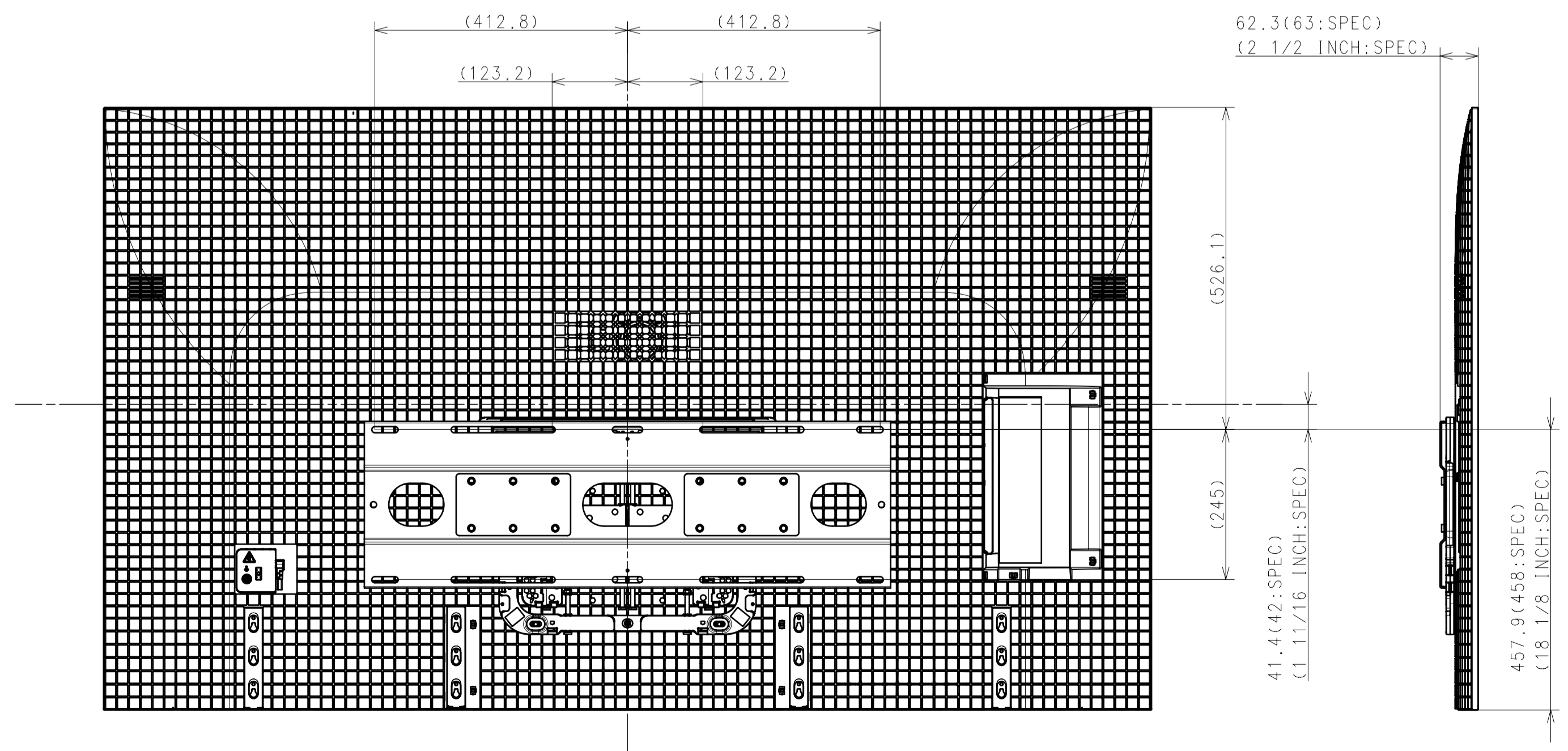
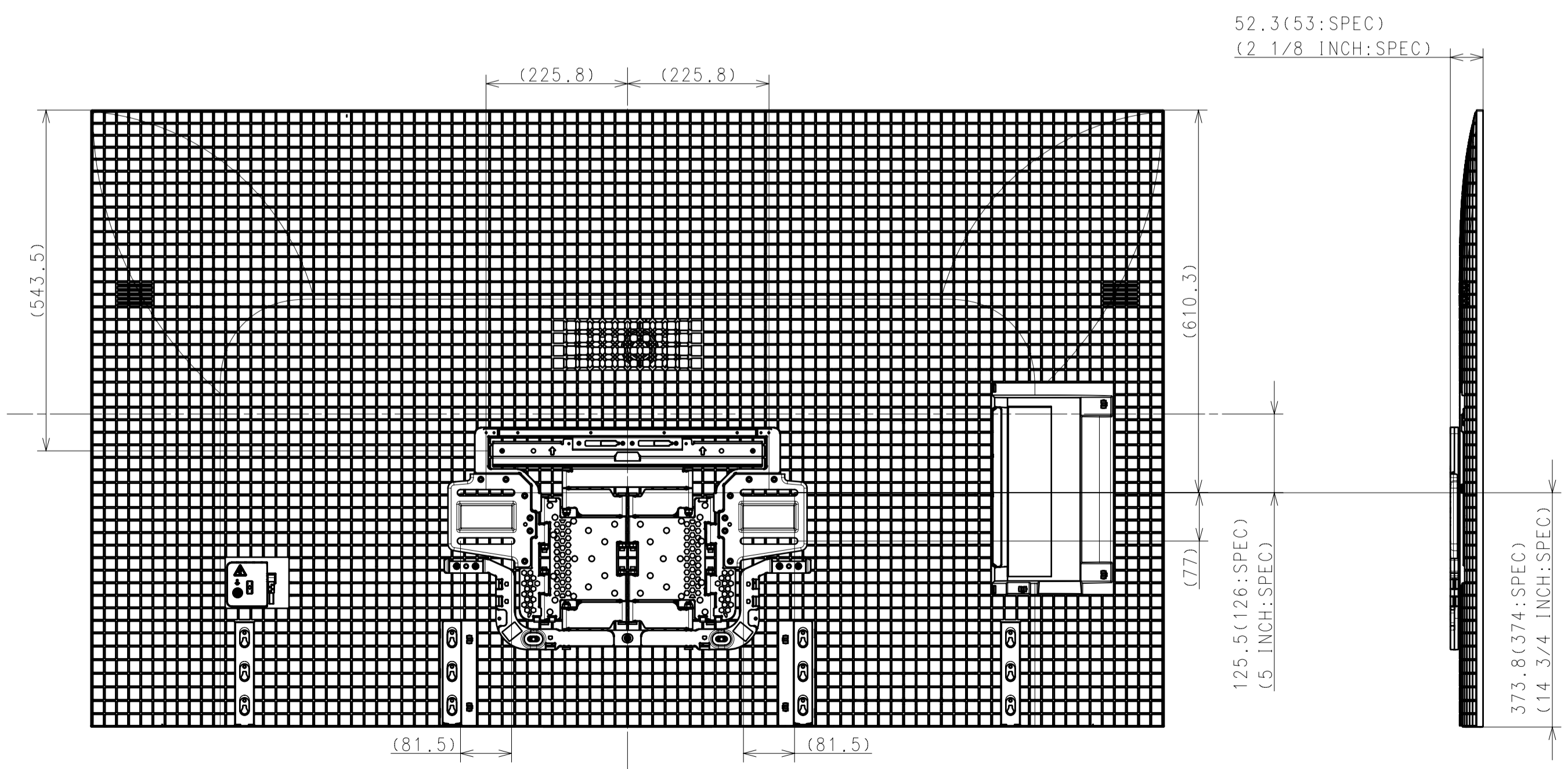
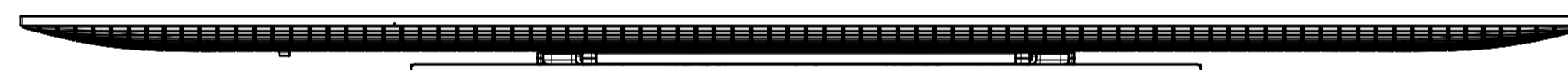
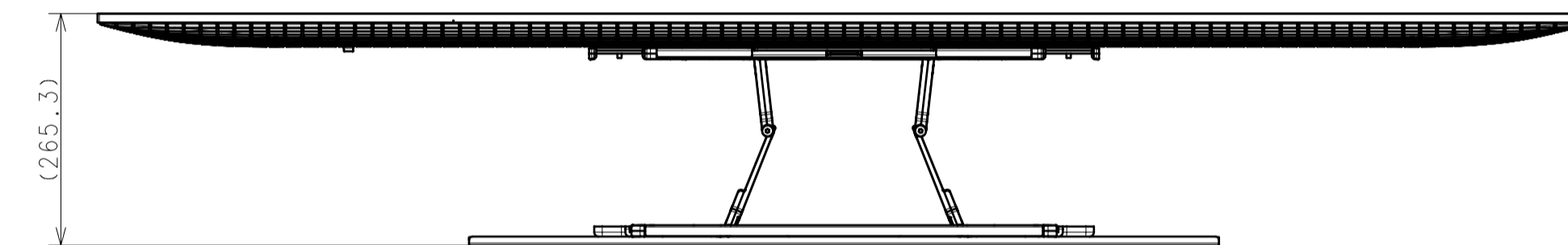
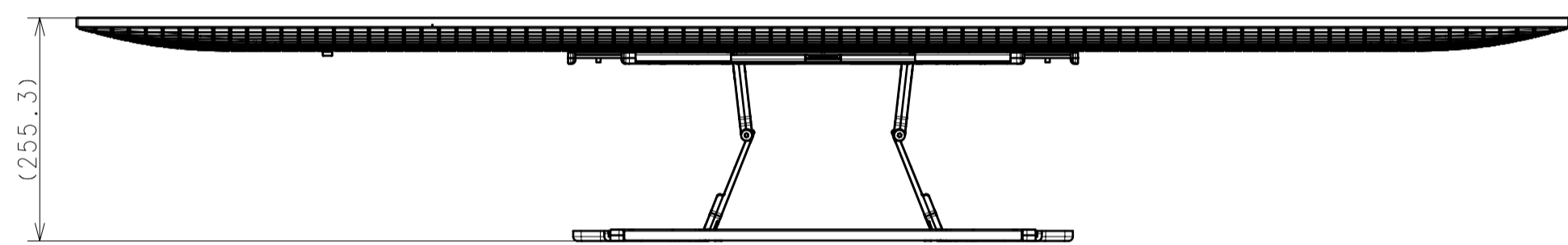
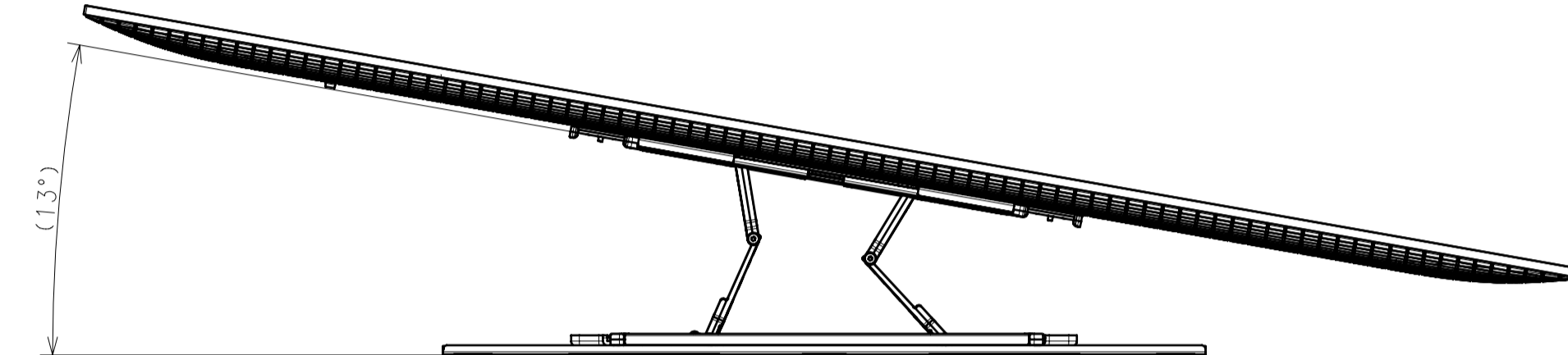
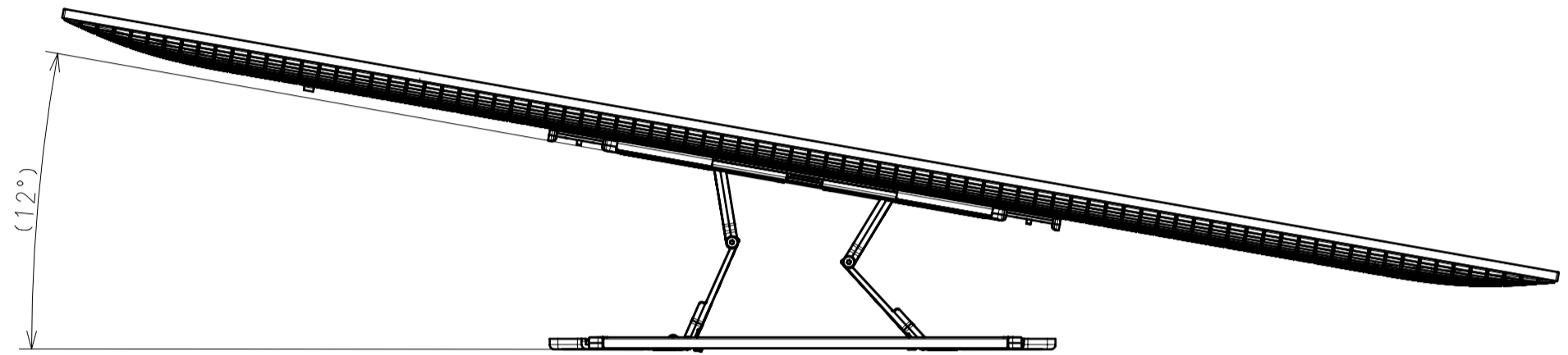
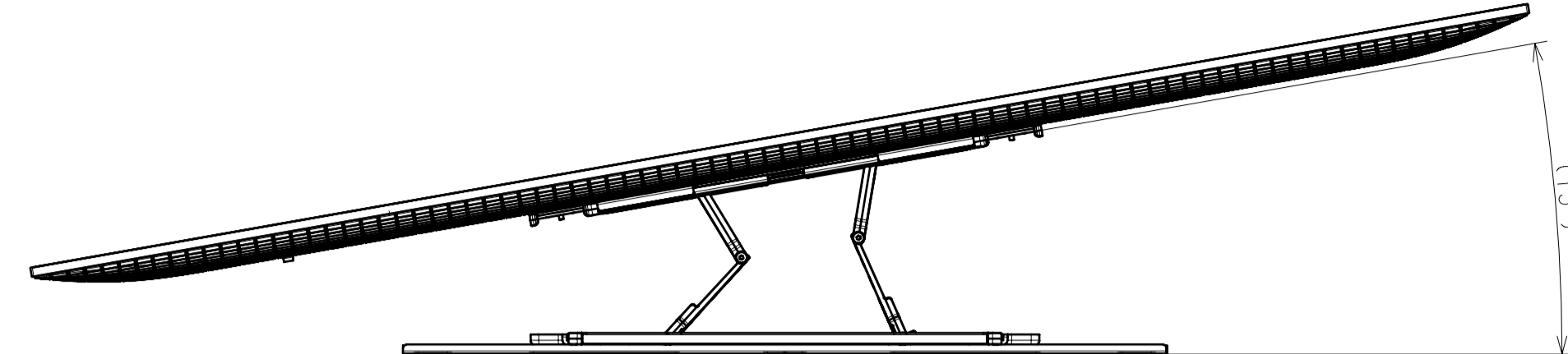
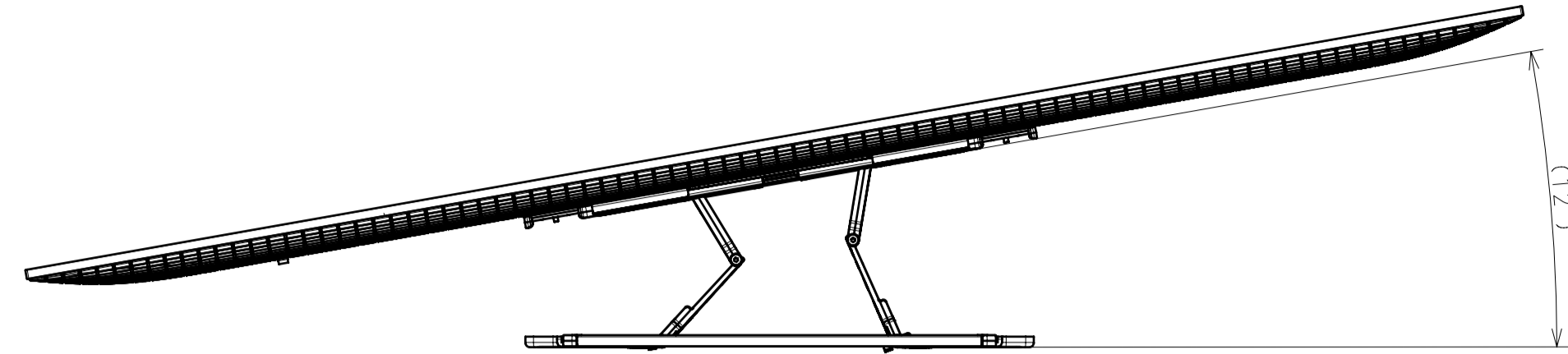
SU-WL905 (STANDARD) WITH LATERAL SHAFT BRACKET



DESCRIPTION 1	LEGAL OWNER	SCALE
77 (XR80) EXTERIOR VIEW	Sony Corporation	1:7
DESCRIPTION 2	PART NO.	SHEET/PAGES
77 (XR80) EXTERIOR VIEW		7 / 8

SU-WL900 (SLIM)

SU-WL905 (SLIM) WITH LATERAL SHAFT BRACKET



DESCRIPTION 1	77 (XR80) EXTERIOR VIEW	LEGAL OWNER	Sony Corporation	SCALE	1:7
DESCRIPTION 2	77 (XR80) EXTERIOR VIEW	PART NO.		SHEET/PAGES	8 / 8