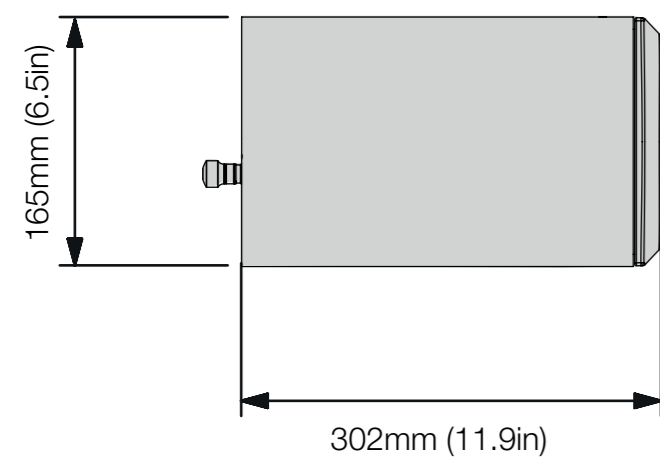


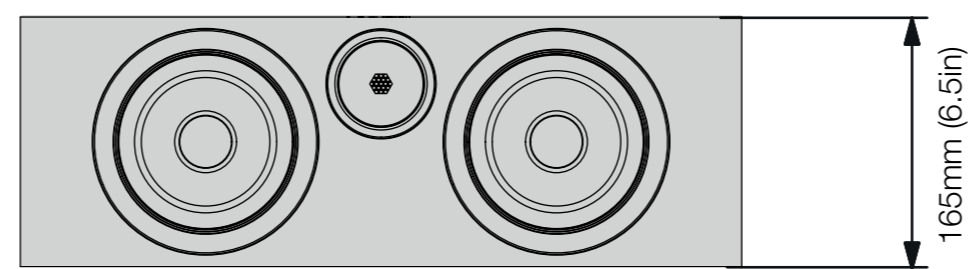
# Bowers & Wilkins

# HTM72 S3

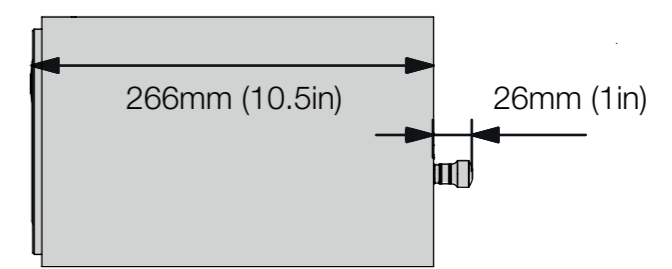
SIDE (WITH GRILLE)



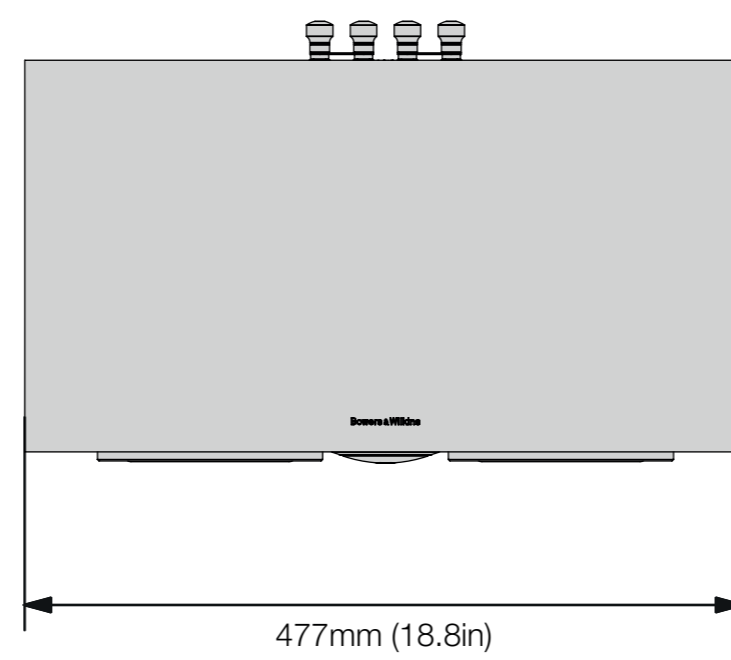
FRONT



SIDE



TOP



BACK

