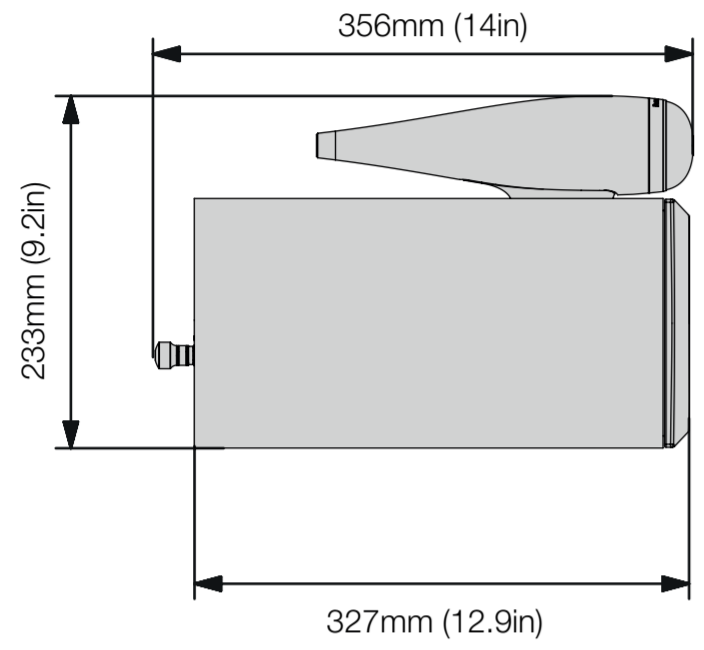
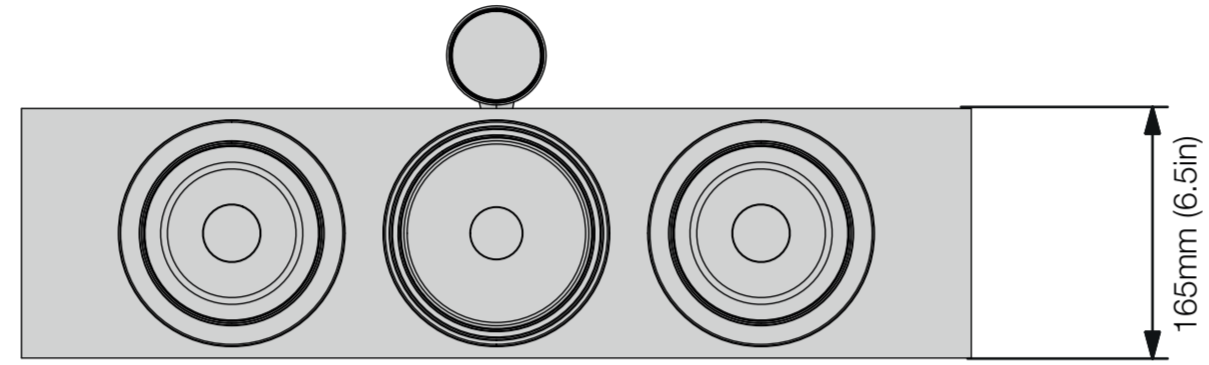


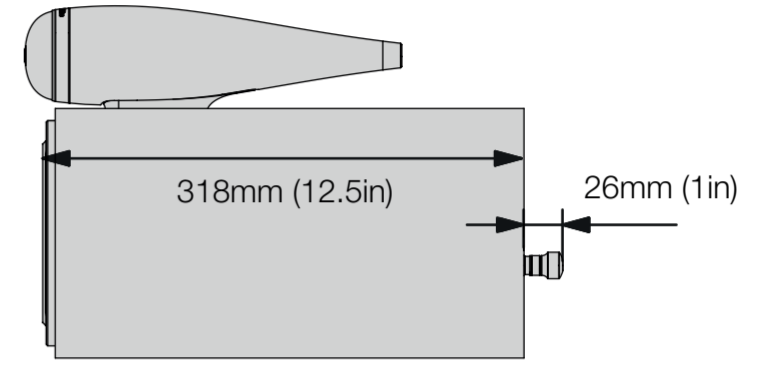
SIDE (WITH GRILLE)



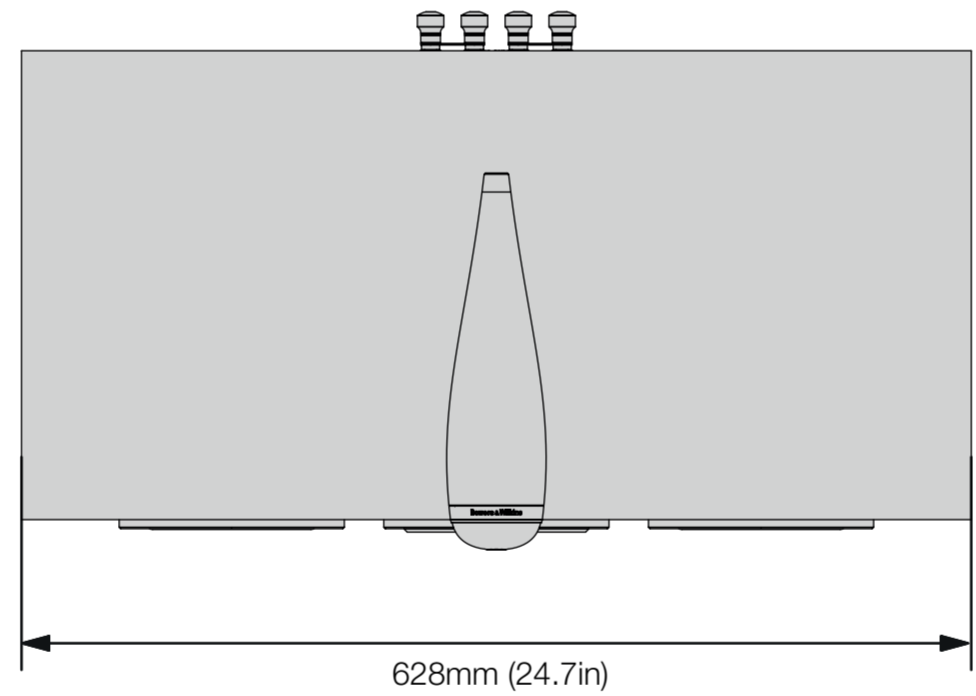
FRONT



SIDE



TOP



BACK

