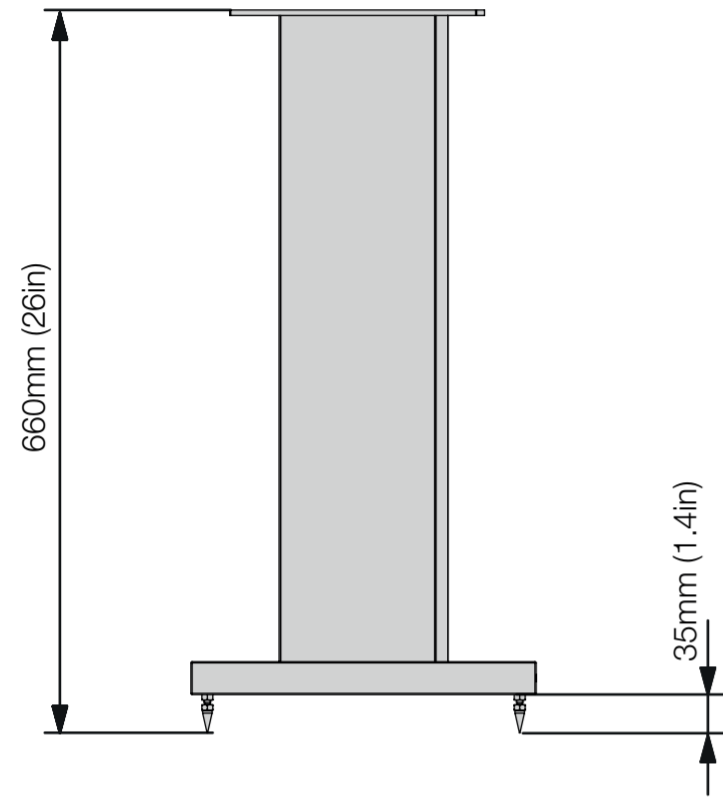
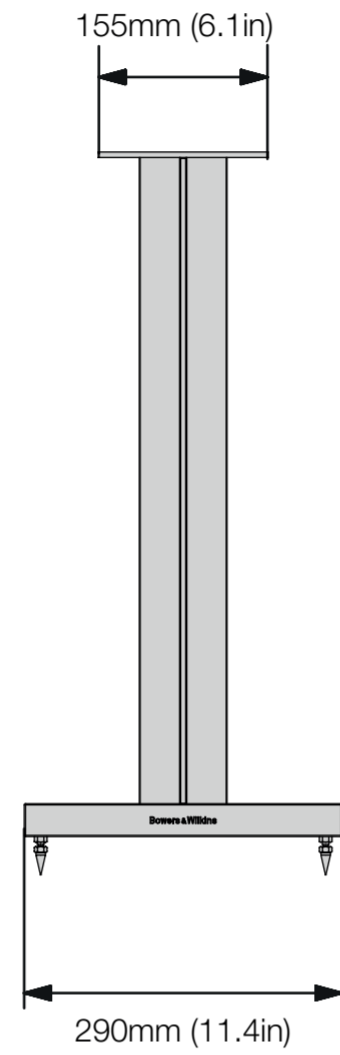


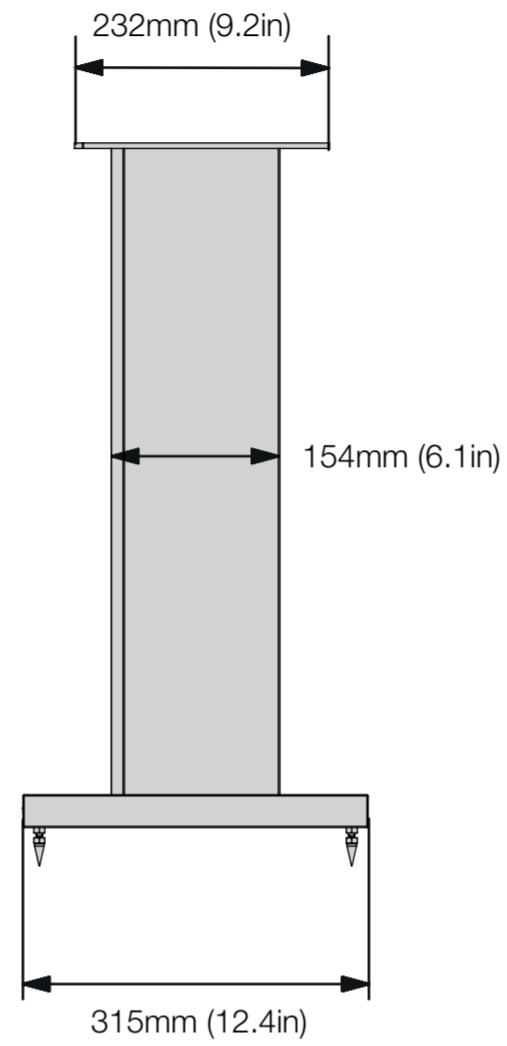
SIDE



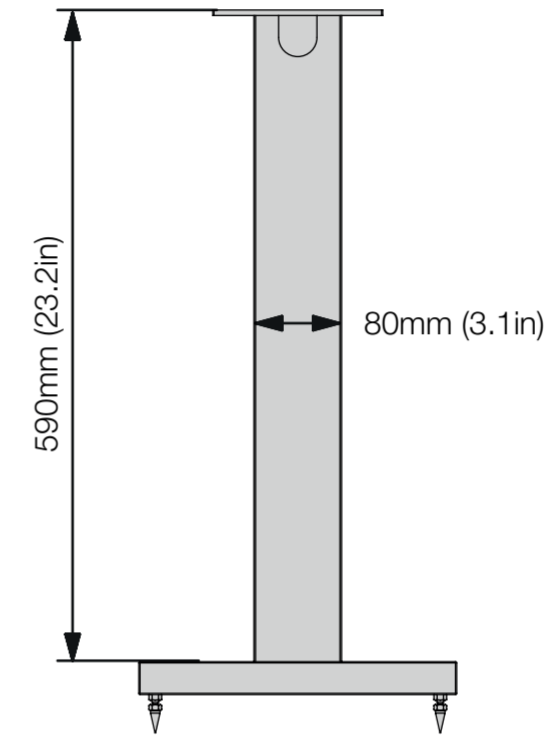
FRONT



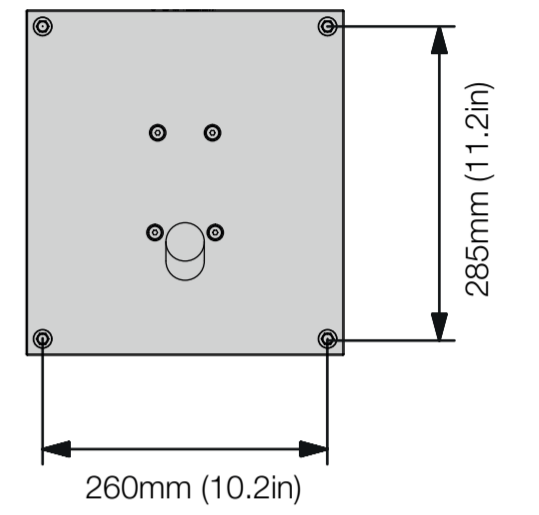
SIDE



BACK

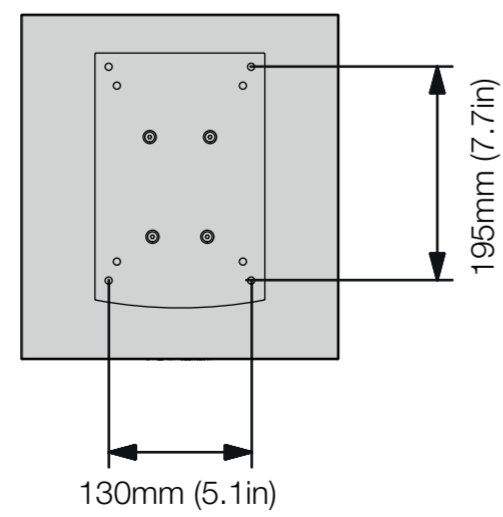


BASE
SCREW FOOT ALIGNMENT



TOP PLATE
SCREW ALIGNMENT FOR CABINET

705 S3 & 706 S3



707 S3

