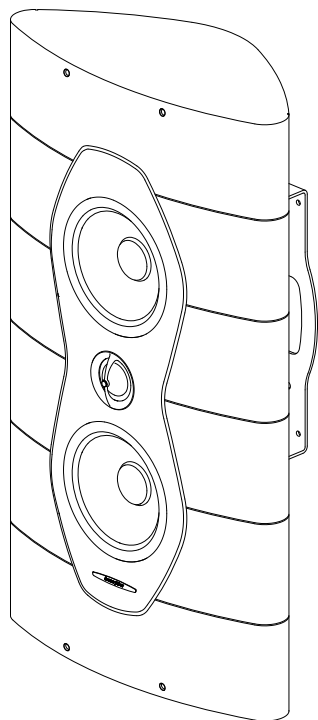


*Sonus faber*

ARTISAN OF SOUND

ON-WALL LOUDSPEAKER



## OLYMPICA NOVA WALL

### DIMENSIONS (HxWxD)

542x308x215 mm  
21,3x12,1x8,4 in

### WEIGHT

9 kg ea  
19,8 lb ea

