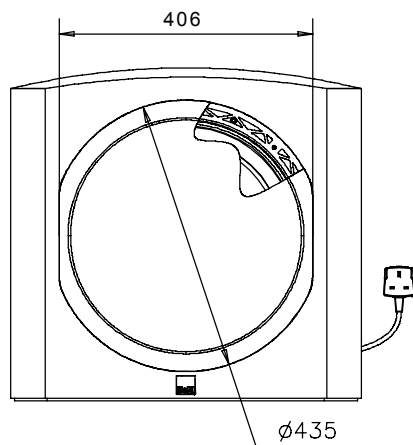
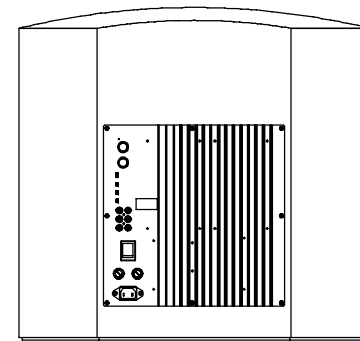
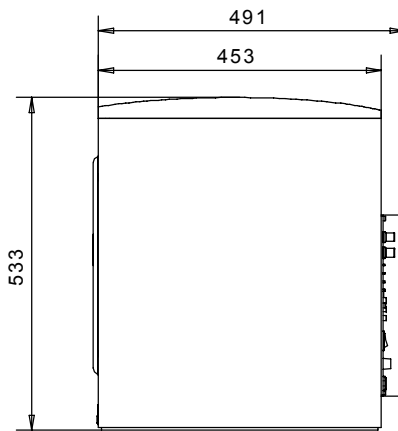
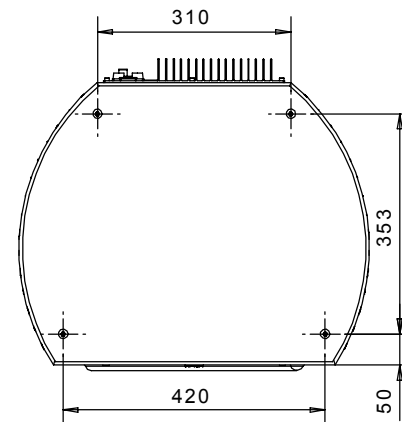
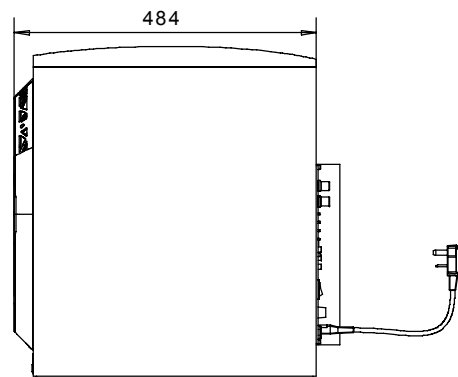
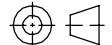


GRILLE OFF



GRILLE ON



|  |  |                        |                                     |                             |   |  |   |
|--|--|------------------------|-------------------------------------|-----------------------------|---|--|---|
| <br>B&W<br>Bowers & Wilkins | DIMENSIONS IN mm<br><b>TOLERANCES</b><br>0. ± 0.5<br>0.0 ± 0.3<br>0.00 ± 0.1<br>ANGLES ± 0.5°<br>UNLESS OTHERWISE STATED | MATERIAL<br><br>FINISH | 2 REDRAWN<br>ISS AMENDMENT<br>TITLE | ECN NO.<br>DATE<br>APPROVAL | COPYRIGHT © 2005<br>DRAWN KW<br>DATE 3.2.05<br>CHECKED / APPROVED | PART NO.<br><b>FP23953</b><br>DRG. NO.<br><b>A7249-1-1</b> | ISS<br>SCALE NTS<br>FULL DRG SIZE <b>A3</b> |
|  | <b>ASW855 LINE DRAWING</b>   |                        |                                     | 23.6.05                     | 2   | 2  | 2   |